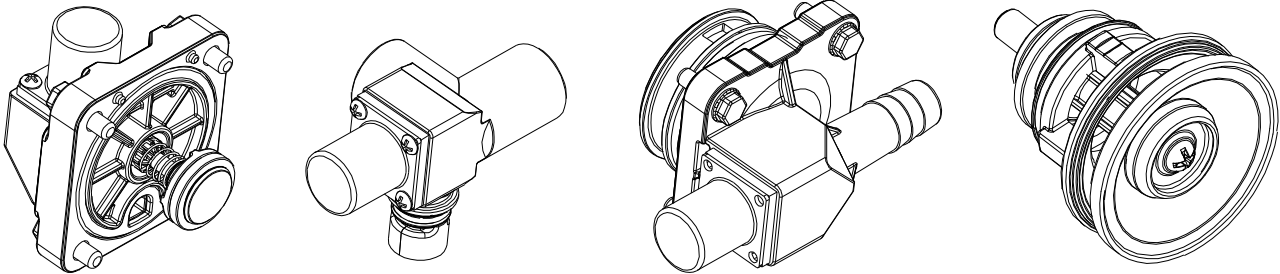
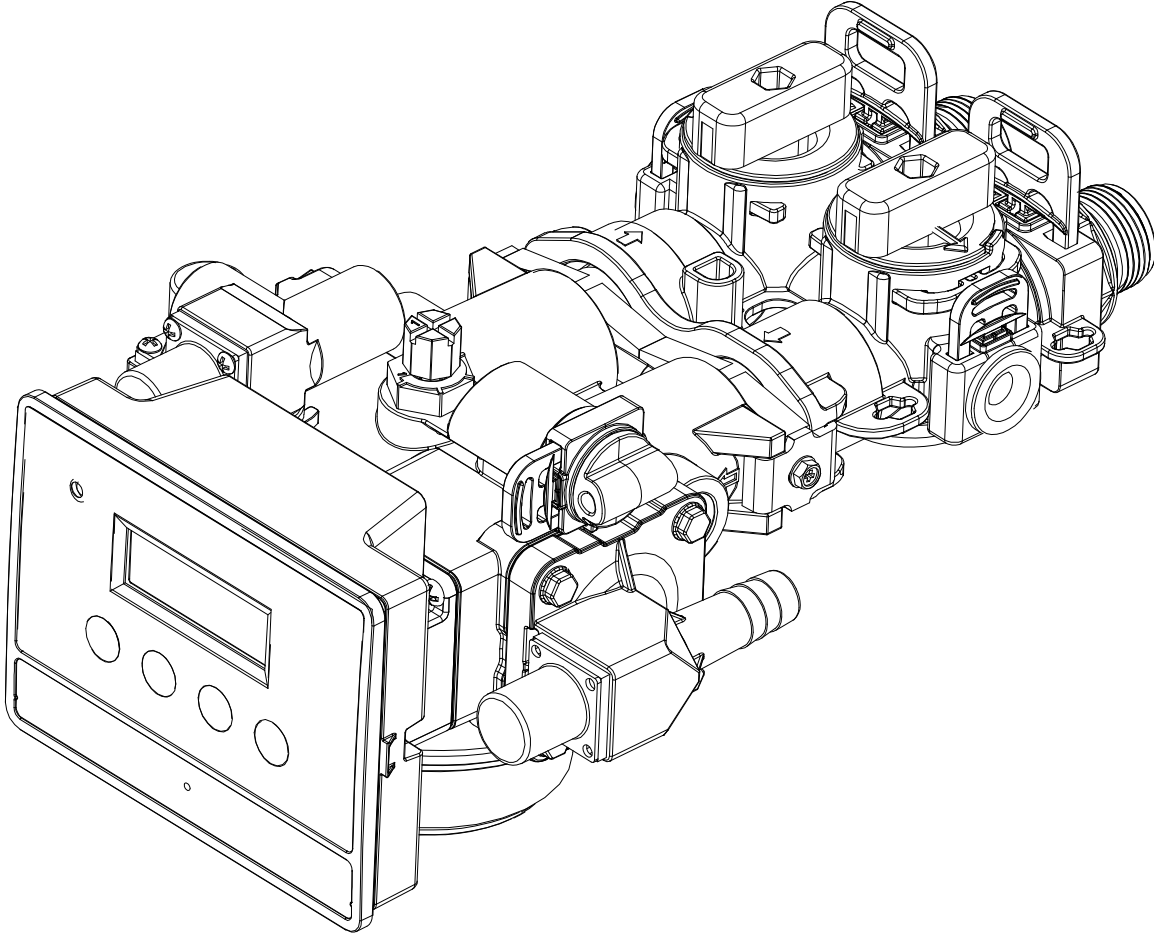


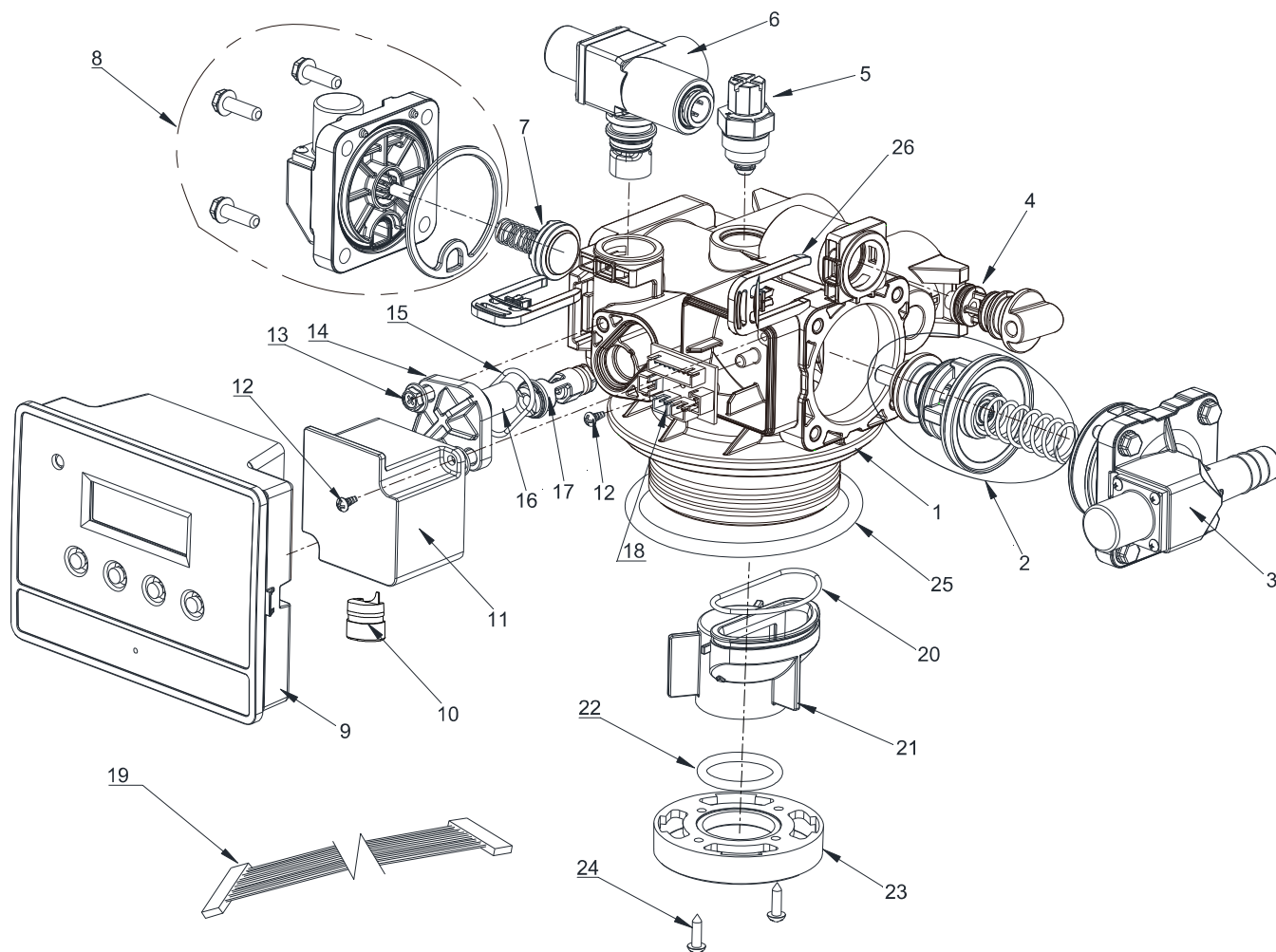
# Control Valve Spare Parts Guide

## VLB590 CONTROL VALVE

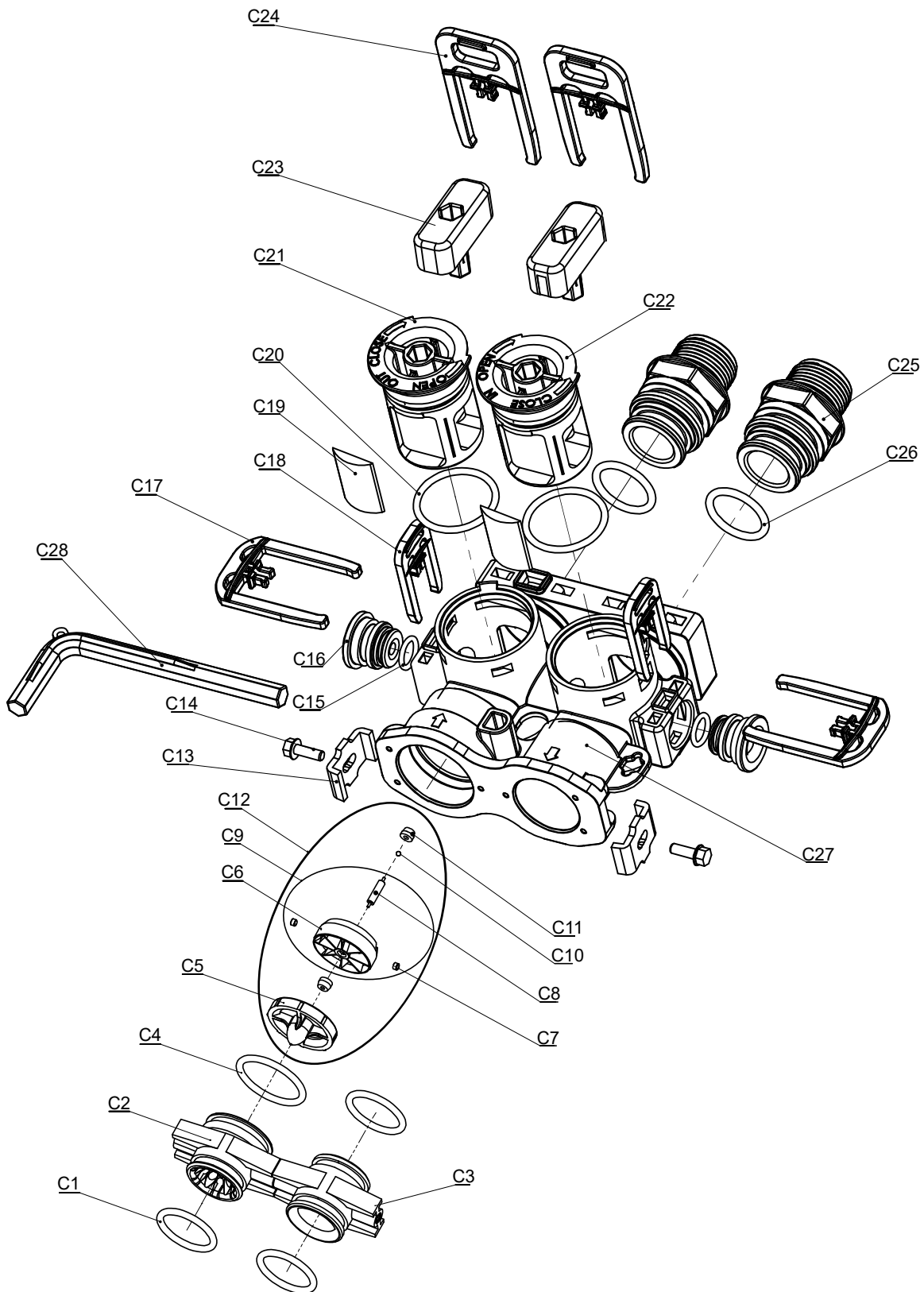


• For VLB590 Control Valve Only

# EXPLODED VIEW OVERVIEW CONTROL VALVE



# BYPASS

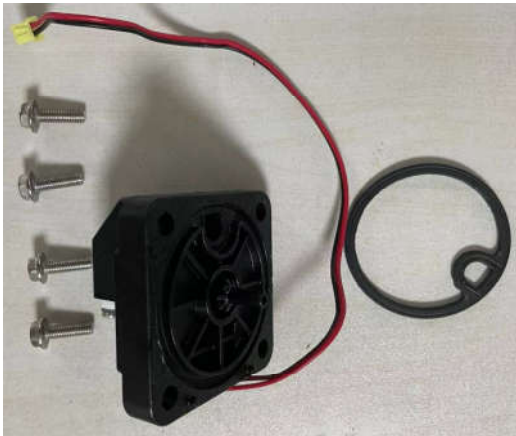


# REGULAR SPARE PARTS LIST

## CONTROL VALVE



Description	Refill Line Connector Assy
Valve Model	VLB590
Valve Type	Up Flow
Parts Included	#6(0.2gpm BLFC included)
Order Number	1200002480



Description	Flush Valve Connector Assy
Valve Model	VLB590
Valve Type	Up Flow
Parts Included	#8
Order Number	1200002491



Description	Check Valve Assy
Valve Model	VLB590
Valve Type	Up Flow
Parts Included	#7
Order Number	1200002489



Description	Drain Line Cover Assy
Valve Model	VLB590
Valve Type	Up Flow
Parts Included	#3
Order Number	1200002479



Description	Drain Line Plug
Valve Model	VLB590
Valve Type	Up Flow
Parts Included	#4(DLFC not included)
Order Number	1200002481



Description	Diaphragm Piston&Spacer Assy
Valve Model	VLB590
Valve Type	Up Flow
Parts Included	#2
Order Number	1200002484



Description	Injector Parts Packet
Valve Model	VLB590
Valve Type	Up Flow
Parts Included	#13,14,15,16,17
Order Number	1200008490



Description	Blending Valve Assy
Valve Model	VLB590
Valve Type	Up Flow
Parts Included	#5
Order Number	1200002466



Description	Tank Mouth O-ring
Valve Model	VLB590
Valve Type	Up Flow
Parts Included	#25
Order Number	3010000509



Description	Central Pipe Adaptor
Valve Model	VLB590
Valve Type	Up Flow
Parts Included	#21
Order Number	1200003648



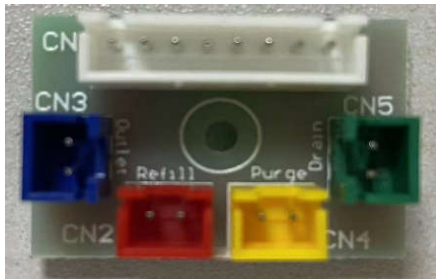
Description	O-ring 34.4×1.8
Valve Model	VLB590
Valve Type	Up Flow
Parts Included	#20
Order Number	3010000609



Description	Conroller PCB
Valve Model	VLB590
Valve Type	Up Flow
Order Number	3010001213



Description	Communication Cable
Valve Model	VLB590
Valve Type	Up Flow
Parts Included	#19
Order Number	3010001188



Description	Relay Board
Valve Model	VLB590
Valve Type	Up Flow
Parts Included	#18
Order Number	3010001214



Description	Meter Cable(430mm)
Valve Model	VLB590
Valve Type	Up Flow
Order Number	3010000922



Description	Meter Cable(730mm)
Valve Model	VLB590
Valve Type	Up Flow
Order Number	3010018962



Description	Power Adaptor(En)
Valve Model	VLB590
Valve Type	Up Flow
Order Number	3010001266



Description	Power Extension Cable
Valve Model	VLB590
Valve Type	Up Flow
Order Number	3010018222



Description	Battery Harness(120mm)
Valve Model	VLB590
Valve Type	Up Flow
Order Number	3010001189



Description	Battery Harness(600mm)
Valve Model	VLB590
Valve Type	Up Flow
Order Number	3010018019



Description	BLFC(0.2 GPM)
Valve Model	VLB590
Valve Type	Up Flow
Order Number	1200003164



Description	DLFC(1.5GPM)
Valve Model	VLB590
Valve Type	Up Flow
Order Number	1200003765

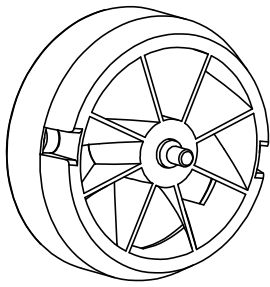


Description	Injector Nozzle(Black)
Valve Model	VLB590
Valve Type	Up Flow
Order Number	1200003776

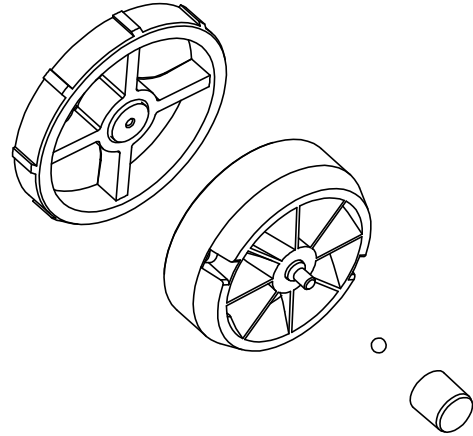


Description	Injector Throat(Black)
Valve Model	VLB590
Valve Type	Up Flow
Order Number	1200003229

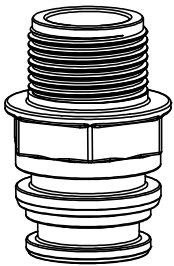
# BYPASS



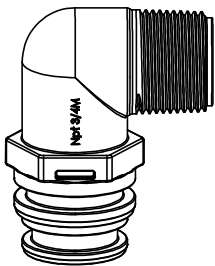
Description	Turbine Meter Assy
Valve Model	VLB590
Valve Type	Up Flow
Parts Included	C9
Order Number	1200001512



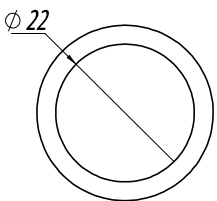
Description	Meter Parts Packet
Valve Model	VLB590
Valve Type	Up Flow
Parts Included	C12
Order Number	1200002081



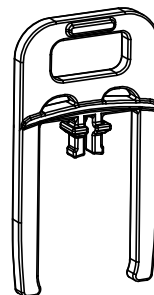
Description	Straight Connection Fitting	
Connection Size	3/4"	1"
Thread Standard	BSP	BSP
Order Number	1200003785	1200002877
Parts Included	C25	



Description	Elbow Connection Fitting	
Connection Size	3/4"	1"
Thread Standard	BSP	BSP
Order Number	1200002918	1200002916
Parts Included	C25	



Description	Inlet & Outlet O-ring
Parts Included	C26
Order Number	3010000539



Description	Secure Clip
Parts Included	C24
Order Number	1200002920