

# Fleck 5600 SXT



## **IMPORTANT SAFETY INSTRUCTIONS**

Read and follow all instructions

Save these instructions

[WWW.PENTAIR.EU](http://WWW.PENTAIR.EU)

# Table of Contents

|          |  |           |
|----------|--|-----------|
| <b>1</b> | <b>Generalities .....</b>  | <b>7</b>  |
| 1.1      | Scope of the documentation .....                                       | 7         |
| 1.2      | Release management .....   | 7         |
| 1.3      | Manufacturer identifier, product .....                                 | 7         |
| 1.4      | Intended use .....   | 8         |
| 1.5      | Abbreviations used .....   | 8         |
| 1.6      | Norms .....  | 8         |
| 1.6.1    | Applicable norms .....   | 8         |
| 1.6.2    | Available certificates .....   | 9         |
| 1.7      | Procedure for technical support .....                                  | 9         |
| 1.8      | Copyright and Trademarks .....   | 9         |
| 1.9      | Limitation of liability .....  | 10        |
| 1.10     | Pentair Scan application .....   | 11        |
| <b>2</b> | <b>Safety.....</b>   | <b>12</b> |
| 2.1      | Safety pictograms definition .....                                     | 12        |
| 2.2      | Serial label location .....  | 13        |
| 2.3      | Hazards .....  | 13        |
| 2.3.1    | Personnel .....  | 13        |
| 2.3.2    | Material .....   | 13        |
| 2.4      | Hygiene and sanitization .....   | 14        |
| 2.4.1    | Sanitary issues .....  | 14        |
| 2.4.2    | Hygiene measures .....   | 14        |
| <b>3</b> | <b>Description .....</b>   | <b>15</b> |
| 3.1      | Technical specifications.....  | 15        |
| 3.2      | Performance flow rate characteristics .....                            | 16        |
| 3.3      | Outline drawing .....  | 17        |
| 3.4      | Components description and location .....                              | 18        |
| 3.5      | System regeneration cycle .....  | 20        |
| 3.5.1    | Downflow regeneration cycle (5-cycles operation) .....                 | 20        |
| 3.5.2    | Upflow regeneration cycle (5-cycles operation).....                    | 22        |
| 3.5.3    | Filter cycle (3-cycles operation) .....                                | 24        |
| 3.6      | Configurations for downflow softener, upflow softener and filter ..... | 26        |
| 3.6.1    | Downflow softener .....  | 26        |
| 3.6.2    | Upflow softener .....  | 27        |
| 3.6.3    | Filter .....   | 28        |
| 3.7      | Options available on the valve .....                                   | 29        |
| <b>4</b> | <b>System sizing.....</b>  | <b>30</b> |

|          |   |           |
|----------|---|-----------|
| 4.1      | Recommended Injector/DLFC/BLFC-Valve configuration..... | 30        |
| 4.2      | Sizing a softener (single unit) .....                   | 30        |
| 4.2.1    | Parameters to be considered .....                       | 30        |
| 4.2.2    | Determining the required volume of resin .....          | 31        |
| 4.2.3    | Resin exchange capacity and capacity of the unit .....  | 32        |
| 4.2.4    | Valve configuration.....                                | 33        |
| 4.2.5    | Cycle time calculation .....                            | 34        |
| 4.3      | Salt amount definition.....                             | 37        |
| 4.4      | Injector flow rates .....                               | 37        |
| 4.4.1    | 1650 injectors .....                                    | 37        |
| <b>5</b> | <b>Installation .....</b>                               | <b>39</b> |
| 5.1      | Warnings .....  | 39        |
| 5.2      | Safety notices for installation .....                   | 39        |
| 5.3      | Installation environment.....                           | 39        |
| 5.3.1    | General.....  | 39        |
| 5.3.2    | Water .....   | 40        |
| 5.3.3    | Electrical .....  | 40        |
| 5.3.4    | Mechanical .....  | 41        |
| 5.4      | Integration constraints .....                           | 41        |
| 5.5      | Block diagram and configuration example .....           | 43        |
| 5.6      | Valve on tank assembly .....                            | 44        |
| 5.7      | Valve connection to piping .....                        | 44        |
| 5.7.1    | Top-mounted valve installation .....                    | 45        |
| 5.8      | Regeneration flows .....                                | 47        |
| 5.9      | Electrical connections .....                            | 48        |
| 5.9.1    | Downflow configuration .....                            | 48        |
| 5.9.2    | Upflow configuration.....                               | 49        |
| 5.10     | Bypassing.....  | 50        |
| 5.11     | Drain line connection .....                             | 50        |
| 5.12     | Overflow line connection.....                           | 52        |
| 5.13     | Brine line connection .....                             | 53        |
| <b>6</b> | <b>Programming .....</b>                                | <b>54</b> |
| 6.1      | Display.....  | 54        |
| 6.2      | Commands .....  | 56        |
| 6.3      | Setting the time of the day (TD) .....                  | 56        |
| 6.4      | Basic programming .....                                 | 56        |
| 6.4.1    | Basic programming mode chart.....                       | 56        |
| 6.4.2    | Day of override (DO) .....                              | 57        |
| 6.4.3    | Regeneration time (RT).....                             | 57        |
| 6.4.4    | Feed water hardness (H).....                            | 57        |
| 6.4.5    | Reserve capacity (RC) or (SF) .....                     | 57        |

|          |  |           |
|----------|--|-----------|
| 6.4.6    | Current day of the week (CD).....                          | 57        |
| 6.5      | Master programming mode.....                               | 58        |
| 6.5.1    | Master programming mode chart.....                         | 58        |
| 6.5.2    | Entering master programming mode.....                      | 60        |
| 6.5.3    | Display format mode (DF).....                              | 60        |
| 6.5.4    | Regeneration flow (RF).....                                | 60        |
| 6.5.5    | Regeneration control type (CT).....                        | 60        |
| 6.5.6    | Number of tanks (NT).....                                  | 61        |
| 6.5.7    | Tank in service (TS).....                                  | 61        |
| 6.5.8    | Unit capacity (C).....                                     | 61        |
| 6.5.9    | Filter capacity (V).....                                   | 62        |
| 6.5.10   | Feedwater hardness (H).....                                | 62        |
| 6.5.11   | Reserve selection (RS).....                                | 62        |
| 6.5.12   | Days override (DO).....                                    | 63        |
| 6.5.13   | Regeneration time (RT).....                                | 63        |
| 6.5.14   | Regeneration cycle step duration.....                      | 64        |
| 6.5.15   | Day of week (Dn, n = 1 to 7).....                          | 64        |
| 6.5.16   | Current day (CD).....                                      | 64        |
| 6.5.17   | Flow meter type (FM).....                                  | 65        |
| 6.5.18   | Meter pulse (K).....                                       | 65        |
| 6.6      | Filter programming.....                                    | 65        |
| 6.7      | Diagnostic.....  | 66        |
| 6.7.1    | Commands.....  | 66        |
| 6.7.2    | Current flow rate (FR).....                                | 66        |
| 6.7.3    | Peak flow rate (PF).....                                   | 66        |
| 6.7.4    | Hours since last regeneration (HR).....                    | 66        |
| 6.7.5    | Volume since last regeneration (VU).....                   | 67        |
| 6.7.6    | Reserve capacity (RC).....                                 | 67        |
| 6.7.7    | Software version (SV).....                                 | 67        |
| 6.8      | Resetting the controller.....                              | 67        |
| 6.8.1    | Soft reset (SR).....                                       | 67        |
| 6.8.2    | Hard reset (HR).....                                       | 68        |
| <b>7</b> | <b>Commissioning.....</b>                                  | <b>69</b> |
| 7.1      | Water filling, draining and waterproofness inspection..... | 69        |
| 7.2      | Sanitization.....  | 70        |
| 7.2.1    | Disinfection of water softeners.....                       | 70        |
| 7.2.2    | Sodium or calcium hypochlorite.....                        | 70        |
| 7.2.3    | Electro chlorination (if present).....                     | 71        |
| <b>8</b> | <b>Operation.....</b>                                      | <b>72</b> |
| 8.1      | Display.....   | 72        |
| 8.1.1    | Display during operation.....                              | 72        |
| 8.1.2    | Display during regeneration.....                           | 72        |
| 8.2      | Recommendations.....                                       | 73        |
| 8.3      | Manual regeneration.....                                   | 73        |
| 8.3.1    | Manual delayed regeneration.....                           | 73        |

|           |   |           |
|-----------|---|-----------|
| 8.3.2     | Immediate regeneration .....  | 73        |
| 8.3.3     | To advance regeneration cycles .....                                  | 73        |
| 8.4       | Operation during a power failure .....                                | 74        |
| <b>9</b>  | <b>Maintenance .....</b>  | <b>75</b> |
| 9.1       | General system inspection .....                                       | 75        |
| 9.1.1     | Water quality .....   | 75        |
| 9.1.2     | Mechanical Checks .....   | 75        |
| 9.1.3     | Regeneration test.....  | 76        |
| 9.2       | Recommended maintenance plan.....                                     | 77        |
| 9.2.1     | Valve used for softening.....   | 77        |
| 9.2.2     | Valve used for filtration.....  | 79        |
| 9.3       | Recommendations .....   | 80        |
| 9.3.1     | Use original spare parts .....  | 80        |
| 9.3.2     | Use original approved lubricants.....                                 | 80        |
| 9.3.3     | Maintenance instructions .....  | 80        |
| 9.4       | Cleaning and maintenance .....  | 80        |
| 9.4.1     | First steps .....   | 80        |
| 9.4.2     | Controller motor replacement .....                                    | 81        |
| 9.4.3     | Controller replacement .....  | 82        |
| 9.4.4     | Power head disassembly/replacement .....                              | 83        |
| 9.4.5     | Piston and/or brine valve and/or seal and spacer kit replacement..... | 84        |
| 9.4.6     | Microswitches and/or drive cam replacement.....                       | 86        |
| 9.4.7     | Brine cam replacement .....   | 87        |
| 9.4.8     | Injector cleaning.....  | 88        |
| 9.4.9     | BLFC cleaning .....   | 89        |
| <b>10</b> | <b>Troubleshooting .....</b>  | <b>90</b> |
| 10.1      | Error detection.....  | 93        |
| 10.1.1    | Motor stall/cam sense error.....                                      | 93        |
| 10.1.2    | Motor run-ON error/cycle sense error.....                             | 94        |
| 10.1.3    | Regeneration failure .....  | 94        |
| 10.1.4    | Memory error .....  | 95        |
| <b>11</b> | <b>Spare parts and options.....</b>                                   | <b>96</b> |
| 11.1      | Valve parts list.....   | 96        |
| 11.2      | Power head parts list.....  | 98        |
| 11.3      | Safety brine valves list .....  | 99        |
| 11.4      | Safety brine valves 2310 parts list .....                             | 100       |
| 11.5      | Bypass valve assembly list .....                                      | 101       |
| 11.5.1    | Plastic bypass (no yoke).....   | 101       |
| 11.6      | Distribution systems parts list .....                                 | 102       |
| 11.7      | Air checks list.....  | 102       |
| 11.8      | Meters parts list.....  | 103       |
| 11.9      | Additional parts list.....  | 103       |

---

|           |                      |            |
|-----------|----------------------|------------|
| <b>12</b> | <b>Disposal.....</b> | <b>105</b> |
|-----------|----------------------|------------|

# 1 Generalities

## 1.1 Scope of the documentation

The documentation provides the necessary information for appropriate use of the product. It informs the user to ensure efficient execution of the installation, operation or maintenance procedures.

The content of this document is based on the information available at the time of publication. The original version of the document was written in English.

For safety and environmental protection reasons, the safety instructions given in this documentation must be strictly followed.

This manual is a reference and will not include every system installation situation. The person installing this equipment should have:

- training in the Fleck series, SXT controllers and water softener installation;
- knowledge of water conditioning and how to determine proper controller settings;
- basic plumbing skills.

This document is available in other languages on <https://www.pentair.eu/product-finder/product-type/control-valves>.

## 1.2 Release management

| Revision | Date       | Authors | Description   |
|----------|------------|---------|---|
| A        | 21.12.2016 | BRY/GJA | First edition.  |
| B        | 01.06.2018 | BRY/FIM | Address change, Bleam information and valve on tank assembly. |
| C        | 12.11.2019 | BRY     | Corrections.  |
| D        | 15.04.2020 | BRY/FIM | Trademarks.   |
| E        | 23.09.2020 | BRY/FLA | Programming corrections.                                      |
| F        | 16.01.2023 | BRY/FIM | Website, scan & service removal.                              |

## 1.3 Manufacturer identifier, product

Manufacturer: Pentair International LLC  
Avenue de Sevelin 20  
1004 Lausanne  
Switzerland

Product: Fleck 5600 SXT

## 1.4 Intended use

The device is intended for domestic applications use only and it is purpose-built for water treatment.

## 1.5 Abbreviations used

|       |                            |
|-------|----------------------------|
| Assy  | Assembly                   |
| BLFC  | Brine Line Flow Controller |
| BV    | Brine Valve                |
| CW    | Cold Water                 |
| DF    | Down Flow                  |
| Distr | Distribution               |
| DLFC  | Drain Line Flow Controller |
| HW    | Hot Water                  |
| Inj   | Injector                   |
| N/A   | Not Available              |
| NBP   | No By Pass                 |
| PN    | Part Number                |
| QC    | Quick connect              |
| Regen | Regeneration               |
| S&S   | Seals & Spacers            |
| SBV   | Safety Brine Valve         |
| STD   | Standard                   |
| SM    | Side Mounted               |
| Sys   | System                     |
| TC    | Time Clock                 |
| TM    | Top Mounted                |
| UF    | Up Flow                    |
| VB    | Valve Body                 |

## 1.6 Norms

### 1.6.1 Applicable norms

Comply with the following guidelines:

- 2006/42/EC: Machinery Directive;
- 2014/35/UE: Low Voltage Directive;
- 2014/30/UE: Electromagnetic compatibility;
- 2011/65/UE: Restriction of use of certain hazardous substances in electrical and electronic equipment (RoHS);
- UNI EN ISO9001.

Meets the following technical standards:

- EN 55014-1;
- EN 55014-2;
- EN 61000-6-1;
- EN 61000-6-2;
- EN 61000-6-3;
- EN 61000-6-4;
- EN 61010-1;
- EN 61000-3-2;
- EN 61000-3-3.

### 1.6.2 Available certificates

- CE;                      Please find beside the certifications for some of our product families. Please note that this list is not an exhaustive list of all our certifications. In case of need for more information please contact us.
- DM174;
- ACS.



## 1.7 Procedure for technical support

Procedure to follow for any technical support request:

1. Collect the required information for a technical assistance request.
  - ⇒ Product identification [see Serial label location [→Page 13] and Recommendations [→Page 80]];
  - ⇒ Description of the device problem.
2. Please refer to the Troubleshooting [→Page 90]. If the problem persists contact your supplier.

## 1.8 Copyright and Trademarks

All indicated Pentair trademarks and logos are property of Pentair. Third party registered and unregistered trademarks and logos are the property of their respective owners.

© 2023 Pentair. All rights reserved.

## 1.9 Limitation of liability

Pentair Quality System EMEA products benefit, under specific conditions, from a manufacturer warranty that may be invoked by Pentair's direct customers. Users should contact the vendor of this product for applicable conditions and in case of a potential warranty claim.

Any warranty provided by Pentair regarding the product will become invalid in case of:

- installation done by a non-water-professional;
- improper installation, improper programming, improper use, improper operation and/or maintenance leading to any kind of product damages;
- improper or unauthorized intervention on the controller or components;
- incorrect, improper or wrong connection/assembly of systems or products with this product and vice versa;
- use of a non-compatible lubricant, grease or chemicals of any type and not listed by the manufacturer as compatible for the product;
- failure due to wrong configuration and/or sizing.

Pentair accepts no liability for equipment installed by the user upstream or downstream of Pentair products, as well as for process/production processes which are installed and connected around or even related to the installation. Disturbances, failures, direct or indirect damages that are caused by such equipment or processes are also excluded from the warranty. Pentair shall not accept any liability for any loss or damage to profits, revenues, use, production, or contracts, or for any indirect, special or consequential loss or damage whatsoever. Please refer to the Pentair List Price for more information about terms and conditions applicable to this product.

## 1.10 Pentair Scan application

Pentair Scan mobile application is the ideal support for the maintenance person in his daily business. A simple scan of the serial label present on the valve with a smartphone gives an instantaneously access to all updated information related to the product, such as:

- valve's and tanks detailed configuration;
- manuals;
- spare parts lists;
- troubleshooting recommendations;
- multi-lingual videos, detailing how to best service a part;
- informations about new products, latest technologies, novelties about the Blue Network program, etc.

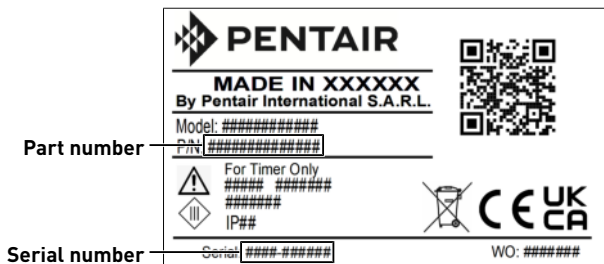
1. Download the application Pentair **Scan** from  or  in a smartphone.

### Mandatory



**The app must be open to scan and identify Pentair products!**

2. Open the Pentair **Scan** application.
3. Either scan the serial number and part number from the product label or enter them manually.
  - ⇒ For serial label location, refer to Serial label location [→Page 13].
4. Navigate to find information.



## 2 Safety

### 2.1 Safety pictograms definition

#### DANGER



This combination of symbol and keyword indicates an imminently hazardous situation that will result in serious or fatal injury if not avoided.

#### WARNING



This combination of symbol and keyword indicates a potentially hazardous situation that can result in serious or fatal injury if not avoided.

#### CAUTION



This combination of symbol and keyword indicates a potentially hazardous situation that can result in minimal or minor injury if not avoided.

#### Caution - material



This combination of symbol and keyword indicates a potentially hazardous situation that can result in material damage if not avoided.

#### Prohibition



Mandatory advice to follow.

#### Mandatory



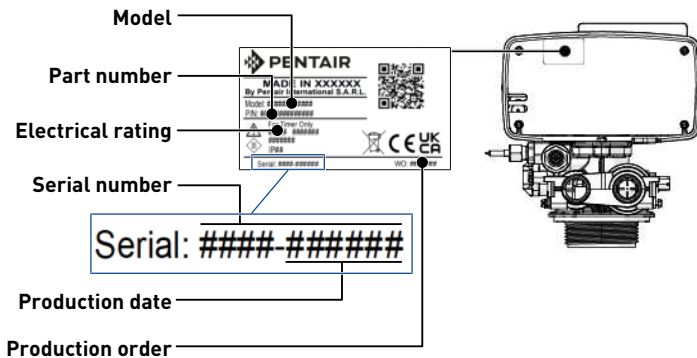
Applicable guideline, measure.

#### Info



Informative comment.

## 2.2 Serial label location



### Mandatory



**Ensure that the serial label and the safety labels on the device are completely legible and clean !**

If necessary, replace them with new labels in the same positions.

## 2.3 Hazards

All the safety and protection instructions contained in this document must be observed in order to avoid temporary or permanent injury, damage to property or environmental pollution.

At the same time, any other legal regulations, accident prevention and environmental protection measures, as well as any recognized technical regulations relating to appropriate and risk-free methods of working which apply in the country and place of use of the device must be adhered to.

Any non-observation of the safety and protection rules, as well as any existing legal and technical regulations, will result in a risk of temporary or permanent injury, damage to property or environmental pollution.

### 2.3.1 Personnel

#### CAUTION



**Risk of injury due to improper handling!**

Only qualified and professional personnel, based on their training, experience and instruction as well as their knowledge of the regulations, safety rules and operations performed, are authorized to carry out necessary work.

### 2.3.2 Material

The following points must be observed to ensure proper operation of the system and the safety of user:

- be careful of high voltages present on the transformer (230 V, 50 Hz);

- do not put your fingers in the system (risk of injuries with moving parts and shock due to electric voltage).

## 2.4 Hygiene and sanitization

### 2.4.1 Sanitary issues

#### Preliminary checks and storage

- Check the integrity of the packaging. Check that there is no damage and no signs of contact with liquid to make sure that no external contamination occurred;
- the packaging has a protective function and must be removed just before installation. For transportation and storage, appropriate measures should be adopted to prevent the contamination of materials or the objects themselves.

#### Assembly

- Assemble only with components which are in accordance with drinking water standards;
- after installation and before use, perform one or more manual regenerations in order to clean the media bed. During such operations, do not use the water for human consumption. Perform a disinfection of the system in the case of installations for treatment of drinking water for human use.

#### Info



**This operation must be repeated in the case of ordinary and extraordinary maintenance.**

It should also be repeated whenever the system remains idle for a significant time.

#### Info



**Valid only for Italy**

In case of equipment used in accordance with the DM25, apply all the signs and obligations arising from the DM25.

### 2.4.2 Hygiene measures

#### Disinfection

- The materials used for the construction of our products meet the standards for use with potable water; the manufacturing processes are also geared to preserving these criteria. However, the process of production, distribution, assembly and installation, may create conditions of bacterial proliferation, which may lead to odor problems and water contamination;
- it is therefore strongly recommended to sanitize the products. See Sanitization [→Page 70];
- maximum cleanliness is recommended during the assembly and installation;
- for disinfection, use Sodium or Calcium Hypochlorite and perform a manual regeneration.

## 3 Description

### 3.1 Technical specifications

#### Design specifications/ratings

|                                |                          |
|--------------------------------|--------------------------|
| Valve body                     | Fiber-reinforced polymer |
| Rubber components              | EP or EPDM               |
| Valve material certification   | DM174, ACS, CE           |
| Weight (valve with controller) | 2 kg (max)               |
| Recommended operating pressure | 1.4 - 8.6 bar            |
| Maximum inlet pressure         | 8.6 bar                  |
| Hydrostatic test pressure      | 20 bar                   |
| Water temperature std          | 1 - 43°C                 |
| Ambient temperature            | 5 -40°C                  |

#### Flow rates (3.5 bar inlet - valve only)

|  |                       |
|--|-----------------------|
| Continuous service flow ( $\Delta p = 1$ bar)    | 4.5 m <sup>3</sup> /h |
| Peak service flow ( $\Delta p = 1.8$ bar)        | 5.9 m <sup>3</sup> /h |
| Cv*  | 5.2 gpm               |
| Kv*  | 4.5 m <sup>3</sup> /h |
| Maximum backwash flow<br>( $\Delta p = 1.8$ bar) | 1.6 m <sup>3</sup> /h |

\*Cv: Flow rate in gpm across the valve at a pressure drop of 1 psi at 60°F.

\*Kv: Flow rate in m<sup>3</sup>/h across the valve at a pressure drop of 1 bar at 15.5°C.

#### Valve connections

|                          |                          |
|--------------------------|--------------------------|
| Tank top mounted adapter | 2½" - 8 NPSM             |
| Inlet/Outlet             | ¾" or 1"                 |
| Riser tube               | 26.7 mm O.D., 1.05" tube |
| Drain line               | ½" O.D.                  |
| Brine line (1650)        | ⅜"                       |

#### Electrical

|                                   |                                  |
|-----------------------------------|----------------------------------|
| Power supply                      | 230 AC, 50/60 Hz, 15 VA          |
| Transformer output voltage        | 24 VAC, 10 VA max.               |
| Motor input voltage.              | 24 VAC                           |
| Controller input voltage          | 24 VAC                           |
| Controller max. power consumption | 5 W                              |
| Protection rating                 | IP 22                            |
| Transient overvoltages            | within the limits of category II |

Pollution Degree 3

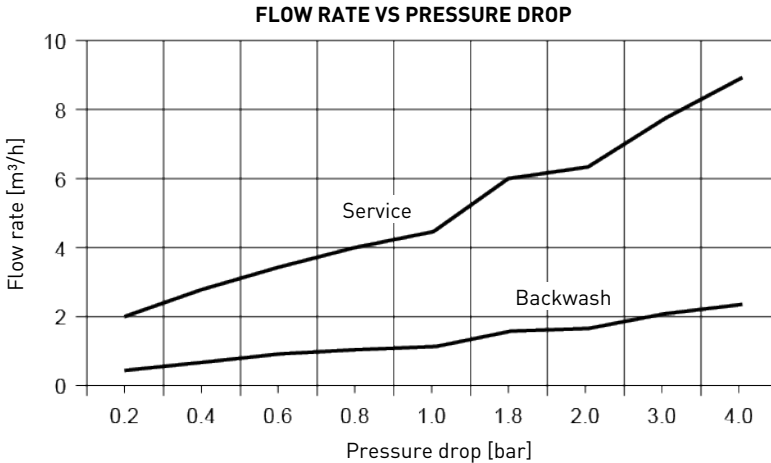
Temporary overvoltages must be limited in duration and in frequency.

**Environmental conditions**

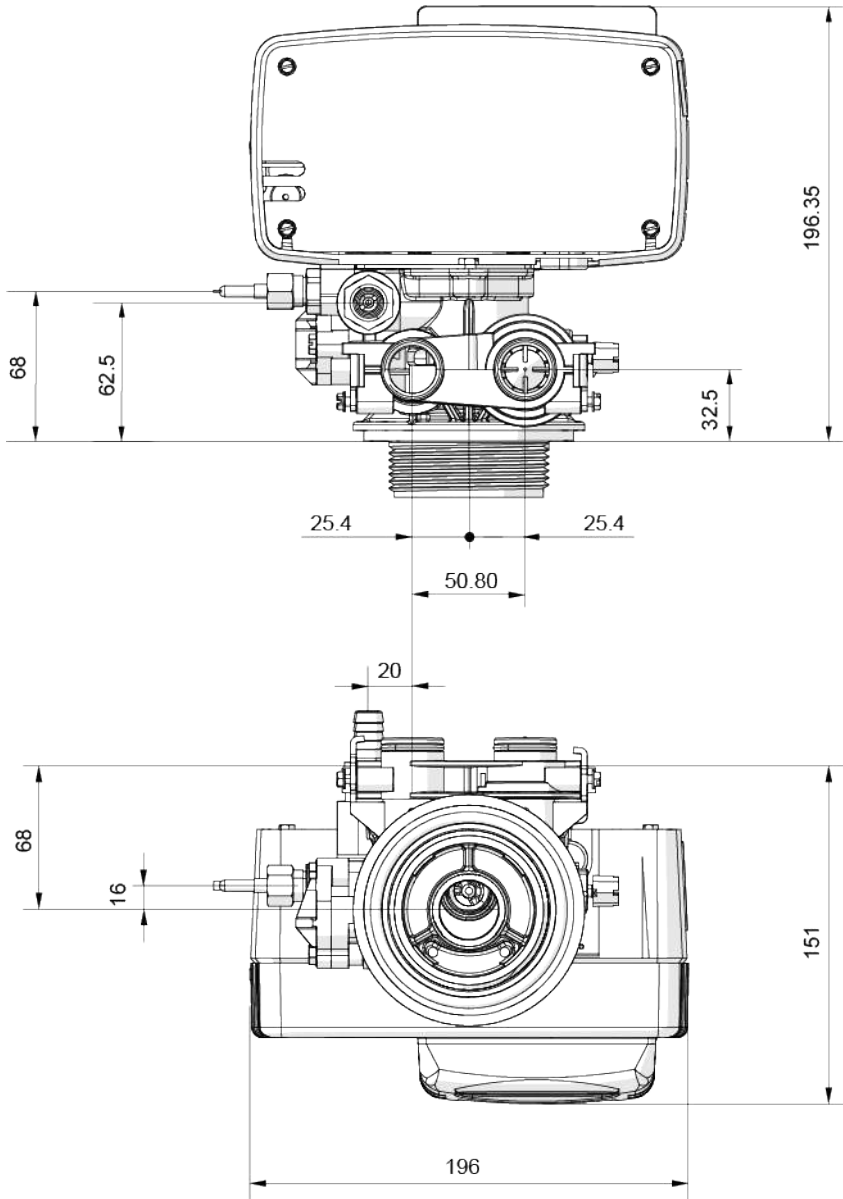
- Indoor use only;
- temperature from 5°C to 40°C;
- maximum relative humidity 80% for temperatures up to 31°C decreasing linearly to 50% relative humidity at 40°C;
- mains supply voltage fluctuations up to ±10% of the nominal voltage.

**3.2 Performance flow rate characteristics**

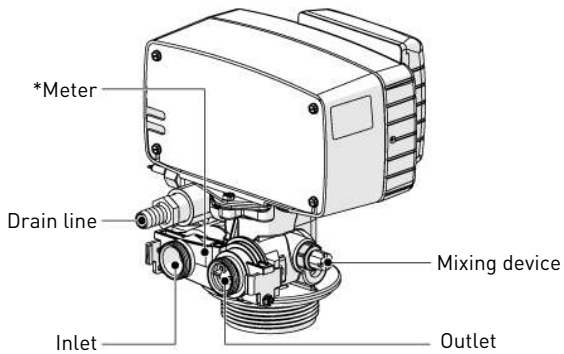
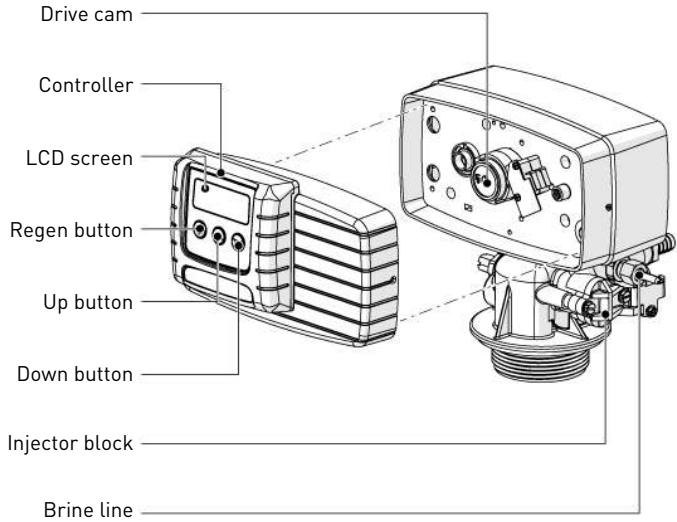
The graph shows the pressure drop created by the valve itself at different flow rates. It allows predetermining the maximum flow rate going through the valve depending on the system settings (inlet pressure etc). It also allows to determine the valve pressure drop at a given flow rate, and therefore to evaluate the system pressure drop vs flow rate.



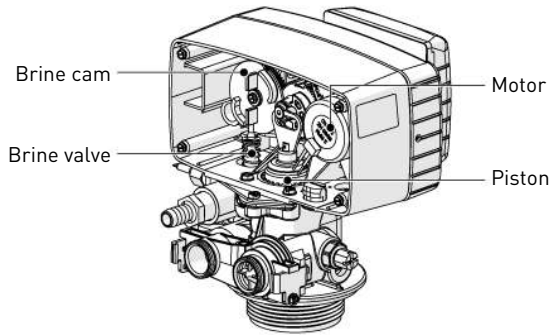
### 3.3 Outline drawing



### 3.4 Components description and location



\*Not included in case of timeclock



## 3.5 System regeneration cycle

### Info



This valve allows to do filtration, down flow and up flow regenerations.

### 3.5.1 Downflow regeneration cycle (5-cycles operation)

#### Service — normal use

Untreated water is directed down through the resin bed and up through the riser tube. The hardness ions attach themselves to the resin and are removed from the raw water by being exchanged on the resin beads by sodium ions. The water is conditioned as it passes through the resin bed.

#### Backwash — cycle C1

The flow of water is reversed by the valve and directed down the riser tube and up through the resin bed. During the backwash cycle, the bed is expanded and debris is flushed to the drain, while the media bed is remixed.

#### Brine draw & slow rinse — cycles C2

The valve directs water through the brine injector and brine is drawn from the brine tank. The brine is then directed down through the resin bed and up through the riser tube to the drain. The hardness ions on the resin beads are replaced by sodium ions and are sent to the drain. The resin is regenerated during the brine cycle. When the air check valve closes, brine drawing finishes, and then, the slow rinse phase starts.

#### Second backwash — cycle C3 (Double backwash units only)

The flow of water is reversed by the valve and directed down the riser tube and up through the resin bed. During the backwash cycle, the bed is expanded and debris is flushed to the drain, while the media bed is remixed.

#### Rapid rinse — cycle C4

The valve directs water down through the resin bed and up through the riser tube to the drain. Any residual brine is rinsed from the resin bed, while the media bed is re-compacted.

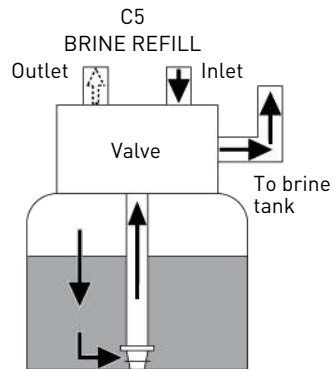
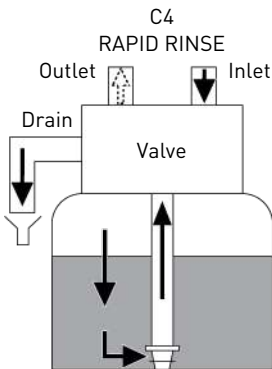
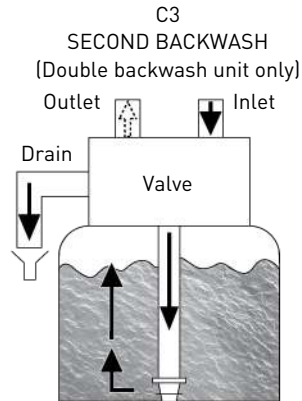
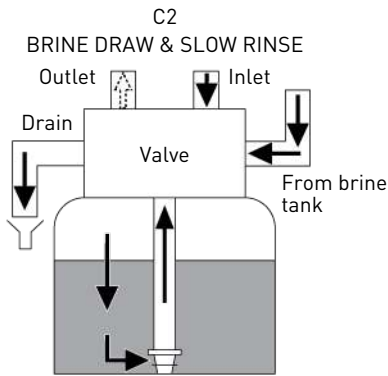
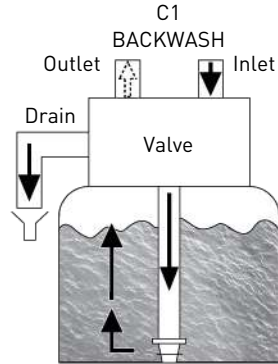
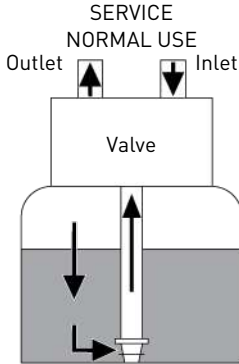
#### Brine tank refill — cycle C5

Water is directed to the brine tank, at a rate controlled by the refill controller [BLFC], to create brine for the next regeneration. During brine refill, treated water is already available at the valve outlet.

### Info



For illustration purpose only. Always verify inlet and outlet marking on the valve.



→ Untreated water

### 3.5.2 Upflow regeneration cycle (5-cycles operation)

#### Service — normal use

Untreated water is directed down through the resin bed and up through the riser tube. The hardness ions attach themselves to the resin and are removed from the raw water being exchanged on the resin beads against sodium ions. The water is conditioned as it passes through the resin bed.

#### Brine draw & slow rinse — cycle C1

The controller directs water through the brine injector and brine is drawn from the brine tank. The brine is then directed down through the riser tube and up through the resin bed to the drain. The hardness ions are replaced by sodium ions and are sent to the drain. The resin is regenerated during the brine cycle. Then the slow rinse phase starts.

#### Backwash — cycle C2

The flow of water is reversed by the valve and directed down through the riser tube and up through the resin bed. During the backwash cycle, the bed is expanded and debris is flushed to the drain, while the media bed is remixed.

#### Rapid rinse — cycle C3

The controller valve directs water down through the resin bed and up through the riser tube to the drain. Any residual brine is rinsed from the resin bed, while the media bed is recompact.

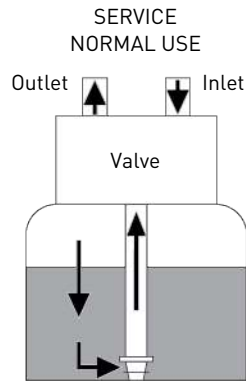
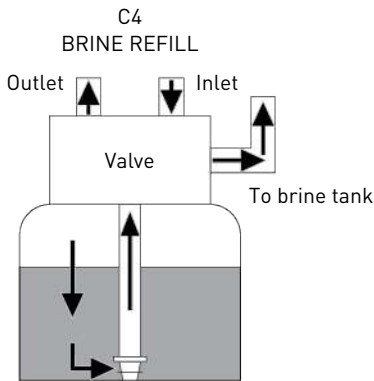
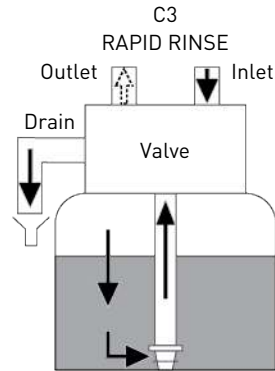
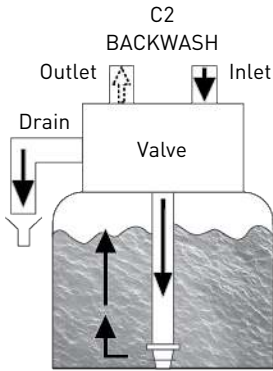
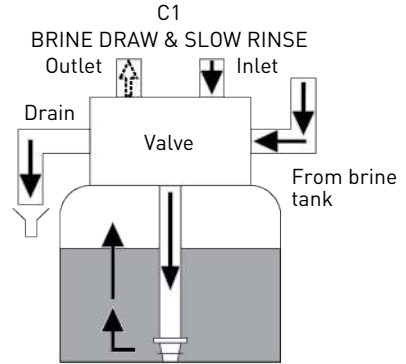
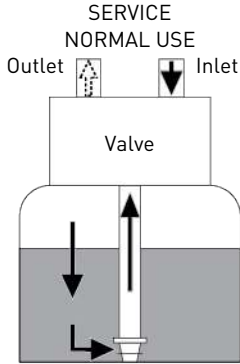
#### Brine tank refill — cycle C4

Water is directed to the brine tank, at a rate controlled by the refill controller [BLFC], to create brine for the next regeneration. During brine refill, treated water is already available at the valve outlet.

#### Info



**For illustration purpose only. Always verify inlet and outlet marking on the valve.**



Unthreated water

### 3.5.3 Filter cycle (3-cycles operation)

#### Service — normal use

Untreated water is directed down through the filter media and up through the riser tube. The impurities are retained by the media. The water is filtered as it passes through the media.

#### Backwash — cycle C1

The flow of water is reversed by the valve and directed down through the riser tube and up through the filter media. During the backwash cycle, the filter bed is expanded and debris is flushed to the drain, while the media bed is remixed.

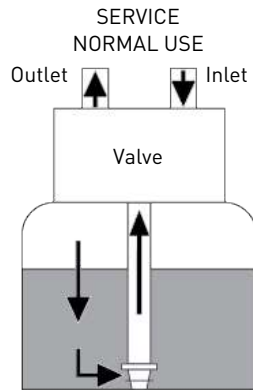
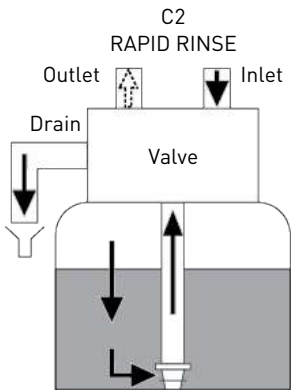
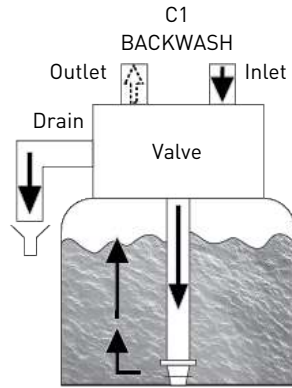
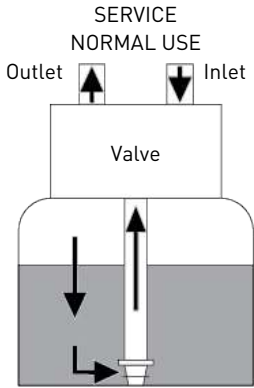
#### Rapid rinse — cycle C2

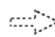
The valve directs water down through the filter media and up through the riser tube to the drain. The media bed is getting re-compacted.

#### Info



**For illustration purpose only. Always verify inlet and outlet marking on the valve.**



 Untreated water

### 3.6 Configurations for downflow softener, upflow softener and filter

To configure the valve as downflow softener, upflow softener or filter, the valve body, the piston and the cycle cam must be set as shown below.

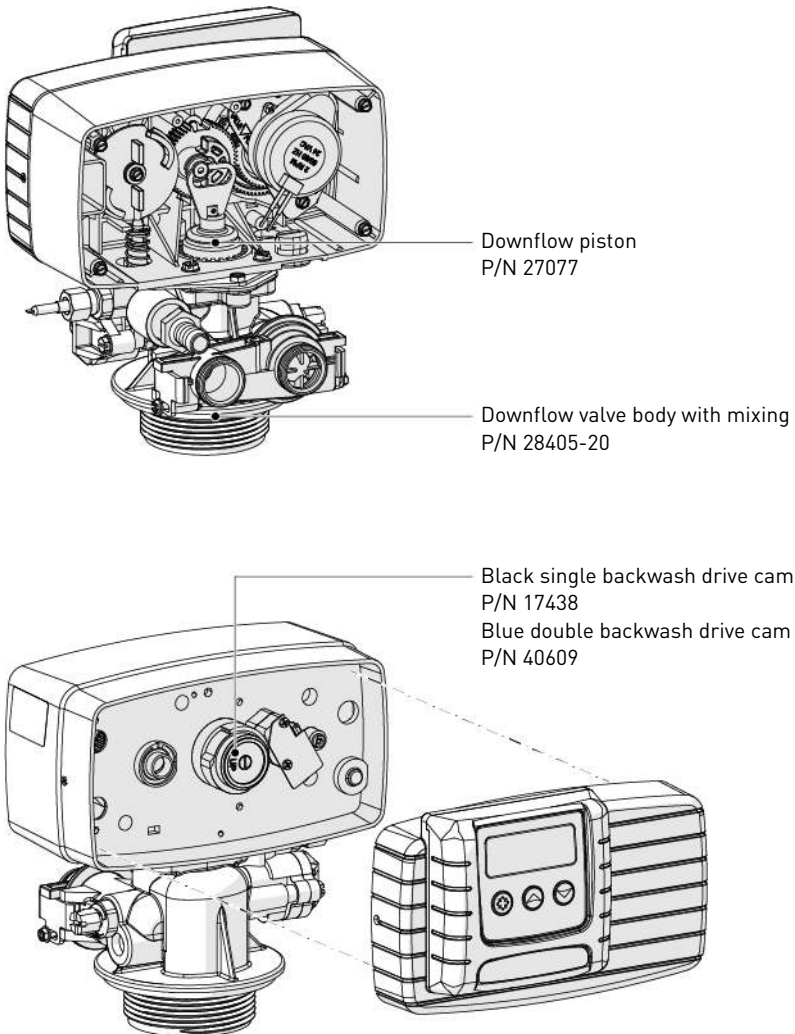
#### Caution - material



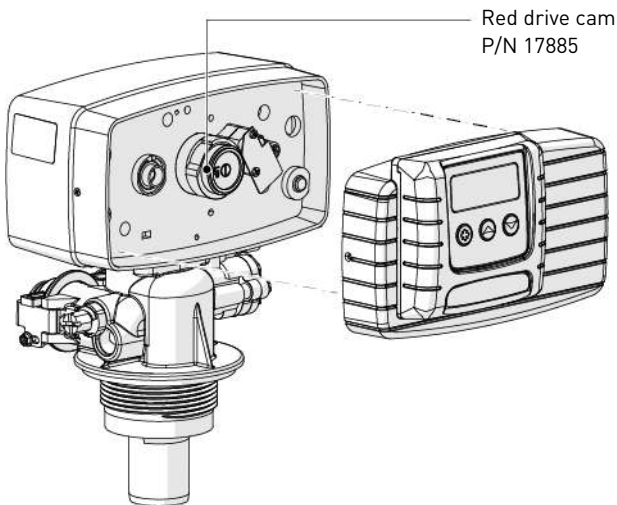
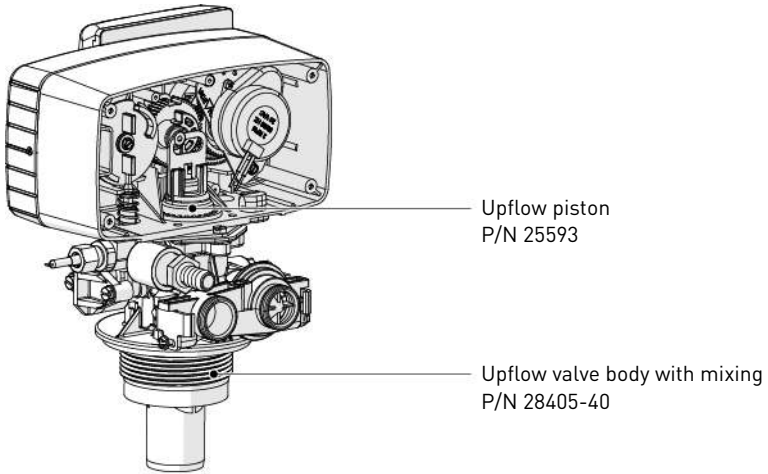
#### Risk of damage due to bad connections !

The electrical connections must also be configured for DF or UF, see Electrical connections [->Page 48].

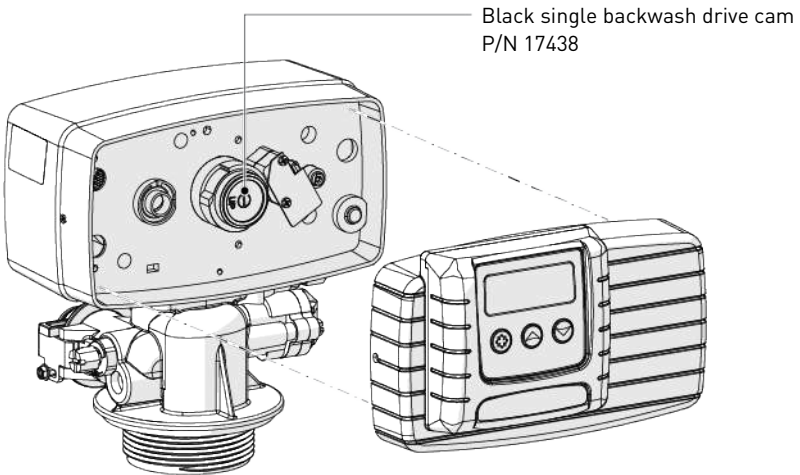
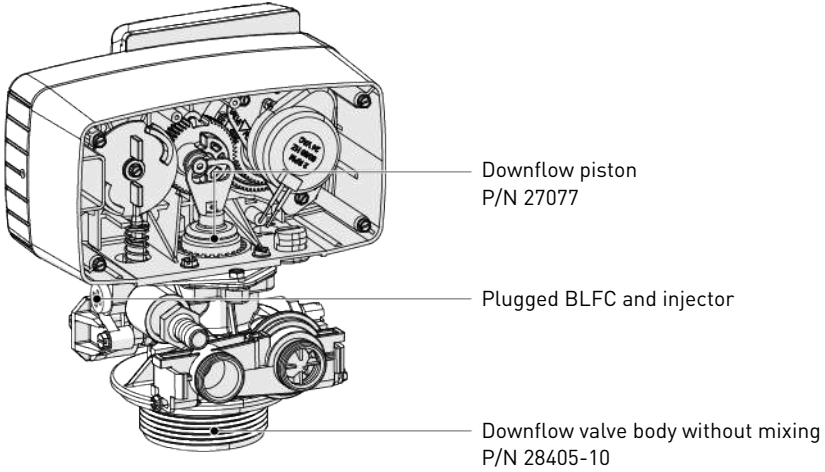
#### 3.6.1 Downflow softener



### 3.6.2 Upflow softener



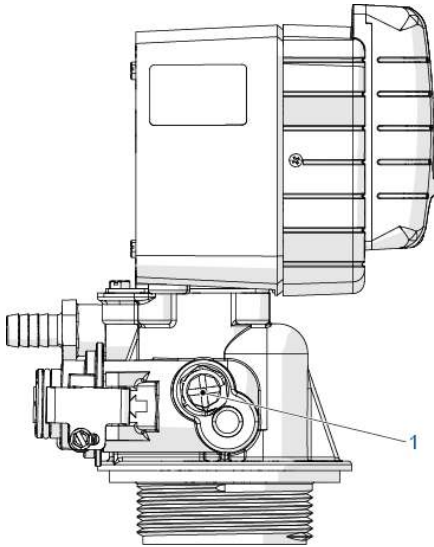
### 3.6.3 Filter



### 3.7 Options available on the valve

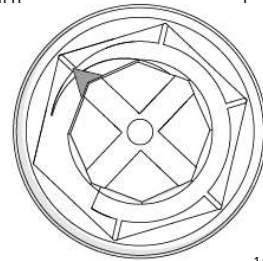
#### Mixing device

The valve can be equipped with a mixing device [1] whose function is to regulate the hardness of the water at the outlet. The mixing can be set from 0% to 50% of hard water (i.e. 0 turn = 0% of hard water with 100% of treated water and 1-½ turn = 50% of hard water with 50% of treated water).



0 turn  
1 turn

¼ turn  
1 - ¼ turn



¾ turn

½ turn  
1 - ½ turn

## 4 System sizing

### 4.1 Recommended Injector/DLFC/BLFC-Valve configuration

| Brine syst.   | Tank Diameter | Resin volume | Injector |       |      |        | DLFC  | BLFC     |          |
|---------------|---------------|--------------|----------|-------|------|--------|-------|----------|----------|
|               | [in]          | L            | DF       | Color | UF   | Color  | [gpm] | DF [gpm] | UF [gpm] |
| 5600/<br>1650 | 5             | 4            | -        | -     | 0000 | Black  | 0.8   | 0.125    | 0.125    |
|               | 6             | 5 - 8        | 0        | Red   | 000  | Brown  |       |          |          |
|               | 7             | 9 - 14       |          |       | 00   | Violet | 1.2   | 0.25     |          |
|               | 8             | 15 - 21      | 1        | White | 0    | Red    | 1.5   |          |          |
|               | 9             | 22 - 28      |          |       |      |        | 2.0   | 0.25     |          |
|               | 10            | 29 - 42      | 2.4      |       |      |        |       |          |          |
|               | 12            | 43 - 56      | 2        | Blue  | 1    | White  | 3.5   | 0.50     | 0.50     |
|               | 13            | 57 - 70      |          |       |      |        | 4.0   |          |          |

#### Info



In upflow configuration, the injector cap is fitted with a pressure regulator set to 1.4 bar.

### 4.2 Sizing a softener (single unit)

#### 4.2.1 Parameters to be considered

Whenever installing a softener, it is preferable to have full water analysis to ensure the inlet water content will not affect the resin bed.

#### Tip



**Please consult your resin manufacturer specification !**

To ensure that no additional pretreatment prior to softening is required.

The below sizing method can be applied for both residential and industrial softeners.

The sizing of a softener must be based upon certain parameters:

- inlet water hardness;
- peak flow rate and nominal flow rate;
- service velocity;
- salt dosage.

The softening and regeneration reactions are driven under certain conditions. To allow these reactions to take place, make sure that the velocity is convenient during the different phases for proper ion exchange. This velocity is given in the resin manufacturer specifications sheet.

Depending on the inlet water hardness, the service velocity for standard softening must be between:

| Service velocity<br>[bed volume per hour] | Inlet water hardness<br>[mg/L as CaCO <sub>3</sub> ] | °f<br>°TH | °dH         |
|---|--|-----------|-------------|
| 8 - 40                                    | <350   | <35       | <19.6       |
| 8 - 30                                    | 350 to 450   | 35 - 45   | 19.6 - 25.2 |
| 8 - 20                                    | >450   | >45       | >25.2       |

**Caution - material**

**Risk of leakage due to unrespected service velocity !**

Failure to respect the service velocity will lead to hardness leakage or even total softener inefficiency.

Note that the water supply piping size may also be useful when estimating the nominal flow rate, since the size of the piping allows a maximum flow rate to pass. Assuming the maximum velocity of water in pipes is about 3 m/s, a good estimation for most common pressure [3 bar] and temperature [16°C] is:

| Piping size (internal diameter) |      | Max. flow rate               |
|---------------------------------|------|------------------------------|
| [in]                            | [mm] | [m <sup>3</sup> /h at 3 m/s] |
| 0.5                             | 12   | 1.22                         |
| 0.75                            | 20   | 3.39                         |
| 1                               | 25   | 5.73                         |
| 1.25                            | 32   | 8.69                         |
| 1.5                             | 40   | 13.57                        |
| 2.0                             | 50   | 21.20                        |
| 2.5                             | 63   | 34.2                         |
| 3.0                             | 75   | 49.2                         |

#### 4.2.2 Determining the required volume of resin

When sizing a softener, make sure that the volume of resin in the tank (bed volume) will be sufficient so that even when the peak flow rate is reached, the velocity is still between the above values depending on the hardness. When sizing a softener, always choose the resin volume and tank size based on the peak flow rate but not on the nominal flow rate.

**Caution - material**

**Risk of leakage due to wrong sizing !**

Sizing on the nominal flow rate without taking the peak flow rate into account would result in choosing smaller tank size and resin volume, and may lead in severe hardness leakage during the service cycle when the peak flow is reached.

The maximum softened water flow rate that a softener can produce is given by the following formula:

$$Q_{\text{service max}} = F_{\text{service}} \times BV$$

with:

$Q_{\text{service max}}$ : service flow rate [ $\text{m}^3/\text{h}$ ]

$F_{\text{service}}$ : service velocity [BV/h]

BV: bed volume of resin [ $\text{m}^3$ ]

Knowing this required volume of resin, it is possible now to determine the needed tank. Note that at least a third of the total volume of the tank must be kept as free space so that the bed expansion during backwash is sufficient to ensure correct cleaning of the resin.

### 4.2.3 Resin exchange capacity and capacity of the unit

The resin exchange capacity and capacity of the unit are two different things that should not be confused. The resin exchange capacity is the amount of  $\text{Ca}^{2+}$  and  $\text{Mg}^{2+}$  that can be retained by 1 litre of resin, which will depend on the resin type and salt dosage, whereas the capacity of the unit is the capacity of the system, which will depend on the volume of resin and resin exchange capacity.

Knowing the required volume of resin, it is possible to determine the exchange capacity of the unit. The capacity of the unit can be expressed in different ways:

- the mass capacity, which corresponds to the weight in equivalent  $\text{CaCO}_3$  that can be fixed on the resin, expressed in kg as  $\text{CaCO}_3$ ;
- the volume capacity, which represents the maximum amount of water that can be treated between 2 regenerations. This last capacity takes into account the hardness of the water to be treated and is expressed in  $\text{m}^3$  or litre;
- the combined capacity, which represents the volume of water that could be treated between 2 regenerations if the inlet hardness is 1 °f or °dH. This capacity is expressed in °f. $\text{m}^3$  or °dH. $\text{m}^3$ .

The resin exchange capacity will depend on the amount of salt to be injected into the resin bed during the regeneration. This amount of salt is given in grams per litre of resin. The next table is showing the resin exchange capacity in function of the amount of salt for a system with standard efficiency regeneration.

Resin exchange capacity as a function of the salt dosage:

| Salt amount<br>[g/L <sub>resin</sub> ] | Corresponding resin<br>exchange capacity<br>[g/L <sub>resin</sub> ] as $\text{CaCO}_3$ | °f. $\text{m}^3$<br>[per L <sub>resin</sub> ] | °dH. $\text{m}^3$<br>[per L <sub>resin</sub> ] |
|--|--|---|--|
| 50                                     | 29.9   | 2.99  | 1.67   |
| 60                                     | 34   | 3.4   | 1.9  |
| 70                                     | 37.5   | 3.75  | 2.09   |
| 80                                     | 40.6   | 4.06  | 2.27   |
| 90                                     | 43.4   | 4.34  | 2.42   |
| 100                                    | 45.9   | 4.59  | 2.56   |
| 110                                    | 48.2   | 4.82  | 2.69   |
| 120                                    | 50.2   | 5.02  | 2.8  |
| 130                                    | 52.1   | 5.21  | 2.91   |

| Salt amount<br>[g/L <sub>resin</sub> ] | Corresponding resin<br>exchange capacity<br>[g/L <sub>resin</sub> ] as CaCO <sub>3</sub> | °f.m <sup>3</sup><br>[per L <sub>resin</sub> ] | °dH.m <sup>3</sup><br>[per L <sub>resin</sub> ] |
|--|--|--|---|
| 140                                    | 53.8   | 5.38   | 3.01  |
| 150                                    | 55.5   | 5.55   | 3.1   |
| 170                                    | 58.5   | 5.85   | 3.27  |
| 200                                    | 62.7   | 6.27   | 3.5   |
| 230                                    | 66.9   | 6.69   | 3.74  |
| 260                                    | 71   | 7.1  | 3.97  |
| 290                                    | 75.3   | 7.53   | 4.21  |

### To calculate the system mass capacity:

$$M_{\text{capacity}} = V_{\text{resin}} \times C_{\text{resin ex}}$$

with:

$M_{\text{capacity}}$ : system mass capacity [g as CaCO<sub>3</sub>]

$V_{\text{resin}}$ : volume of resin [L]

$C_{\text{resin ex}}$ : resin exchange capacity [g/L<sub>resin</sub> as CaCO<sub>3</sub>]

### To calculate the system combined capacity:

$$C_{\text{capacity}} = V_{\text{resin}} \times C_{\text{cor resin ex}}$$

with:

$C_{\text{capacity}}$ : system combined capacity [°f.m<sup>3</sup> or °dH.m<sup>3</sup>]

$V_{\text{resin}}$ : volume of resin [L]

$C_{\text{cor resin ex}}$ : corresponding resin exchange capacity [°f.m<sup>3</sup>/l or °dH.m<sup>3</sup>/l]

### To calculate the system volume capacity:

$$V_{\text{capacity}} = M_{\text{capacity}} / TH_{\text{inlet}}$$

with:

$V_{\text{capacity}}$ : system volume capacity [m<sup>3</sup>]

Or

$M_{\text{capacity}}$ : system mass capacity [g as CaCO<sub>3</sub>]

$C_{\text{capacity}}$ : system combined capacity [°f.m<sup>3</sup> or °dH.m<sup>3</sup>]

$$V_{\text{capacity}} = C_{\text{capacity}} / TH_{\text{inlet}}$$

$TH_{\text{inlet}}$ : inlet water hardness [mg/L as CaCO<sub>3</sub> or °f or °dH]

## Mandatory



**If a mixing device is set on the valve before meter, use  $TH = TH_{\text{INLET}} - TH_{\text{OUTLET}}$  !**

Having determined the previous capacity allows the operator to know the service cycle duration.

### 4.2.4 Valve configuration

Knowing the volume of resin, tank size and specifications of the resin, it is possible to determine the required valve configuration. The resin specification will give the backwash velocity, as well as the brine draw and slow rinse velocity that must be respected in order to ensure a proper

regeneration of the unit. From this data, determine the required backwash flow rate as well as the brine draw and slow rinse flow rate. In most cases, the fast rinse flow rate will be the same as the backwash flow rate, however for certain valve types the fast rinse flow rate will be the same as the service flow rate.

#### To determine the backwash flow rate:

$$Q_{\text{backwash}} = F_{S_{\text{backwash}}} \times S$$

with:

$Q_{\text{backwash}}$ : backwash flow rate [m<sup>3</sup>/h]

$F_{S_{\text{backwash}}}$ : backwash velocity [m/h]

S: Tank cross section area [m<sup>2</sup>]

The DLFC installed on the valve has to limit the backwash flow rate to the above calculated flow rate.

#### To determine the injector size:

The velocities to be respected for brine draw and slow rinse are given on the resin manufacturer specifications. Generally speaking, the injector has to allow a flow rate of about 4BV / h (corresponding to the flow rate of brine being drawn added to the flow rate of raw water passing through the injector nozzle to create the suction effect).

$$Q_{\text{inj}} = 4 \times \text{BV} / \text{h}$$

with:

$Q_{\text{inj}}$ : total flow rate passing through the injector [L/h]

BV: bed volume of resin [L]

#### Info



**This value does not correspond to the brine draw flow rate but to the total flow rate passing through the injector.**

Refer to the injector diagrams at the inlet pressure in order to check if the injector will give a correct flow rate.

See chapters Salt amount definition [[→Page 37](#)] and Injector flow rates [[→Page 37](#)].

### 4.2.5 Cycle time calculation

From this point, the volume of resin, the tank size, the capacity of the softener and the valve configuration are determined. Next step is to calculate the regeneration cycle duration, which depends on the valve configuration and once again on the resin specifications.

#### Info



**Several parameters need, potentially, to be adjusted.**

For cycle time calculation the valve configuration must be known, which depends on:

- the tank size;
- the resin specifications for the velocity for backwashing the resin bed;
- the velocity of water for brine draw, slow rinse and fast rinse.

Further information needed for cycle time calculation are:

- the resin volume previously determined;
- the salt amount used per regeneration;
- the volume of water to use for backwash, brine draw, slow rinse and fast rinse.

#### To calculate the backwash duration:

$$T_{\text{backwash}} = (N_{\text{BVbw}} \times \text{BV}) / Q_{\text{DLFC}}$$

with:

$T_{\text{backwash}}$ : backwash duration [min]

$N_{\text{BVbw}}$ : number of bed volume for backwash

BV: bed volume [L]

$Q_{\text{DLFC}}$ : drain line flow controller size [L/min]

#### Info



**The typical value of the volume of water to be used for backwash is between 1.5 and 4 times the bed volume, depending on the inlet water quality.**

#### To calculate the brine draw duration:

Knowing the injector draw flow rate at the working pressure:

$$T_{\text{brine draw}} = V_{\text{brine}} / Q_{\text{draw}}$$

with:

$T_{\text{brine draw}}$ : brine draw duration [min]

$V_{\text{brine}}$ : brine volume to be drawn [L], see Refill calculation [→Page 36].

$Q_{\text{draw}}$ : injection draw flow rate [L/min]

#### Tip



**Multiply the amount of salt in kg by 3 to get a approximation of the brine volume to draw !**

#### To calculate slow rinse duration:

The volume of water to be used for slow rinse is given in the resin manufacturers specifications. Generally speaking, it is advised that between 2 and 4 BV of water is used to perform the slow rinse after brine draw. The slow rinse cycle allows brine to be pushed slowly through the resin bed, allowing the resin to be in contact with brine for sufficient time and therefore to be regenerated.

Refer to the injector curve at the common working pressure to determine the slow rinse duration.

$$T_{\text{slow rinse}} = (N_{\text{BVsr}} \times \text{BV}) / Q_{\text{SR}}$$

with:

$T_{\text{slow rinse}}$ : slow rinse duration [min]

$N_{\text{BVsr}}$ : number of bed volume for slow rinse

BV: bed volume [L]

$Q_{\text{SR}}$ : injector slow rinse flow rate [L/min]

**To calculate fast rinse duration:**

The fast rinse is aimed at eliminating an excess of salt in the resin bed and also recompacting the resin in the tank.

Depending on the valve type, the fast rinse flow rate is controlled by the DLFC or it has about the same flow rate as in service. The fast rinse velocity can be the same as the service velocity, and the volume of water to be used for the fast rinse is generally between 1 and 10 BV depending on the salt dosage.

$$T_{\text{fast rinse}} = (N_{\text{BVfr}} \times \text{BV}) / Q_{\text{DLFC}}$$

with:

$T_{\text{fast rinse}}$ : fast rinse duration [min]

$N_{\text{BVfr}}$ : number of bed volume for fast rinse

BV: bed volume [L]

$Q_{\text{DLFC}}$ : drain line flow controller size [L/min]

**To calculate the refill duration:**

The refill flow rate is controlled by the refill controller (BLFC). The relation between the BLFC size, the tank size and the resin volume is given in the valve specifications.

To calculate the refill duration:

$$T_{\text{refill}} = V_{\text{WB}} / Q_{\text{BLFC}}$$

with:

$T_{\text{refill}}$ : refill duration [min]

$V_{\text{WB}}$ : Volume of water to be refill to prepare the brine [L]

$Q_{\text{BLFC}}$ : BLFC size [L/min]

with:

$V_{\text{WB}}$ : Volume of water to be refill to prepare the brine [L]

$D_{\text{salt}}$ : Salt dosage per litre of resin [g/L]

BV: Bed volume [L]

$S_{\text{sol}}$ : 360g/L - Solubility of salt per litre of water

$$V_{\text{WB}} = D_{\text{salt}} \times \text{BV} / S_{\text{sol}}$$

**Tip**



**When calculating the time required to draw the brine, take into account that the volume of brine [Vbrine] will be 1.125 bigger than the volume of water refilled !**

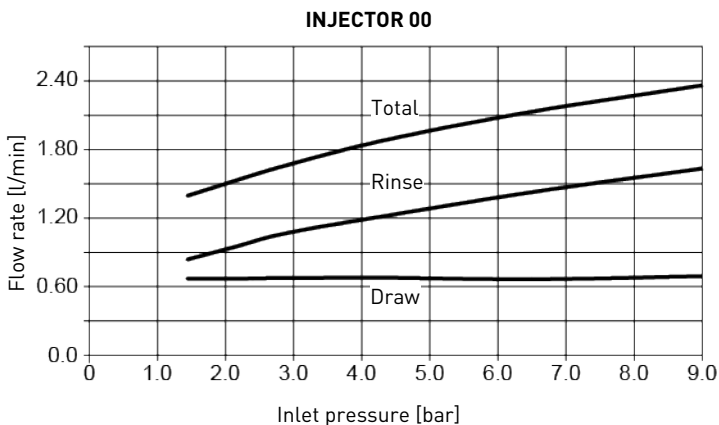
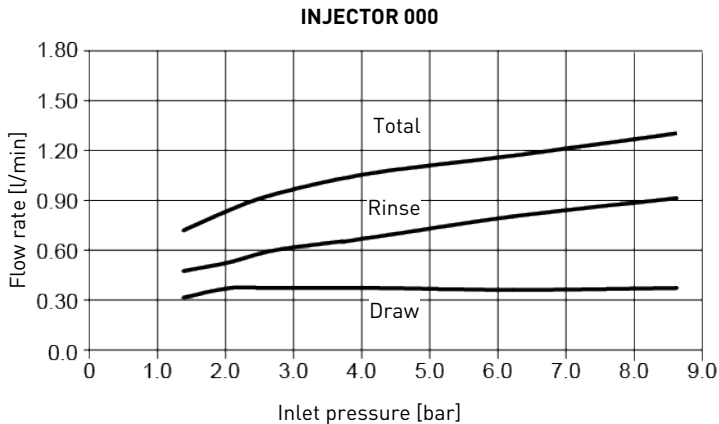
### 4.3 Salt amount definition

The salt settings are controlled through the controller programming. See Resin exchange capacity and capacity of the unit [→Page 32].

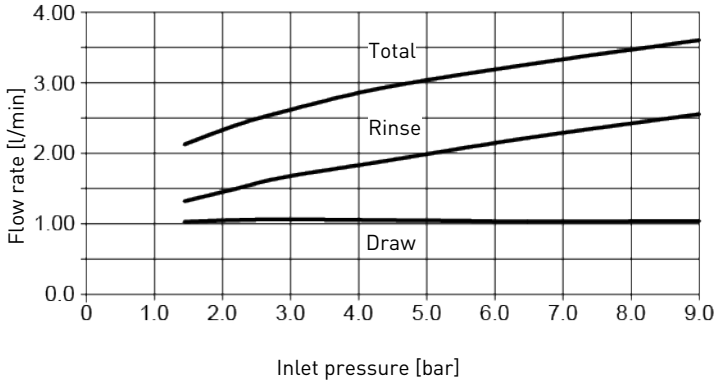
### 4.4 Injector flow rates

The following graphics represent the injectors flow rate as a function of the inlet pressure for the different injector sizes.

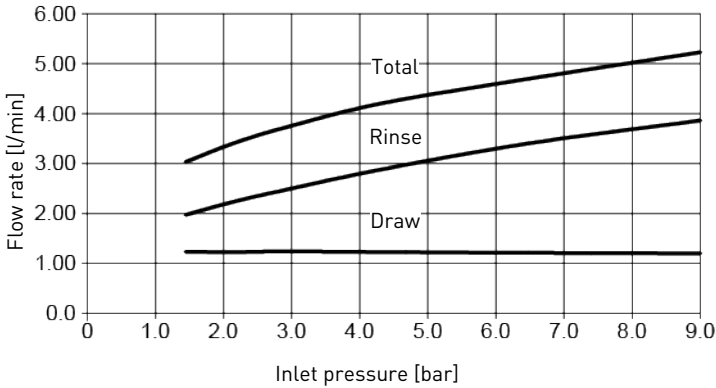
#### 4.4.1 1650 injectors



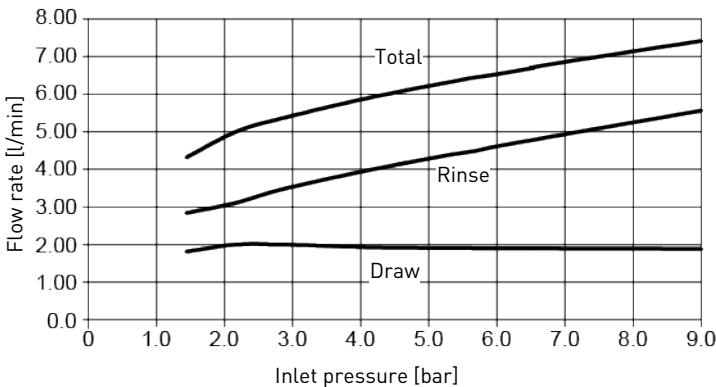
### INJECTOR 0



### INJECTOR 1



### INJECTOR 2



## 5 Installation

### CAUTION



#### **Risk of injury due to electrical shock or pressurized elements !**

It is strictly forbidden for not qualified personal, to accede to system's internal parts to perform any kind of technical action.

Be sure to disconnect the electrical power, close the water inlet and depressurize the system before opening the front cover to access internal parts !

### 5.1 Warnings

The manufacturer will not be held liable for any damages to people or properties resulting from an improper use of the device not compliant with the following instructions.

Whenever this guide doesn't clarify all doubts about installation, service or maintenance, please contact the technical support of the company that has installed the device.

Device installation must be done by a qualified technician according to the current standards and regulations, using tools compliant with a device for a safety use and referring to that technician also for device maintenance.

In case of out of order or malfunction, before performing any kind of action on the device, please ensure to have disconnected the transformer from the power source, to shut off inlet water supply to the valve and to drain water pressure opening a tap down-line of the valve.

1. Be careful when removing the valve from the box and during subsequent handling, weight is liable to cause damage to property and persons in case of accidental impact.
2. Before sending the water on the valve, make sure that all plumbing connections are tight and properly implemented in order to avoid dangerous leaks of pressurized water.
3. Use caution when installing welded metal piping near the valve, the heat may damage the plastic body of the valve and the bypass.
4. Be careful not to let the full weight of the valve on fittings, pipes or bypass.
5. Make sure that the environment in which the valve is installed does not reach freezing temperatures of the water, the valve may be damaged.
6. Make sure that the tank containing the resin is vertical; otherwise the resin could enter in the valve and damage it.

### 5.2 Safety notices for installation

- Observe all warnings that appear in this manual;
- only qualified and professional personnel are authorized to carry out installation work.

### 5.3 Installation environment

#### 5.3.1 General

- Use only brine salts designed for water softening. Do not use ice melt, block, or rock salts;

- keep the media tank in an upright position. Do not turn on its side, upside down, or drop it. Turning the tank upside down may cause media to enter the valve or might clog the upper screen;
- follow State and local codes for water testing. Do not use water that is micro-biologically unsafe or of unknown quality;
- when filling the media tank with water, first place the valve in the backwash position, then partly open the valve. Fill the tank slowly to prevent media from exiting the tank;
- when installing the water connection (bypass or manifold), first connect to the plumbing system. Allow heated parts to cool and cemented parts to set before installing any plastic parts. Do not get primer or solvent on O-rings, nuts, or the valve.

### 5.3.2 Water

- Water temperature must not exceed 43°C;
- a minimum of 1.4 bar (dynamic pressure on injector) of water pressure is required for the valve to operate effectively.

#### Mandatory



**Do not exceed a maximum of 8.6 bar inlet pressure. In such cases, it is necessary to install a pressure regulator upstream the system.**

### 5.3.3 Electrical

There are no user-serviceable parts in the AC/AC or AC/DC transformer, motor, or controller. In the event of a failure, these should be replaced.

- All electrical connections must be completed according to local codes;
- use only the power AC/AC or AC/DC transformer that is supplied;

#### Mandatory



**The use of any other power transformer than the one supplied void the warranty of all electronic parts of the valve!**

- the power outlet must be grounded;
- to disconnect power, unplug the AC/AC or AC/DC transformer from its power source;
- an uninterrupted current supply is required. Please make sure that the voltage supply is compatible with the unit before installation;
- make sure the controller power source is plugged in;
- if the electrical cable is damaged, it is imperative that it is replaced by qualified personnel.

### 5.3.4 Mechanical

#### Caution - material



#### Risk of damage due to wrong lubricant use !

Do not use petroleum-based lubricants such as vaseline, oils, or hydrocarbon-based lubricants.

Use only approved silicone grease or soapy water !

- All plastic connections should be hand-tightened. PTFE (plumber's tape) may be used on connections that do not use an O-ring seal. Do not use pliers or pipe wrenches;
- existing plumbing should be in a good shape and free from limescale. In case of doubt, it is preferable to replace it;
- all plumbing must be completed according to local codes and installed without tension or bending stresses;
- soldering near the drain line should be done before connecting the drain line to the valve. Excessive heat will cause interior damage to the valve;
- do not use lead-based solder for sweat solder connections;
- the riser tube should be cut flush with the top of the tank. Slightly bevel the ridge in order to avoid deterioration of the seal whilst fitting the valve;
- the drain line must be a minimum of 12.7 mm (1/2") in diameter. Use 19 mm (3/4") pipe if the backwash flow rate is greater than 26.5 lpm or the pipe length is greater than 6 m;
- do not support the weight of the system on the valve fittings, plumbing, or the bypass;
- it is not recommended to use sealants on the threads. Use PTFE (plumber's tape) on the threads of the drain elbow, and other NPT/BSP threads;
- the installation of a pre-filter is always recommended (100µ nominal);
- valve inlet/outlet must be connected to main piping via flexible.

## 5.4 Integration constraints

Location of a water treatment system is important. The following conditions are required:

#### CAUTION



**The surface for installation (platform or floor) must be solid, flat and level.**

#### Mandatory



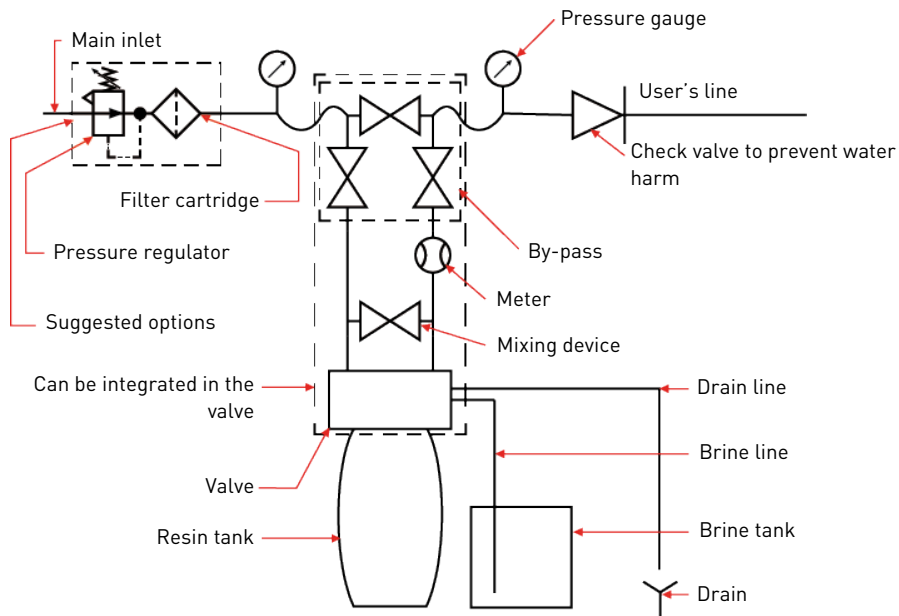
**Drain must be capable of handling a maximum backwash flow rate of 19 L/min.**

- locate the softener as close as possible from drain discharge point and within 12.2 m maximum of drain discharge point, respecting minimum drain line diameter advises given at chapter Drain line connection [→Page 50];
- room to access equipment for maintenance and adding brine (salt) to tank;
- constant electrical supply to operate the controller;

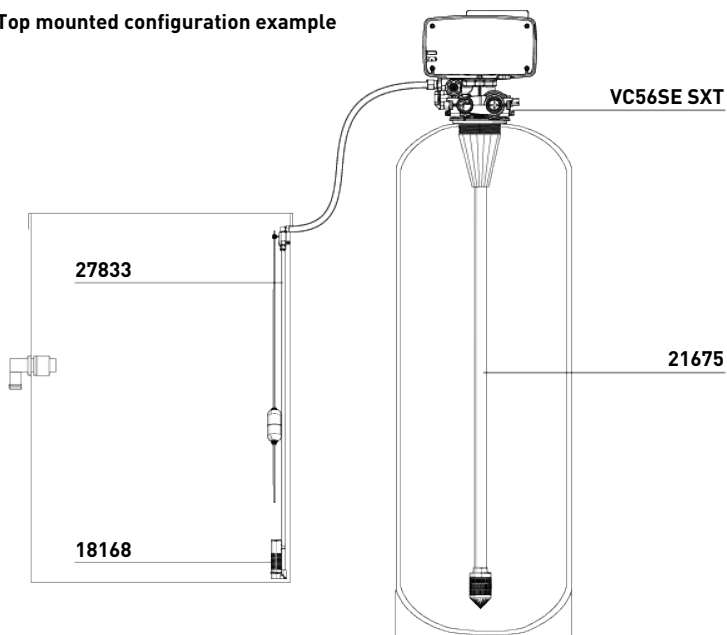
- total minimum pipe run to water heater of 3 m to prevent backup of HW into system;
- always install check valve before water heater to protect the softener from HW return;
- local drain for discharge as close as possible;
- water line connections with shut off or bypass valves;
- must meet any local and state codes for site of installation;
- valve is designed for minor plumbing misalignments. Do not support weight of system on the plumbing;
- use flexible piping to connect main piping to softener;
- be sure all soldered pipes are fully cooled before attaching plastic valve to the plumbing.

## 5.5 Block diagram and configuration example

### Block diagram



### Top mounted configuration example



## 5.6 Valve on tank assembly

1. Lubricate the seals with approved silicone grease.
2. Spin the valve (1) onto the tank (2), ensuring the threads are not cross-threaded.
3. Rotate the valve (1) clockwise and freely, without using force until it comes to a stop.

### Info



**This stop position is considered point zero.**

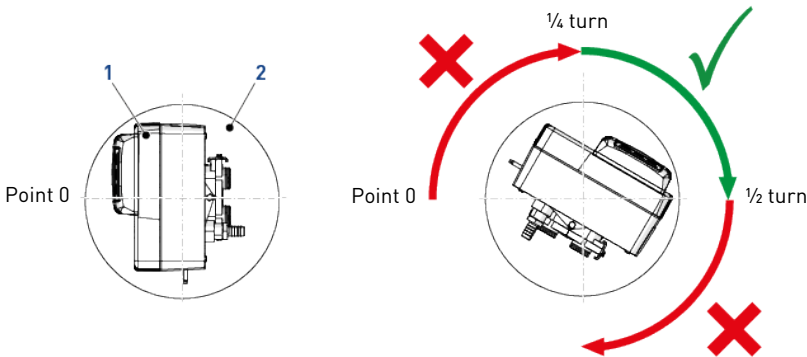
4. Rotate the valve (1) clockwise from point zero to between  $\frac{1}{4}$  turn and  $\frac{1}{2}$  turn.

### Caution - material



**Risk of damage due to excessive force !**

Do NOT exceed 27 Nm of torque when installing the valve. Exceeding this limit may damage the threads and cause failure.



## 5.7 Valve connection to piping

The connections should be hand tightened using PTFE (plumber's tape) on the threads if using the threaded connection type.

In case of heat welding (metal type connection), the connections should not be made to the valve when soldering.

### Tip

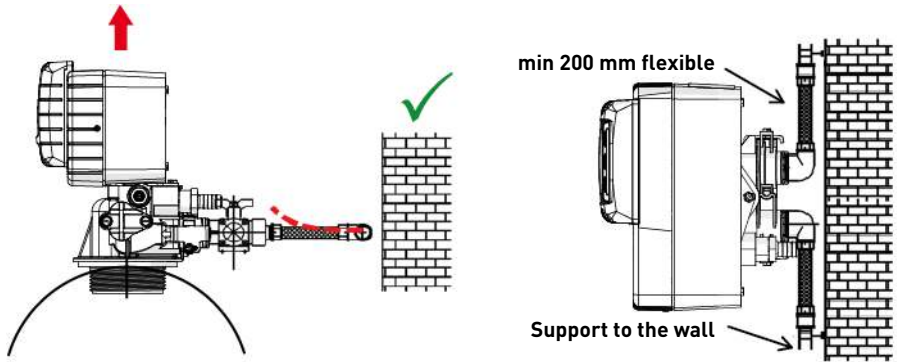


**See chapter Components description and location [→Page 18] to identify the connections.**

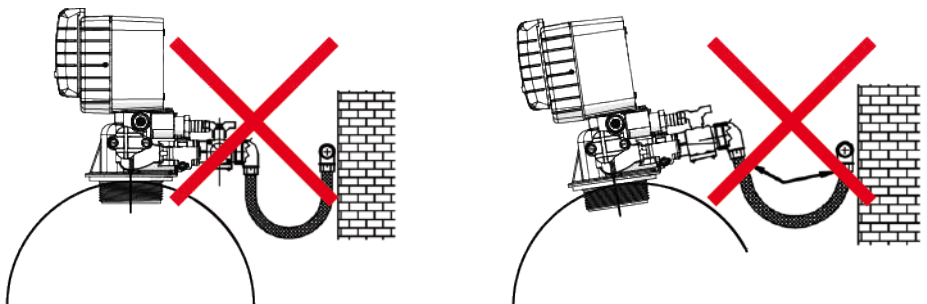
When pressurized, any composite tank will expand both vertically and circumferential. In order to compensate the vertical expansion, the piping connections to the valve must be flexible enough to avoid overstress on the valve and tank.

### 5.7.1 Top-mounted valve installation

The valve and tank should not be supporting any part of the piping weight. This is hence compulsory to have the piping fixed to a rigid structure (e.g. frame, skid, wall...) so that the weight of it is not applying any stress on the valve and tank.



- The diagrams above illustrate how the flexible piping connection should be mounted;
- in order to adequately compensate the tank elongation the flexible tubes must be installed **horizontally**;
- should the flexible piping connection be installed in vertical position, instead of compensating the elongation, it will create additional stresses on the valve & tank assembly. Therefore this is to be avoided;
- the flexible piping connection must also be installed stretched, avoiding excessive length. For instance 20 – 40 cm is enough;
- excessively long and non-stretched flexible piping connection will create stresses on the valve and tank assembly when the system is pressurized, as illustrated in the below picture: on the left the assembly when the system is unpressurized, on the right the flexible piping connection when put under pressure tends to lift up the valve when stretching up. This configuration is even more dramatic when using semi-flexible piping;
- failure to provide enough vertical compensation may lead to different kinds of damage, either on the valve thread which is connected to the tank, or on the female thread connection of the tank. In some cases, damage may also be seen on the valve inlet and outlet connections;



- in any case, any failure caused by improper installations and/or piping connections may void the warranty of Pentair products;
- in the same way, using lubricant\* [→Page 46] on the valve thread is not allowed and will void the warranty for the valve and tank. Indeed using lubricant there will cause the valve to be over-torqued, which may lead to valve thread or tank thread damage even if the connection to piping has been done following the above procedure.

\*Note: Use of petroleum-based grease and mineral based lubricant is totally forbidden, not only on the valve thread, since plastics used (especially Noryl) will highly suffer from contact with this type of grease, leading into structural damage hence to potential failures.

## 5.8 Regeneration flows

### **Metered immediate control**

A meter immediate control measures water usage and regenerates the system as soon as the calculated system capacity is depleted. The control calculates the system capacity by dividing the unit capacity (typically expressed in °TH\*m<sup>3</sup> volume) by the feedwater hardness and subtracting the reserve. Meter Immediate systems generally do not use a reserve volume. A Meter Immediate control will also start a regeneration cycle at the programmed regeneration time if a number of days equal to the regeneration day override pass before water usage depletes the calculated system capacity.

### **Metered delayed control**

A Meter Delayed Control measures water usage and regenerates the system at the programmed regeneration time after the calculated system capacity is depleted. As with Meter Immediate systems, the control calculates the system capacity by dividing the unit capacity by the feedwater hardness and subtracting the reserve. The reserve should be set to ensure that the system delivers treated water between the time the system capacity is depleted and the actual regeneration time. A Meter Delayed control will also start a regeneration cycle at the programmed regeneration time if a number of days equal to the regeneration day override pass before water usage depletes the calculated system capacity.

### **Time clock delayed control**

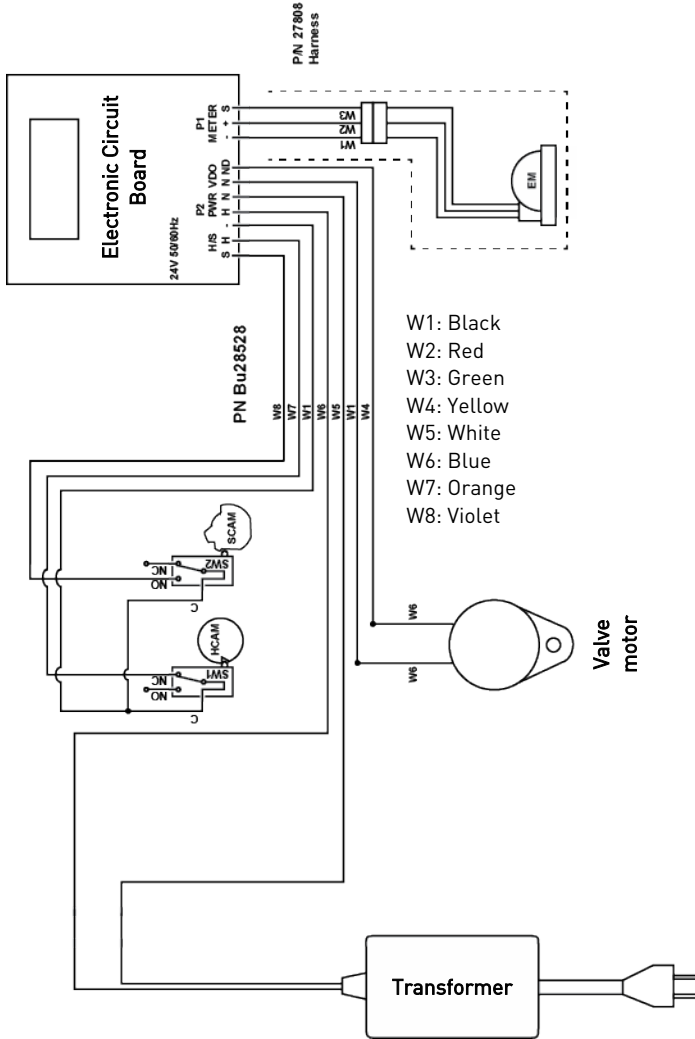
A Time Clock Delayed Control regenerates the system on a timed interval. The control will initiate a regeneration cycle at the programmed regeneration time when the number of days since the last regeneration equals the regeneration day override value.

### **Day of the week control**

This control regenerates the system on a weekly schedule. The schedule is defined in Master Programming by setting each day to either "OFF" or "ON." The control will initiate a regeneration cycle on days that have been set to "ON" at the specified regeneration time.



### 5.9.2 Upflow configuration



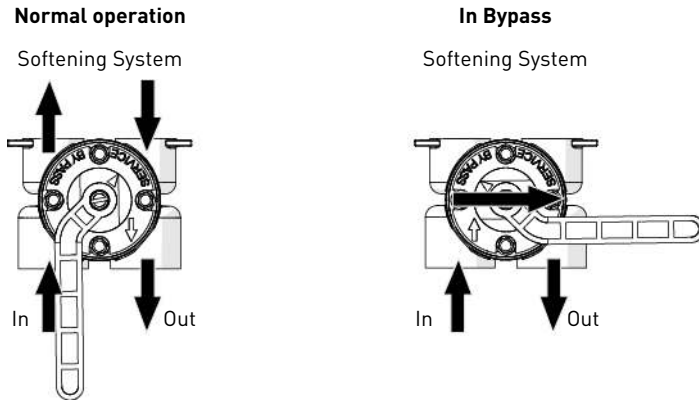
**Info**



The microswitch SW2 is connected on C and NO.

## 5.10 Bypassing

A bypass valve system should be installed on all water conditioning systems. Bypass valves isolate the softener from the water system and allow unconditioned water to be used. Service or routine maintenance procedures may also require that the system is bypassed.



### Caution - material



#### Risk of damage due to bad mounting!

Do not solder pipes with lead-based solder.

Do not use tools to tighten plastic fittings. Over time, stress may break the connections. When the bypass valve is used, only hand tighten the plastic nuts.

Do not use petroleum grease on gaskets when connecting bypass plumbing. Use only 100% silicone grease products when installing any plastic valve. Non-silicone grease may cause plastic components to fail over time.

## 5.11 Drain line connection

### Info



#### Standard commercial practices are expressed here.

Local codes may require changes to the following suggestions.

Check with local authorities before installing a system.

### Mandatory



**The drain line must be build with 1/2" semi rigid or rigid piping ! An air gap must be present at the drain!**

**Caution - material**

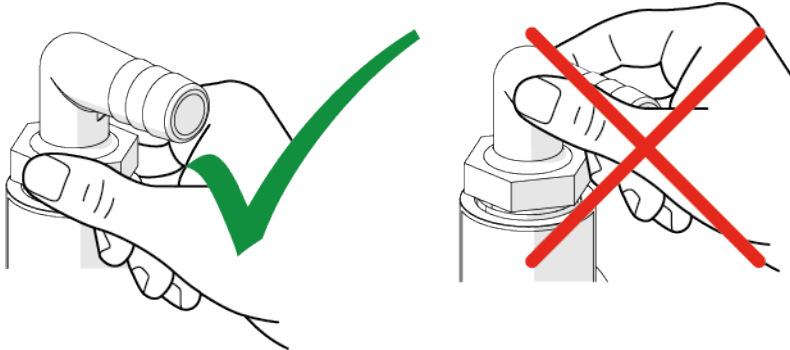


**Risk of damage due to over-force !**

The drain line plastic elbow must always be hand-tighten without using the elbow as a lever.

The drain plastic elbow is not designed to support the weight of the tube. The tube has to have its own support.

Do not over tighten the hose tightening ring on its plastic support.



Preferably, the unit should not be more than 6.1 m from the drain. Use an appropriate adapter fitting to connect plastic tubing to the drain line connection of the valve.

If the backwash flow rate exceeds 22.8 lpm or if the unit is located 6.1-12.2 m from the drain, use 19.0 mm (¾") tubing. Use appropriate fittings to connect the 19.0 mm (¾") tubing to the 12.7 mm (½") drain connection on the valve.

The drain line may be elevated up to 1.8 m providing the run does not exceed 4.6 m and water pressure at the softener is not less than 2.76 bar. Elevation can increase by 61 cm for each additional 0.69 bar of water pressure at the drain connector.

Where the drain line is elevated but empties into a drain below the level of the valve, form a 18 cm loop at the far end of the line so that the bottom of the loop is level with the drain line connection. This will provide an adequate siphon trap.

Where the drain empties into an overhead sewer line, a sink-type trap must be used.

Secure the end of the drain line to prevent it from moving.

**Mandatory**



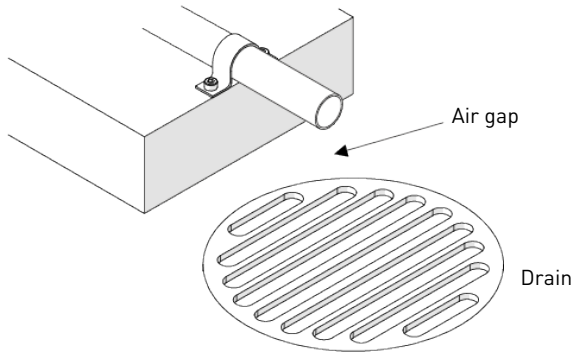
**Waste connections or the drain outlet shall be designed and constructed to provide connection to the sanitary waste system through an air-gap of 2 pipe diameters or 38.1 mm (1½"), whichever is larger.**

**Caution - material**



**Risk of damage due to lack of gap !**

Never insert the drain line directly into a drain, sewer line or trap. Always allow an air gap between the drain line and the waste water to prevent the possibility of sewage being back-siphoned into the softener.



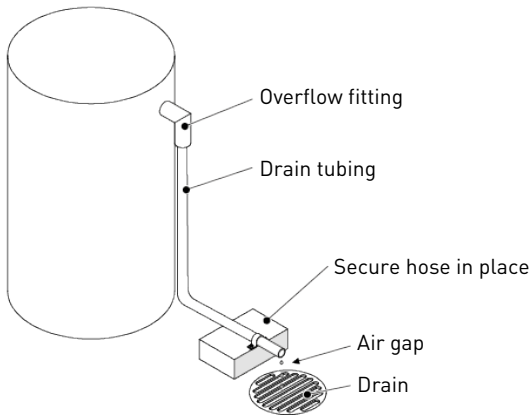
### 5.12 Overflow line connection

In the event of a malfunction, the brine tank overflow fitting will direct “overflow” to the drain instead of spilling on the floor. This fitting should be on the side of the brine tank. Most brine tank manufacturers feature a pre-drilled hole for the tank overflow connector.

To connect the overflow line, locate the hole on the side of the tank. Insert the overflow fitting into the tank and tighten with plastic thumb nut and gasket as shown below. Attach a 12.7 mm [½”] I.D. tubing (not supplied) to fitting and run to drain.

Do not elevate overflow higher than overflow fitting.

Do not tie into the drain line of the controller unit. The overflow line must be a direct, separate line from overflow fitting to drain, sewer or tub. Allow an air gap as per drain line instructions.



**Caution - material**



**Risk of flooding due to lack of floor drain !**

Floor drain is always recommended to avoid flooding in case of overflow.

## 5.13 Brine line connection

### Mandatory



**The brine line must be built with 3/8" semi rigid piping !**

### Caution - material



**Risk of malfunction due to the use of wrong equipment !**

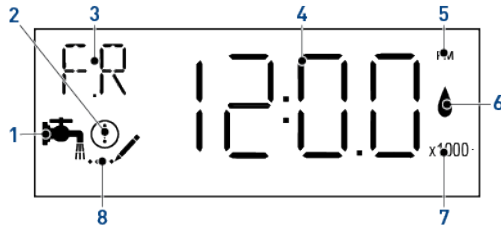
Flexible and semi-flexible hoses may shrink because of the vacuum during brine draw.

The brine line from the tank connects to the valve. Make the connections and hand tighten. Be sure that the brine line is secure and free from air leaks. Even a small leak may cause the brine line to drain out, and the softener will not draw brine from the tank. This may also introduce air into the valve, causing problems with the valve operation.

Brine line must be equipped with brine tank air check in the brine tank.

## 6 Programming

### 6.1 Display



- |   |  |
|---|--|
| <p><b>1.</b> Service icon</p> <p><b>2.</b> Error / Information icon</p> | <ul style="list-style-type: none"> <li>• Appears in service mode;</li> <li>• Flashes if a regeneration cycle has been queued.</li> <li>• Appears in case of error, see Troubleshooting [→Page 90], or in diagnostic mode, see.Diagnostic [→Page 66]</li> </ul> |
|---|--|

### 3. Parameter display

#### Master programming and diagnostic modes:

- C: Unit capacity;
- CD: Current day;
- CT: Regeneration control type;
- DF: Display format;
- Dn, n=1 to 7: Day of week;
- DO: Days override;
- FM: Flow meter;
- FR: Current flow rate;
- H: Feedwater hardness;
- HR: Hours in service;
- K: Meter pulse;
- NT: Number of tanks;
- PF: Peak flow rate;
- RC: Reserve capacity;
- RF: Regeneration flow;
- RS: Reserve selection;
- RT: Regeneration time;
- SF: Safety factor;
- SV: Software version;
- TD: Time of day;
- TS: Tank in service;
- V: Filter capacity;
- VU: Volume used.

#### Regeneration cycles:

- B1: First backwash (for dF2b regeneration flow);
- B2: Second backwash (for dF2b regeneration flow);
- BD: Brine draw;
- BF: Brine fill;
- BW: Backwash;
- RR: Rapid rinse.

### 4. Data display

#### 5. PM indicator

- Appears if controller set in US unit.

#### 6. Flow indicator

- Flashes when outlet flow is detected.

#### 7. x1000 indicator

- Appears when the displayed number is bigger than 9999.

8. Programming
- Appears in programming modes.
- icon

## 6.2 Commands

### Info



Menus are displayed in a defined and incremental order.

If none of the buttons are pushed for 5 minutes in the Programming mode, or if there is a power failure, the controller returns to Service mode without saving.

### Mandatory



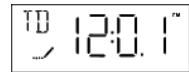
In order to store the new settings in the programming mode, it is necessary to go through all the parameters !

1. Press to pass to the next step.
2. Use and to adjust the values.

## 6.3 Setting the time of the day (TD)

Set the time in the system.

1. Press and hold or until the programming icon replaces the service icon and the parameter display reads TD.
2. Set the time with or .
3. Press to validate the selection and return to the service mode, or wait for 10 seconds.



## 6.4 Basic programming

### 6.4.1 Basic programming mode chart

| Parameter |                        | Options              | Definition         | Note   |
|-----------|------------------------|----------------------|--------------------|--|
| DO        | Days override          | 0 to 99              | Day                | -  |
| RT        | Regeneration time      | 00:00:00 to 23:59:59 | Hour               | Regeneration time will not appear unless regeneration day override is on.    |
| H         | Feedwater hardness     | 1 to 1990            | °TH, ppm or grains | Only displayed for volumetric regenerations.                                 |
| RC        | Fixed reserve capacity | 0 to 50              | %                  | Only displayed for volumetric regenerations and if set in reserve selection. |
| SF        | Safety factor          | 0 to 50              | %                  | Only available if set in reserve selection.                                  |
| CD        | Current day            | 1 to 7               | Day of the week    | -  |

### 6.4.2 Day of override (DO)

Set the maximum number of days of operation without regeneration according to local regulation.

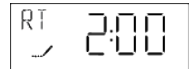
1. Press ▼ and ▲ simultaneously for 5 seconds to enter the menus sequence.
2. Select the number of days of override with ▼ and ▲.
3. Press ↻ to validate the selection and advance to the next parameter.



### 6.4.3 Regeneration time (RT)

Determine the time of regeneration at a time of low or no water usage.

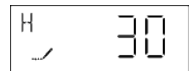
1. Adjust the regeneration time with ▼ and ▲.
2. Press ↻ to validate the selection and advance to the next parameter.



### 6.4.4 Feed water hardness (H)

Set the feed water hardness in °TH.

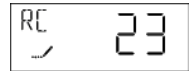
1. Adjust the feed water hardness with ▼ and ▲.
2. Press ↻ to validate the selection and advance to the next parameter.



### 6.4.5 Reserve capacity (RC) or (SF)

Determine the reserve capacity in litre or in percentage.

1. Adjust the reserve capacity with ▼ and ▲.
2. Press ↻ to validate the selection and advance to the next parameter.



### 6.4.6 Current day of the week (CD)

Determine the day of regeneration.

#### Info



**Appears only if the softener is set to "weekly time clock".**

1 for Monday, 2 for Tuesday, 3 for Wednesday, 4 for Thursday, 5 for Friday, 6 for Saturday and 7 for Sunday.

1. Adjust the day of the week with ▼ and ▲.
2. Press ↻ to validate the selection and exit the basic programming mode.



## 6.5 Master programming mode

### Info



**As soon as programming mode is entered, all parameters can be displayed or set to suit the needs.**

Depending on the current programming, some functions will not be displayed or will not be selectable.

### 6.5.1 Master programming mode chart

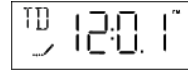
| Parameter |                           | Options                  | Definition             | Note   |
|-----------|---------------------------|--------------------------|------------------------|--|
| DF        | Display format            | GAL                      | US units               | -  |
|           |                           | Ltr                      | Metric units           | -  |
| RF        | Regeneration flow         | dF1b                     | Std DF single backwash | Standard for 9000 Twin valve   |
|           |                           | dF2b                     | Std DF double backwash | -  |
|           |                           | FLtr                     | Filter                 | To be used with standard piston only.                                  |
|           |                           | UFbd                     | UF brine first         | -  |
|           |                           | UFIt                     | UF filter              | To be used with UF piston only.  |
|           |                           | Othr                     | Other                  | -  |
| CT        | Regeneration control type | Fd                       | Metered delayed        | -  |
|           |                           | FI                       | Metered immediate      | Standard for 9000 Twin valve   |
|           |                           | tc                       | Time clock             | -  |
|           |                           | dAY                      | Day of the week        | -  |
| NT        | Number of tanks           | 1                        | Single tank system     | -  |
|           |                           | 2                        | Double tanks system    | -  |
| TS        | Tank in service           | U1                       | Tank 1 in service      | Only displayed for double tanks system.                                |
|           |                           | U2                       | Tank 2 in service      |  |
| C         | Unit capacity             | 0.1 to 9'999             | (°TH/°dH).L x1'000     | Only displayed for volumetric regenerations with <b>DF</b> set in Ltr. |
|           |                           | 1 to 9'999               | x1'000 grains          | Only displayed for volumetric regenerations with <b>DF</b> set in GAL. |
| V         | Filter capacity           | 0.1 to 9'999             | x1'000 L               | Only displayed for filter with <b>DF</b> set in Ltr.                   |
|           |                           | 1 to 9'999<br>1 to 9'999 | GAL<br>x1'000 GAL      | Only displayed for filter with <b>DF</b> set in GAL.                   |

| Parameter |                        | Options              | Definition             | Note   |
|-----------|------------------------|----------------------|------------------------|--|
| H         | Feedwater hardness     | 1 to 1'990           | °TH/°dH                | Only displayed for volumetric regenerations with <b>DF</b> set in Ltr.                                 |
|           |                        | 1 to 199             | grains per gallon      | Only displayed for volumetric regenerations with <b>DF</b> set in GAL.                                 |
| RS        | Reserve selection      | SF                   | Safety factor          | -  |
|           |                        | rc                   | Fixed reserve capacity | -  |
| SF        | Safety factor          | 0 to 50              | %                      | Only available if set in reserve selection.  |
| RC        | Fixed reserve capacity | 0 to 50              | %                      | Only displayed for volumetric regenerations and if set in reserve selection.                           |
| DO        | Days override          | 0 to 99              | Day                    | -  |
| RT        | Regeneration time      | 00:00:00 to 23:59:59 | Hour                   | Regeneration time will not appear unless regeneration day override is on.                              |
| B1        | First backwash         | 0 to 199             | Minute                 | Only displayed for dF2b regeneration flow. In case of dF1b regeneration flow, the screen shows BW.     |
| BD        | Brine draw             |                      |                        | BD consist of time for brine draw and slow rinse.  |
| B2        | Second backwash        |                      |                        | Only shown in dF2b regeneration flow.  |
| RR        | Rapid rinse            |                      |                        | -  |
| BF        | Brine fill             | 0 to 199             | Minute                 | -  |
| BW        | Backwash               |                      |                        | -  |
| Rn        | Cycle number n=1 to 6  |                      |                        | Only if "Othr" is chosen under <b>VT</b> . R1, R2, R3, etc... will be displayed instead.               |
| Dn        | Day of week, n=1 to 7  | ON - OFF             | -                      | Regeneration setting for each day of the week. OFF by default.<br>Not available for 9000 serie valves. |
| CD        | Current day            | 1 to 7               | Day of the week        | Not available for 9000 serie valves  |
| FM        | Flow meter type        | P0.7                 | ¾" paddle wheel        | -  |
|           |                        | t0.7                 | ¾" turbine             | -  |
|           |                        | P1.0                 | 1" paddle wheel        | -  |
|           |                        | t1.0                 | 1" turbine             | -  |
|           |                        | P1.5                 | 1½" paddle wheel       | -  |
|           |                        | t1.5                 | 1½" turbine            | -  |
|           |                        | P2.0                 | 2" paddle wheel        | -  |
|           |                        | Gen                  | Generic or non-Fleck   | -  |

| Parameter |             | Options      | Definition | Note  |
|-----------|-------------|--------------|------------|---|
| K         | Meter pulse | 0.1 to 999.9 | Litre      | Only displayed for generic flow meter type. |

### 6.5.2 Entering master programming mode

1. Press and hold ▼ or ▲ until the programming icon replaces the service icon and the parameter display reads TD.
2. Set the time to 12:01 PM with ▼ or ▲.
3. Press ↻ to validate the selection and return to the service mode, or wait for 10 seconds.
4. Press and hold ▼ and ▲ until the programming icon replaces the service icon and the display format screen appears.



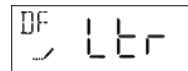
### 6.5.3 Display format mode (DF)

Select the unit of measure.

Options:

- GAL: U.S. gallons and 12-Hour AM/PM;
- Ltr: litres and 24-Hour.

1. Press ▼ or ▲ to select the unit.
2. Press ↻ to validate the selection and move to the next parameter.



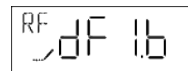
### 6.5.4 Regeneration flow (RF)

Select the regeneration flow.

Options:

- dF1b: standard downflow single backwash (standard);
- Othr: other;
- UFtr: upflow filter (for 5000 filter);
- UFBd: upflow brine first;
- FLtr: filter, to be used with standard piston only (except 5000);
- dF2b: standard downflow double backwash.

1. Press ▼ or ▲ to select the regeneration flow.
2. Press ↻ to validate the selection and move to the next parameter.



### 6.5.5 Regeneration control type (CT)

Select the regeneration controller type.

Options:

- Fd: meter delayed;
- FI: meter immediate;

- tc: time clock;
  - dAY: day of the week.
1. Press or to select the regeneration control type.
  2. Press to validate the selection and move to the next parameter.



### 6.5.6 Number of tanks (NT)

Select the number of tanks.

Options:

- NT 1: single tank system;
- NT 2: double tanks system.

#### Mandatory



**Due to the 5600 valve being designed for single tank system only, set valve type to 1.**

1. Press or until "---1" is displayed.
2. Press to validate the selection and move to the next parameter.

### 6.5.7 Tank in service (TS)

#### Info



**This parameter appears only if number of tanks (NT) is set to 2.**

If it appears, the 5600 valve being a single tank system, go back to number of tanks (NT) and set it to 1.

### 6.5.8 Unit capacity (C)

Set the unit capacity.

#### Mandatory



**Enter the capacity of the media bed in m<sup>3</sup> x °TH or g as CaCO<sub>3</sub> for softener system (C is displayed in the upper left corner) or in litres for filter (V is displayed in the upper left corner) !**

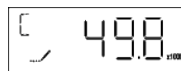
#### Info



**The unit capacity parameter is only available if the controller type has been programmed for volumetric regeneration.**

The unit capacity can be set from 0.1 to 9'999 x1'000 °TH.L if **DF** = Ltr or from 1 to 9'999 x1'000 grains if **DF** = GAL.

1. Press or to select the unit capacity.
2. Press to validate the selection and to move the next parameter.



### 6.5.9 Filter capacity (V)




Set the filter capacity.

#### Info



**The filter capacity parameter is only available if the regeneration flow has been programmed for filter.**

The filter capacity can be set from 0.1 to 9'999 x1'000 Ltr if **DF** = Ltr or from 1 to 9'999 -> 1 to 9'999 x1'000 grains if **DF** = GAL.

1. Press  or  to select the filter capacity.
2. Press  to validate the selection and to move the next parameter.



### 6.5.10 Feedwater hardness (H)

Set the feedwater hardness.

#### Mandatory






**Enter the feedwater hardness in °TH, ppm or grains of hardness for softener system !**

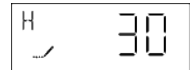
#### Info



**The feedwater hardness parameter is only available if the controller type has been programmed for volumetric regeneration.**

The feedwater hardness can be set from 1 to 1'990 °TH/dH if **DF** = Ltr, or 1 to 199 in grains per gallon if **DF**=GAL.

1. Press  or  to set the feedwater hardness in accordance with display format (DF), see Display format mode (DF) [→Page 60].
2. Press  to validate the selection and to move the next parameter.



### 6.5.11 Reserve selection (RS)

#### Info






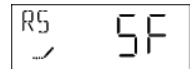
**This parameter is not useful when regeneration control type (CT) is set to FI.**

Set the reserve type.

Options:

- SF: safety factor;
- rc: fixed reserve capacity.

1. Press  or  to set the reserve type.
2. Press  to validate the selection and move to the next parameter.






### 6.5.11.1 Safety factor (SF)

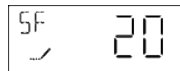
**Info**



**This parameter is not shown if RS is set to RC.**

The safety factor can be set from 0 to 50% of the initial volumetric capacity.

1. Press  or  to set the reserve type.
2. Press  to validate the selection and move to the next parameter.






### 6.5.11.2 Reserve capacity (RC)

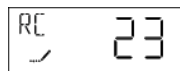
**Info**



**This parameter is not shown if RS is set to SF.**

The fixed reserve capacity can be set up to a volume equivalent to 50% of the initial volumetric capacity.

1. Press  or  to set the reserve type.
2. Press  to validate the selection and move to the next parameter.



### 6.5.12 Days override (DO)

Set the maximum number of days between regeneration cycles.

**Info**



**This parameter allows setting the maximum amount of days that the system can stay in service mode without regeneration.**




**Mandatory**



**In time clock mode, this parameter must be set and the controller will need at least one regeneration day activated.**

Setting the parameter to "OFF" disables this function.

The number of days can be set from OFF, or 1 to 99 days.

1. Press  or  to set the days override.
2. Press  to validate the selection and move to the next parameter.



### 6.5.13 Regeneration time (RT)

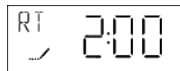
Set the regeneration time.

**Info**



**Regeneration time is the time of the day when regenerations occur for delayed re-generation of any type and calendar override regeneration.**

1. Press ▼ or ▲ to set the regeneration time.
2. Press ↻ to validate the selection and move to the next parameter.



### 6.5.14 Regeneration cycle step duration

Set the duration in minutes of each regeneration cycle.

#### Info



**Setting a cycle step to 0 will cause the controller to skip that step during regeneration, but keeps the following steps available.**

**The different regeneration cycles are listed in sequence based on the regeneration flow selected for the system.**

**All cycles can be set from 0 to 199 minutes.**

#### 6.5.14.1 Regeneration abbreviations

|    |                 |    |             |
|----|-----------------|----|-------------|
| B1 | First backwash  | BF | Brine fill  |
| B2 | Second backwash | BW | Backwash    |
| BD | Brine draw      | RR | Rapid rinse |

#### 6.5.14.2 For pre-set regeneration cycles

1. Press ▼ or ▲ to set the regeneration cycle time.
2. Press ↻ to validate the selection and move to the next parameter.
3. Repeat the two previous steps for each cycle.



### 6.5.15 Day of week (Dn, n = 1 to 7)

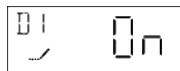
Set the day of week for regeneration.

#### Info



**The day of week parameter is only available if "day" mode has been set in controller type selection.**

1. Press ▼ or ▲ to set "ON" or "OFF" to set the day as a regeneration day.
2. Press ↻ to validate the selection.
3. Repeat the two previous steps until **D7** is set.
4. Press ↻ to validate the selection and move to the next parameter.



### 6.5.16 Current day (CD)

Set the current day.

**Info**


The current day is defined from D1 (Monday) to D7 (Sunday).

1. Press ▼ or ▲ to set the current day.
2. Press ↻ to validate the selection and move to the next parameter.



### 6.5.17 Flow meter type (FM)

Select the flow meter type.

Options:

- P0.7: ¾" paddle wheel meter (Standard setting for 4600, 5600 and 9100);
- t0.7: ¾" turbine meter;
- P1.0: 1" paddle wheel meter (Standard setting for 2750 and 9000);
- t1.0: 1" turbine meter;
- P1.5: 1½" paddle wheel meter (Standard setting for 2850);
- t1.5: 1½" turbine meter;
- P2.0: 2" paddle wheel meter;
- Gen: generic or other non-Fleck meter.

1. Press ▼ or ▲ to set the flow meter type.
2. Press ↻ to validate the selection and move to the next parameter or exit master programming mode and save modifications done.



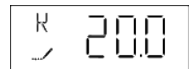
### 6.5.18 Meter pulse (K)

Set the meter pulse for a non-standard flow meter.

**Info**


The meter pulse parameter is only available if the Gen option has been set in flow meter type selection.

1. Press ▼ or ▲ to set the meter constant in pulses per unit of volume.
2. Press ↻ to validate the selection and to exit the master programming mode.



## 6.6 Filter programming

To use the valve as a filter, in the master programming mode, set the regeneration flow (VT) to filter (FLtr). The controller will let set only the steps necessary to the filter mode, which are: regeneration control type (CT), days override (DO), regeneration time (RT), backwash (BW), rapid rinse (RR), day of week (Dn) and current day (CD).

## 6.7 Diagnostic


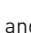



### Info



Depending on current settings, some displays cannot be viewed.

If none of the buttons are pushed for 1 minute in the diagnostic mode the controller returns to Service mode.

### 6.7.1 Commands

1. Press and hold  and  for five seconds to enter the diagnostic mode.
2. Press  or  to navigate in the diagnostic mode.
3. Press  to exit the Diagnostic mode at any time.

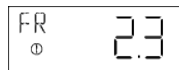
### 6.7.2 Current flow rate (FR)

#### Info



The display is updated every second.

1. Current flow rate display (L/min or gpm depending on display format programmed):



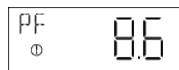
### 6.7.3 Peak flow rate (PF)

#### Info



The controller registers the highest flow rate (L/min) since the last regeneration.

1. Peak flow rate display:



### 6.7.4 Hours since last regeneration (HR)

#### Info



Shows the number of hours since the last regeneration, indicating the length of the current service cycle.

1. Hours since last regeneration display:



### 6.7.5 Volume since last regeneration (VU)

**Info**



Shows the volume used since the last regeneration (L).

1. Volume since last regeneration display (L or Gal depending on display format programmed):



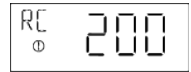
### 6.7.6 Reserve capacity (RC)

**Info**



Shows the remaining reserve volume until next regeneration (L).

1. Volume until next regeneration display (L or Gal depending on display format programmed):



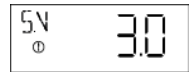
### 6.7.7 Software version (SV)

**Info**



Shows the version of the software used by the controller.

1. Software version display:



## 6.8 Resetting the controller

**Mandatory**



Once you have completed this operation, check all programming steps !

**Info**





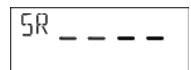
There are two options to reset: partial and hard reset.

Partial reset will set all the parameters to default values, except volume remaining in volumetric systems and days since last regeneration in time clock systems.


Hard reset will set all the parameters to default values.

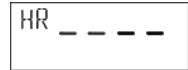
### 6.8.1 Soft reset (SR)

1. Press and hold  and  for 25 seconds while in normal service mode until SR is displayed.
2. Reprogram all parameters in Master programming mode.



## 6.8.2 Hard reset (HR)

1. Hold  while powering up the unit.
2. The display shows **HR**.
3. Reprogram all parameters in Master programming mode.



## 7 Commissioning

### Info



**This chapter is available for standard regeneration flows. Contact your supplier if the actual regeneration is not standard and if you need assistance.**

### 7.1 Water filling, draining and waterproofness inspection

1. With the bypass still in bypass position (inlet and outlet of the valve closed), plug in the SXT controller to the power source.
2. Proceed to programming according to your system specification if not done yet.
3. Start a manual regeneration by pressing the regen button for 5 seconds. The piston will move into backwash position. If the first cycle is not backwash, quick cycle the valve until the piston is in backwash position. Once in this position, unplug the SXT controller from the power source.
4. With the bypass still in bypass position, open the nearest faucet close to the system.
5. Put the bypass slowly in service position. The valve and tank will slowly get filled with raw water, allowing air to be purged by the drain and/or by the open faucet next to the system. Open the inlet progressively until fully open position.
6. Once the drain runs clear and the bypass valve is fully in service position, plug in again the SXT controller to the power source.
7. Push on the regen button once to move the piston to the next regeneration cycle position. Leave the valve 1 minute in each positions and move to the next one, until refill cycle is displayed. When refill cycle is displayed, let the valve run the entire cycle and check the level of water in the brine tank or cabinet. The level of water in the brine tank should be about 5 cm above the salt platform. You may want to mark the level on the brine tank as this can be used as an indicator for the future lifetime of the softener.
8. Once refill cycle is completed, the valve will automatically go back into service position (unless non-standard regen sequence is programmed). Start again a manual regeneration by pressing for 5 seconds on the regen button. The valve will move to backwash position.
9. Press the regen button once to move to brine draw position. Check to see in the brine tank if the water level decreases.
10. Once the draw function is observed and confirmed (level of water in the brine tank or cabinet has decreased), you may go through each cycle pushing on the regen button until refill cycle, leave the water come back to the "full" level, and then push on the regen button so that the valve returns into service position.
11. Fill the brine tank or cabinet with salt. You may want to mark the level of water in the brine tank/cabinet when completely refilled with water and full of salt. In the future, after each regeneration, you can visually control that the quantity of water refilled should be between the 2 marks done. Marking are optional, but may allow to visually detecting any irregularity during regeneration that may lead to softener inefficiency.
12. With the brine tank completely refilled and full of salt, adjust the safety brine valve in the brine well. Make sure the overflow elbow is installed above the float level.
13. After the softener has been running a few minutes in service, proceed to hardness test on outlet water to make sure the water is treated as per requirements.

The system is ready and in service.

## **7.2 Sanitization**

### **7.2.1 Disinfection of water softeners**

The materials of construction of the modern water softener will not support bacterial growth, nor will these materials contaminate a water supply. In addition, during normal use, a softener may become polluted with organic matter, or in some cases with bacteria from the water supply. This may result in an off-taste or odour in the water.

Thus, the softener may need to be disinfected after installation. Some softeners will require periodic disinfection during their normal lifetime. Consult the installing dealer for more information on softener disinfection.

Depending on the conditions of use, the softener type, the type of ion exchanger and the disinfectant available, a choice can be made among the following methods.

### **7.2.2 Sodium or calcium hypochlorite**

These materials are satisfactory for use with polystyrene resins, synthetic gel zeolite, greensand and bentonites.

#### **5.25% Sodium hypochlorite**

If stronger solutions are used, such as those sold for commercial laundries, adjust the dosage accordingly.

#### **Dosage**

Polystyrene resin: set 1.25 mL fluid per 1 L of resin.

Non-resinous exchangers: set 0.85 mL fluid per 1 L.

#### **Brine tank softeners**

Backwash the softener and add the required amount of hypochlorite solution to the well of the brine tank. The brine tank should have water in it to permit the solution to be carried into the softener.

Proceed with the normal regeneration.

#### **Calcium hypochlorite**

Calcium hypochlorite, 70% available chlorine, is available in several forms including tablets and granules. These solid materials may be used directly without dissolving before use.

Do not let the disinfectant stand for more than 3 hours in the brine tank before the regeneration start.

#### **Dosage**

Measure two grains ~ 0.11 mL for 1 L.

#### **Brine tank softeners**

Backwash the softener and add the required amount of hypochlorite to the well of the brine tank. The brine tank should have water in it to permit the chlorine solution to be carried into the softener.

Proceed with the normal regeneration.

### **7.2.3 Electro chlorination (if present)**

Valves or systems already equipped with an electrochlorinator device or system will be sanitized during the brine draw phase.

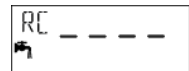
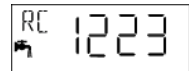
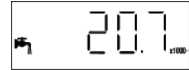
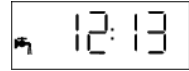
## 8 Operation

### 8.1 Display

#### 8.1.1 Display during operation

Examples:

- Valve in service with day time:
- Valve in service with volume remaining before regeneration:
- Remaining days before next regeneration:
- In volumetric regeneration flow, reserve 1223 litres remaining:
- In volumetric regeneration flow, exhausted reserve, immediate or delayed start in regeneration depending on the adjustment:



#### Info



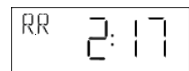
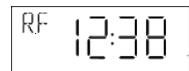
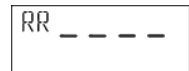
In delayed volumetric mode, the icon  flashes as soon as the reserve begins to be used.

#### 8.1.2 Display during regeneration

During a regeneration the display shows the current cycle step and the time remaining for that cycle. The countdown for the time remaining starts only when the valve is in the cycle displayed.

Examples:

- Valve going to rapid rinse. **RR** are flashing:
- Refill cycle, 12 min 38 sec. left:
- Rapid rinse cycle, 2 min 17 sec. left:



## 8.2 Recommendations

- Use only regeneration salts designed for water softening in accordance with EN973;
- for optimal system operation, the use of clean salt, free from impurities, is recommended (for example salt pellets);
- do not use ice melt, block, or rock salts;
- the sanitizing process (both with liquid and electrochlorination) may introduce chlorine compounds which may reduce the lifetime of the ion exchange resins. Refer to the technical guides for resins in common use, providing necessary checks on the system.


## 8.3 Manual regeneration

### Mandatory



**The controller must be in service in order to enable this procedure !**

### 8.3.1 Manual delayed regeneration

1. Press  once for delayed regeneration.
  - ⇒ The regeneration starts at the programmed regeneration time. See chapter Regeneration time (RT) [→Page 63].
  - ⇒ The service icon flashes.


### Info




**To cancel: press  again.**

The service icon stops flashing.

### 8.3.2 Immediate regeneration

1. Press and hold  for 5 seconds to initiate immediate manual regeneration regardless from the programmed regeneration control type.

### 8.3.3 To advance regeneration cycles

1. Press  to pass to the next regeneration cycle.

## 8.4 Operation during a power failure

- Current valve position, cycle step time elapsed, and time of day is stored 24 hours during a power failure, and will be restored upon power restoration;
- in regeneration, when power is shutting down, the controller saves the current regeneration data. When power is restored, the controller resumes the regeneration cycle at the point where power failed;

### Caution - material



#### **Risk of damage due to power failure !**

Without power, the valve stays in its current position until power is restored.

The system should include all required safety components to prevent overflows resulting from a power failure during regeneration.

- 
- all the program settings are stored in a permanent memory;
  - time is kept during a power failure and the time of day is adjusted upon restoration of the power (as long as the power is restored within 24 hours);
  - the time of day on the main display screen will flash when there has been a power failure;
  - the flashing of the time of day can be stopped by pressing any button on the display.

## 9 Maintenance

### Mandatory



**Cleaning, maintenance and service operation shall take place at regular intervals and must be done by qualified personnel only in order to guarantee the proper functioning of the complete system.**

Report maintenance done in the Maintenance chapter of the User Guide document.

Failure in respecting above instructions may void the warranty!

### 9.1 General system inspection

#### Mandatory



**Must be done, at minimum, once a year !**

#### 9.1.1 Water quality

##### 9.1.1.1 Valve used for softening

1. Raw water total hardness.
2. Treated water hardness.

##### 9.1.1.2 Valve used for filtration

1. Check for raw water analysis and filter's targeted contaminants concentration.
2. Check for treated water analysis and compare with raw water data.

#### 9.1.2 Mechanical Checks

1. Inspect general condition of softener/filter and associated ancillaries and check for any leaks, ensure valve connection to piping is made with adequate flexibility as per manufacturer instruction.
2. Inspection of electrical connections, verify wiring connections and search for evidence of overloading.
3. Verify settings of electronic timer, verify regeneration frequency, and make sure the valve configuration is appropriate for media and tank size.
4. Check water meter, if present, report water meter settings and compare with previous inspection.
5. If water meter is present, verify total water consumption compared to previous visit.
6. If pressure gauges are installed before and after softening/filtering system, verify and record static and dynamic pressure, reporting pressure drop. Verify that inlet pressure respects valve and softening/filtering system limits. Verify that pressure drop stay stable year on year, adapt backwash duration if required.
7. If pressure gauges are not present, but suitable points exist, install temporary pressure gauge(s) to perform precedent point.

### **9.1.3 Regeneration test**

#### **9.1.3.1 Valve used for softening**

1. Check condition of brine tank and any associated equipment.
2. Check salt level in brine tank.
3. Initiate regeneration test.
  - ⇒ Check brine draw during brine draw stage.
  - ⇒ Check brine tank refill.
  - ⇒ Check operation of safety brine valve, where fitted.
  - ⇒ Check for brine draw off levels.
  - ⇒ Check for resin loss at the drain during regeneration.
  - ⇒ Where fitted, check for satisfactory operation of solenoid, i.e. outlet shut off during regeneration and/or brine line shut off valve(s).
4. Test and record Total Hardness of outlet water from softener vessel(s).

#### **9.1.3.2 Valve used for filtration**

1. Initiate manual regeneration and observe flow to drain.
2. Make sure flow rate correspond to DLFC configuration.
3. Check for media loss at the drain during backwash.
4. Check to see if water runs clear at the end of the backwash cycle.
5. Observe flow fast rinse cycle and measure pressure drop through the filter system. Pressure drop after fast rinse should return equal or very close to pressure drop recorded after system start-up.
6. Where fitted, check for satisfactory operation of solenoid valve(s) i.e. outlet shut off during regeneration.

## 9.2 Recommended maintenance plan

### 9.2.1 Valve used for softening

| Items                                   | 1 year  | 2 year  | 3 year  | 4 year  | 5 year  |
|---|---|---|---|---|---|
| Injector & filter                       | Clean   | Clean   | Clean   | Clean   | Clean/ replace if necessary                                   |
| BLFC***                                 | Clean   | Clean   | Clean   | Clean   | Clean/ replace if necessary                                   |
| DLFC***                                 | Clean   | Clean   | Clean   | Clean   | Clean/ replace if necessary                                   |
| Bypass (if present, contains Orings***) | Clean   | Clean   | Clean   | Clean   | Clean/replace if necessary                                    |
| Piston*                                 | Check/clean/ replace if necessary                             | Check/clean/ replace if necessary                             | Replace   | Check/clean/ replace if necessary                             | Check/clean/ replace if necessary                             |
| Seals & spacers*                        | Check/clean/ replace if necessary                             | Check/clean/ replace if necessary                             | Replace   | Check/clean/ replace if necessary                             | Check/clean/ replace if necessary                             |
| Brine valve                             | Check/clean/ replace if necessary                             | Check/clean/ replace if necessary                             | Check/clean/ replace if necessary                             | Check/clean/ replace if necessary                             | Replace   |
| O-rings***                              | Check for watertightness /clean or replace in case of leakage | Check for watertightness /clean or replace in case of leakage | Check for watertightness /clean or replace in case of leakage | Check for watertightness /clean or replace in case of leakage | Check for watertightness /clean or replace in case of leakage |
| Motors                                  | Check   | Check   | Check   | Check   | Replace   |
| Gearing                                 | Check   | Check   | Check   | Check   | Check/ replace if necessary                                   |
| Inlet hardness                          | Check   | Check   | Check   | Check   | Check   |
| Residual hardness                       | Check/adapt mixing screw if necessary                         | Check/adapt mixing screw if necessary                         | Check/adapt mixing screw if necessary                         | Check/adapt mixing screw if necessary                         | Check/adapt mixing screw if necessary                         |
| Electronic/ settings**                  | Check   | Check   | Check   | Check   | Check/ replace if necessary                                   |
| Transformer**                           | Check   | Check   | Check   | Check   | Check/ replace if necessary                                   |
| Microswitches                           | Check   | Check   | Check   | Check   | Replace   |
| Meter(s)* (if present)                  | Check and Clean   | Check and Clean   | Check and Clean   | Check and Clean   | Replace   |
| Meter cable(s)* (if present)            | Check   | Check   | Check   | Check   | Replace   |

| Items                          | 1 year | 2 year | 3 year | 4 year | 5 year |
|--------------------------------|--------|--------|--------|--------|--------|
| Valve watertightness           | Check  | Check  | Check  | Check  | Check  |
| Valve to piping watertightness | Check  | Check  | Check  | Check  | Check  |

\* Wear parts - durability strongly affected by raw water quality and regeneration frequency.

\*\* Electronic parts - durability strongly affected by power source quality and stability.

\*\*\* Elastomer durability is strongly affected by raw water concentration in chlorine and its derivative.

## 9.2.2 Valve used for filtration

| Items                                   | 1 year  | 2 year  | 3 year  | 4 year  | 5 year  |
|---|---|---|---|---|---|
| DLFC***                                 | Clean   | Clean   | Clean   | Clean   | Clean/ replace if necessary                                   |
| Bypass (if present, contains Orings***) | Clean   | Clean   | Clean   | Clean   | Clean/replace if necessary                                    |
| Piston*                                 | Check/clean/replace if necessary                              | Check/clean/replace if necessary                              | Replace   | Check/clean/replace if necessary                              | Check/clean/replace if necessary                              |
| Seals & spacers*                        | Check/clean/replace if necessary                              | Check/clean/replace if necessary                              | Replace   | Check/clean/replace if necessary                              | Check/clean/replace if necessary                              |
| O-rings***                              | Check for watertightness /clean or replace in case of leakage | Check for watertightness /clean or replace in case of leakage | Check for watertightness /clean or replace in case of leakage | Check for watertightness /clean or replace in case of leakage | Check for watertightness /clean or replace in case of leakage |
| Motors                                  | Check   | Check   | Check   | Check   | Replace   |
| Gearing                                 | Check   | Check   | Check   | Check   | Check/ replace if necessary                                   |
| Electronic/ settings**                  | Check   | Check   | Check   | Check   | Check/ replace if necessary                                   |
| Transformer**                           | Check   | Check   | Check   | Check   | Check/ replace if necessary                                   |
| Microswitches                           | Check   | Check   | Check   | Check   | Replace   |
| Meter(s)* (if present)                  | Check and Clean   | Check and Clean   | Check and Clean   | Check and Clean   | Replace   |
| Meter cable(s)* (if present)            | Check   | Check   | Check   | Check   | Replace   |
| Valve watertightness                    | Check   | Check   | Check   | Check   | Check   |
| Valve to piping watertightness          | Check   | Check   | Check   | Check   | Check   |

\* Wear parts - durability strongly affected by raw water quality and regeneration frequency.

\*\* Electronic parts – durability strongly affected by power source quality and stability.

\*\*\* Elastomer durability is strongly affected by raw water concentration in chlorine and its derivative.

## 9.3 Recommendations

### 9.3.1 Use original spare parts

#### Caution - material



#### **Risk of damage due to use of non-genuine spare parts !**

To ensure correct operation and safety of the device, only use original spare parts and accessories recommended by the manufacturer.

Usage of non-genuine spare parts voids all warranties.

Parts to keep in stock for potential replacements are the pistons, S&S kit, injectors, micro-switches and motors. Refer to maintenance sheet.

### 9.3.2 Use original approved lubricants

- Dow Corning #7 Release Agent.

### 9.3.3 Maintenance instructions

- Disinfect and clean the system at least once a year or if the treated water has an off-taste or an unusual odor;
- perform a hardness test every year at both inlet and treated water.

## 9.4 Cleaning and maintenance

### 9.4.1 First steps

Before any cleaning or maintenance procedure, complete the following steps:

#### Mandatory

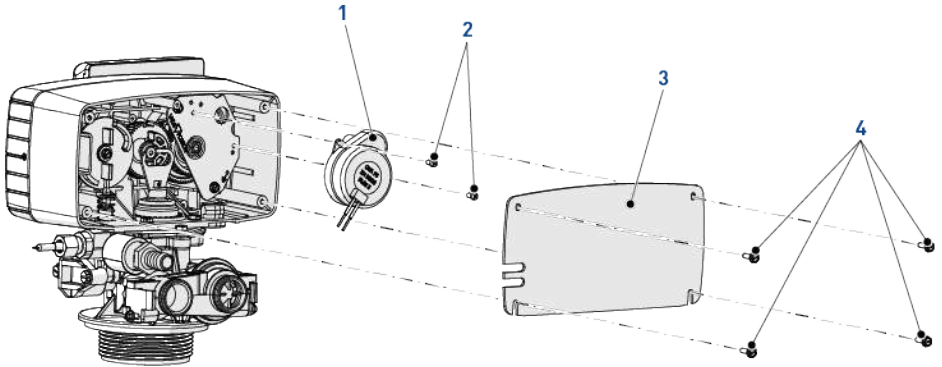


#### **These operations must be performed before any cleaning or maintenance procedure !**

1. Unplug the wall-mounted transformer.
2. Shut off water supply or put bypass valve(s) into bypass position.
3. Relieve system pressure before performing any operations.

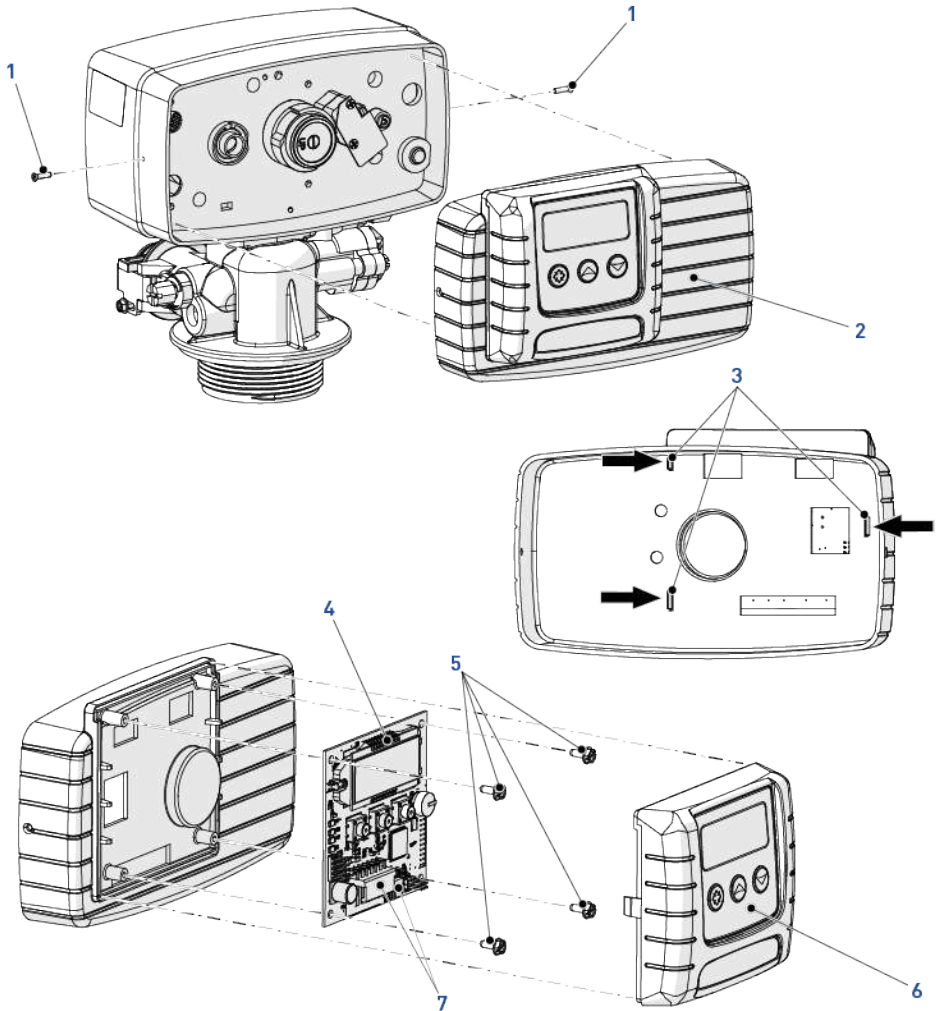
### 9.4.2 Controller motor replacement

1. Using a flat screwdriver, unscrew (4) and remove the cover (3).
2. Disconnect the motor (1).
3. Using a Philips screwdriver, unscrew (2) and remove the motor (1).
4. Change the motor (1).
5. Reverse above procedure steps to rebuild.



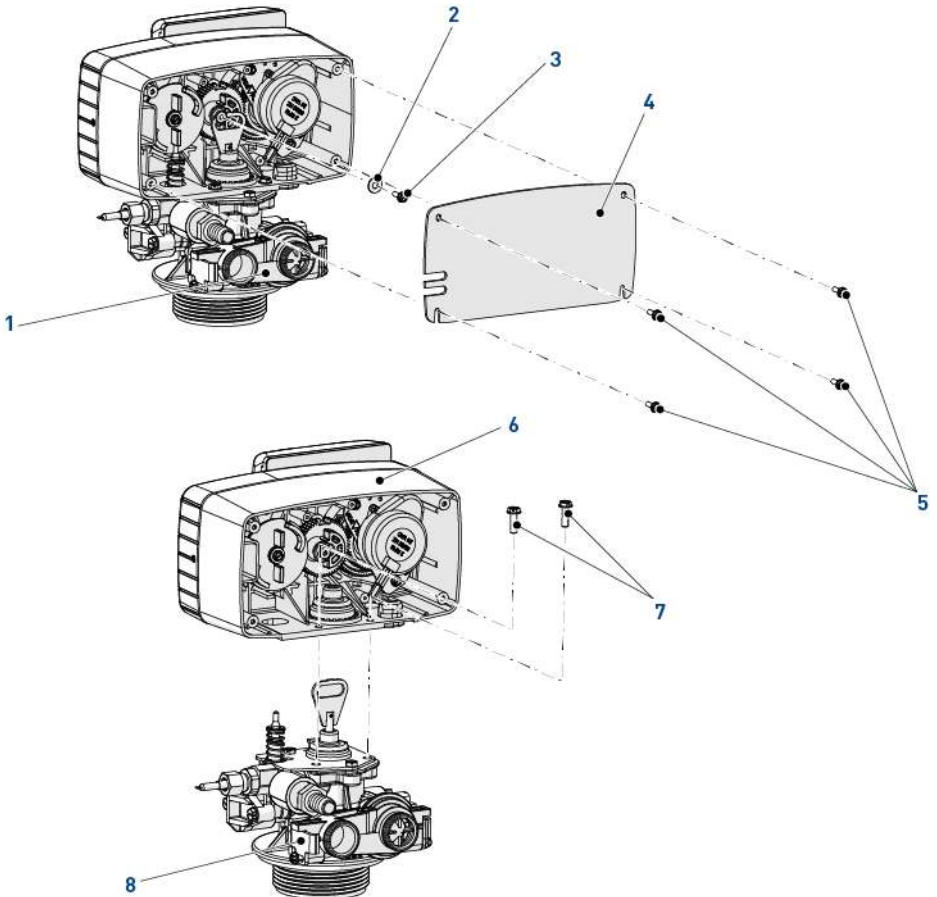
### 9.4.3 Controller replacement

1. Using a Philips screwdriver, unscrew (1) and remove the cover (2) paying attention for the wire.
2. Press the board clips (3) and release the controller cover (6).
3. Using a flat screwdriver, unscrew (5) and remove the controller (4).
4. Remove carefully the wire connectors (7).
5. Connect the new controller, see Electrical connections [->Page 48].
6. Reverse above procedure steps to rebuild.



### 9.4.4 Power head disassembly/replacement

1. Disconnect the meter cable (1), if available.
2. Using a flat screwdriver, unscrew (5) and remove the cover (4).
3. Using a flat screwdriver, unscrew (3) and remove the washer (2).
4. Using a flat screwdriver or an 8 mm wrench, unscrew (7) and remove the power head (6) from the valve body (8).
5. Change the power head (6).
6. Reverse above procedure steps to rebuild.



### 9.4.5 Piston and/or brine valve and/or seal and spacer kit replacement

1. Remove the power head, see Power head disassembly/replacement [→Page 83].
2. Using a flat screwdriver or an 8 mm wrench, unscrew (3) and remove the top plate (4).
3. Remove the brine valve (6) and/or the piston (5).

**Caution - material**



**Risk of damage on piston due to wrench use !**

Using a wrench on piston rod coating will cause leakages.

4. Using a small hook, remove a seal (7).
5. Using the puller (1), remove a spacer (8).
6. Repeat the two previous steps for all the seals and spacers.
7. Lubricate each new seals (7).
8. Put back a seal (7) using the stuffer (2).
9. Put back a spacer (8) using the stuffer (2).
10. Repeat the two previous steps for all the seals and spacers.
11. Lubricate the piston o-ring (5).
12. Put back the brine valve (6) and/or the piston (5).
13. Using a flat screwdriver or an 8 mm wrench, fix the top plate (4) with the screws (3).
14. Rebuild the power head, see Power head disassembly/replacement [→Page 83].

**Caution - material**

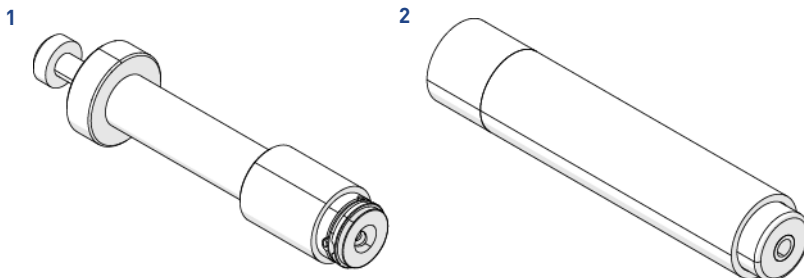


**Risk of damage due to wrong lubricant use !**

Do not use petroleum-based lubricants such as vaseline, oils, or hydrocarbon-based lubricants.

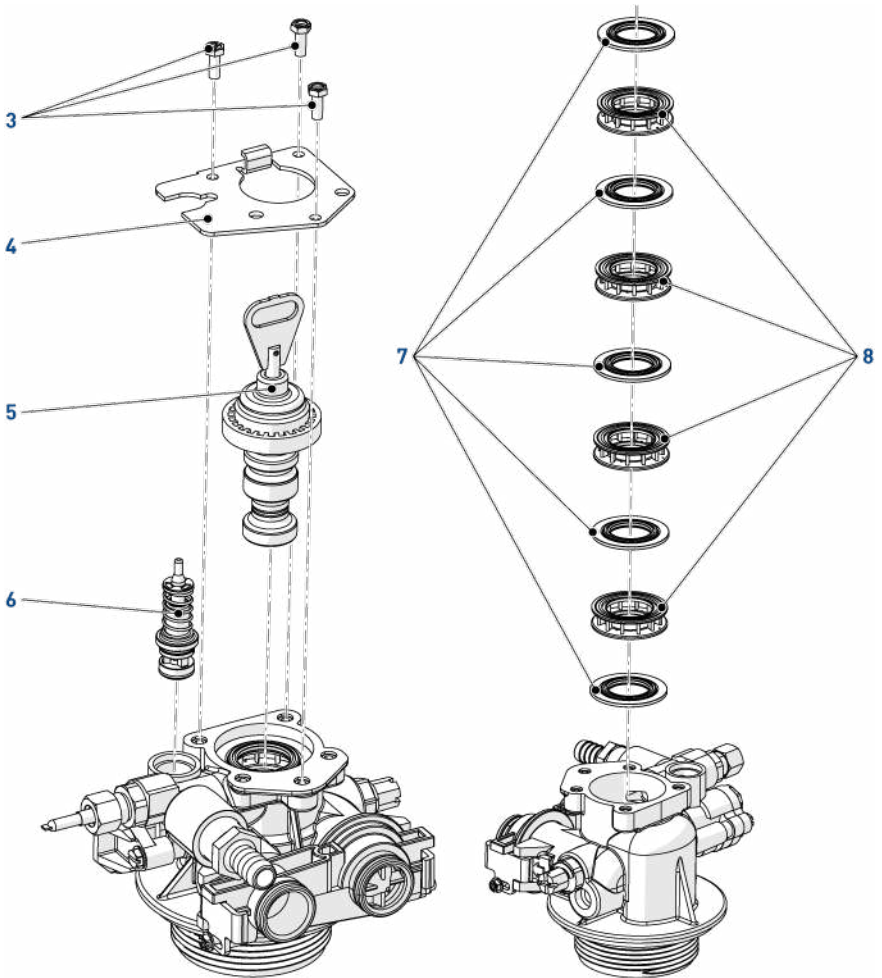
Use only approved silicone grease or soapy water !

#### 9.4.5.1 Special tools needed



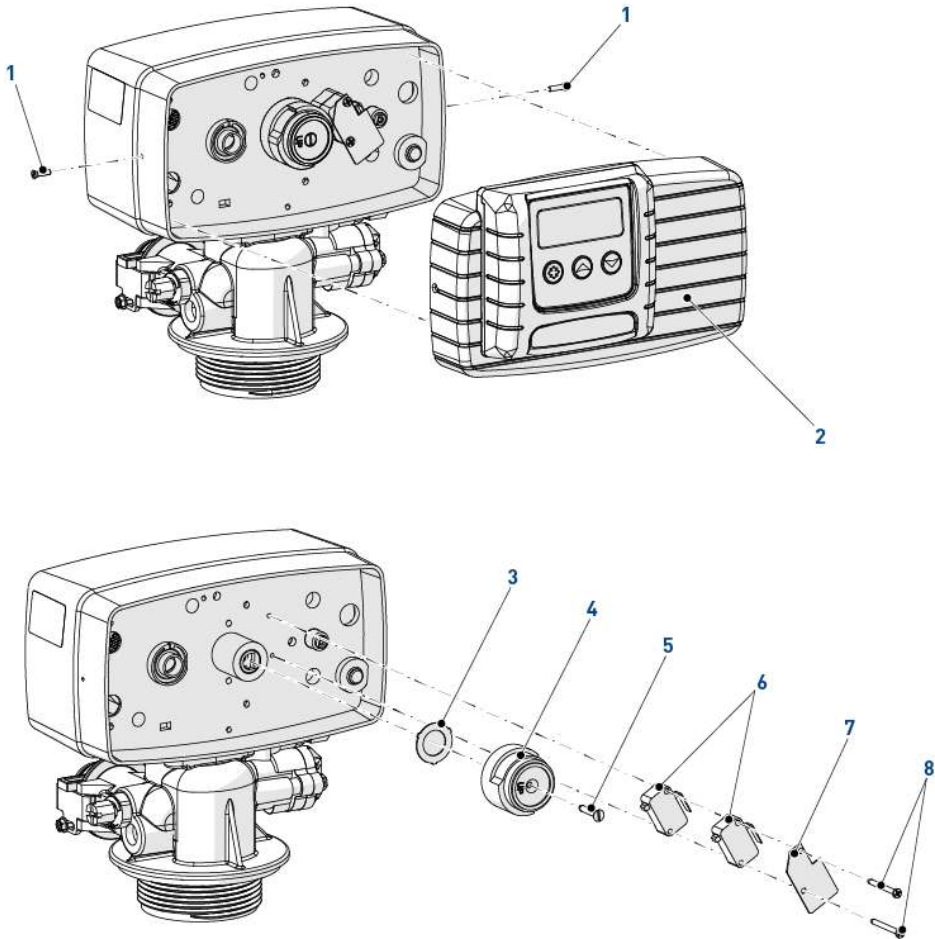
| Item | Part number | Description | Packaging quantity |
|------|-------------|-------------|--------------------|
| 1    | 13061       | Puller      | 1                  |

| Item | Part number | Description | Packaging quantity |
|------|-------------|-------------|--------------------|
| 2    | 12763       | Stuffer     | 1                  |



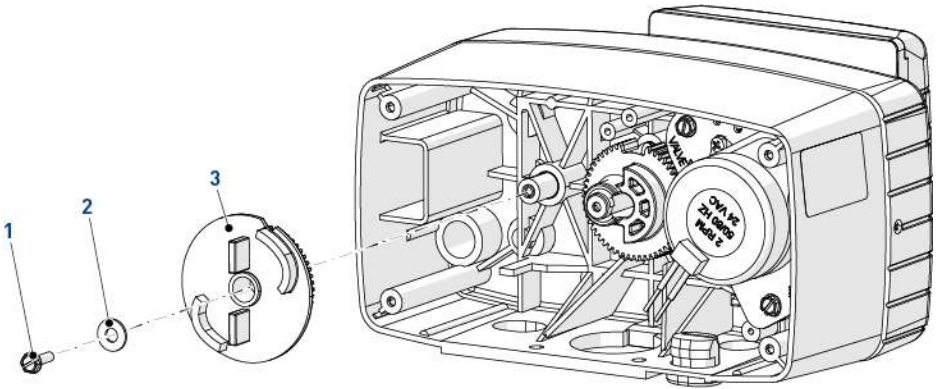
### 9.4.6 Microswitches and/or drive cam replacement

1. Using a Philips screwdriver, unscrew (1) and remove the cover (2).
2. Disconnect the wire on the microswitches (6).
3. Using a Philips screwdriver, unscrew (8).
4. Remove the protection plate (7) and the microswitches (6).
5. Using a Philips screwdriver, unscrew (5) and remove the drive cam (4) and the washer (3).
6. Change the drive cam (4) and/or the microswitches (6).
7. Reverse above procedure steps to rebuild.



### 9.4.7 Brine cam replacement

1. Remove the power head, see Power head disassembly/replacement [→Page 83].
2. Using a flat screwdriver, unscrew (1).
3. Remove the washer (2) and the brine cam (3).
4. Change the brine cam (3).
5. Reverse above procedure steps to rebuild.



### 9.4.8 Injector cleaning

1. Using a flat screwdriver or an 8 mm wrench, remove the screws (6).
2. Remove the cap injector (5).
3. Remove the seal (4).
4. Remove the filter (2).
5. Using a flat screwdriver, remove the injector nozzle (3).
6. Using a flat screwdriver, remove the injector throat (1).
7. Clean or change the injector throat (1), the injector nozzle (3), the filter (2) and the seal (4).
8. Lubricate all seals with approved lubricant only.

#### Caution - material

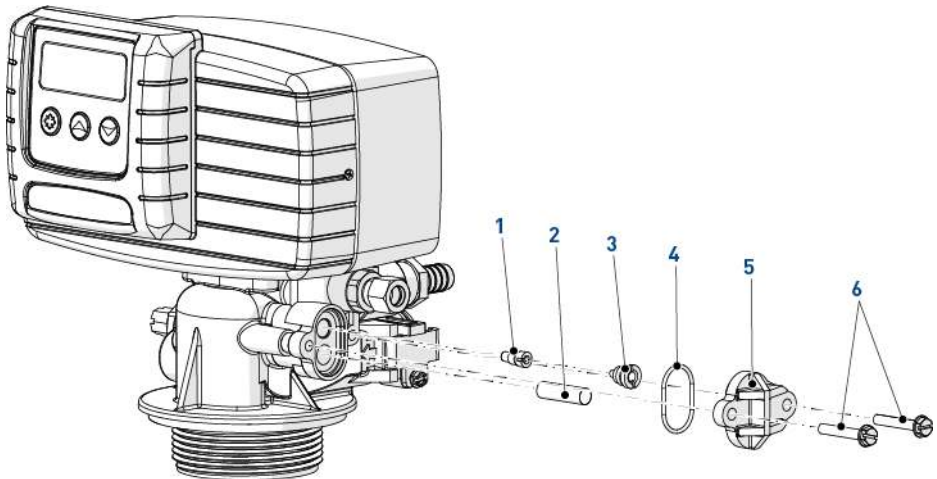


#### Risk of damage due to wrong lubricant use !

Do not use petroleum-based lubricants such as vaseline, oils, or hydrocarbon-based lubricants.

Use only approved silicone grease or soapy water !

9. Reverse above procedure steps to rebuild.



### 9.4.9 BLFC cleaning

1. Using a wrench, remove the BLFC holder (1).
2. Using pliers, remove the cage (4) from the BLFC holder (1).
3. Remove the BLFC washer (3) from the BLFC holder (1).
4. Clean the BLFC washer (3) with a terry cloth.
5. Clean the cage (4).
6. Lubricate the seal (2) with approved lubricant only.

#### Caution - material



#### Risk of damage due to wrong lubricant use !

Do not use petroleum-based lubricants such as vaseline, oils, or hydrocarbon-based lubricants.

Use only approved silicone grease or soapy water !

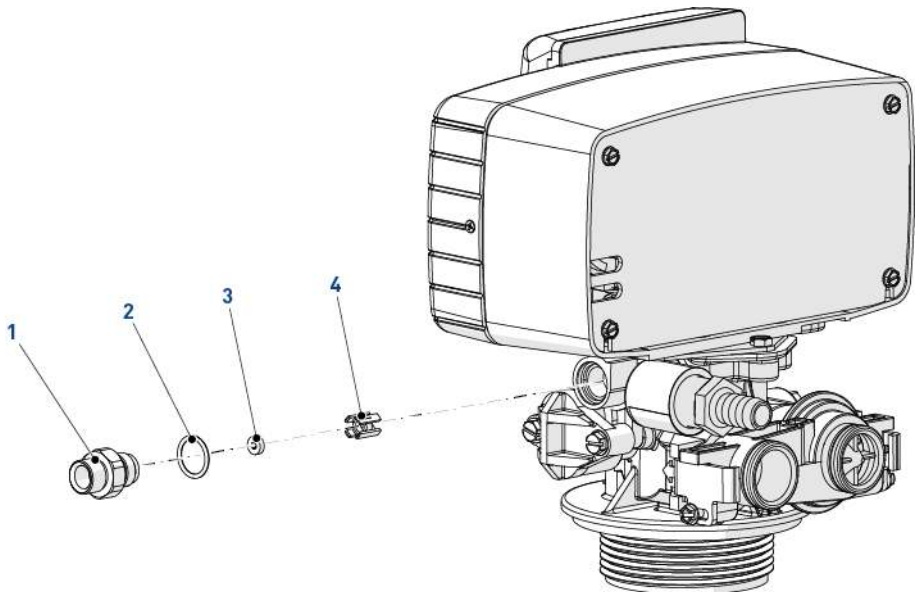
7. Reverse above procedure steps to rebuild.

#### Mandatory



**The washers (3) have to be installed with their chamfered side upfront the water stream flow.**

Flow indication must be visible after the washer (3) is placed on the holder (1).



## 10 Troubleshooting

| Problem                                    | Cause   | Solution  |
|--|---|---|
| Softener fails to regenerate automatically | Interrupted power or switched off power source. | Restore the controller and connect to constant power source.                  |
|  | Disconnected/faulty meter cable.                | Check connections in the power head and on the meter cover. Change the cable. |
|  | Defective power cord.                           | Replace cord.   |
|  | Defective motor.                                | Change motor.   |
|  | Defective controller.                           | Change controller.  |
|  | Blocked meter.                                  | Clean or change meter.  |
|  | Bad programming.                                | Program correctly.  |
| Softener delivers hard water               | By-pass valve is open.                          | Close by-pass valve.  |
|  | No salt in the brine tank.                      | Add salt in the brine tank and keep salt level above water level.             |
|  | Plugged injector and/or filter.                 | Clean or replace injector and/or filter.                                      |
|  | Insufficient water flowing into brine tank.     | Check brine tank filling time and clean flow regulator.                       |
|  | Hot water tank hardness.                        | Repeated flushing of the hot water tank.                                      |
|  | Leak at the distributor hose.                   | Ensure the distributor tube has no cracks. Check the o-ring.                  |
|  | Internal valve leak.                            | Change seals & spacers and/or piston assembly.                                |
|  | Blocked meter.                                  | Clean or change meter.  |
|  | Disconnected/faulty meter cable.                | Check connections in the power head and on the meter cover. Change the cable. |
| Bad programming.                           | Program correctly.                              |   |
| Excessive salt consumption                 | Improper brine refill setting.                  | Check use of salt and setting of brine refill.                                |
|  | Too much water in the brine tank.               | See problem below: Too much water in the brine tank.                          |
|  | Bad programming.                                | Program correctly.  |
| Water pressure drop                        | Iron deposit in the valve inlet.                | Clean the inlet.  |
|  | Iron deposit in the valve.                      | Clean the valve and resin.  |
|  | Valve inlet obstructed by foreign elements.     | Remove piston and clean the valve.  |

| Problem                                  | Cause  | Solution  |
|--|--|---|
| Resin loss through drain line            | Top distributor missing or broken.                 | Add or replace the top distributor.   |
|  | Air in water system.                               | Ensure the presence of air check system in the brine tank.  |
|  | Improperly sized drain line flow control.          | Size the drain line flow control correctly.   |
| Iron presence in the valve/treated water | The resin bed is dirty.                            | Check backwash, brine draw, and brine refill. Regenerate more often and increase backwash cycle time. |
|  | Iron concentration exceeds recommended parameters. | Contact your local dealer.  |
| Too much water in the brine tank.        | Plugged drain line flow control.                   | Clean drain line flow control.  |
|  | Plugged injector system.                           | Clean injector and screen, change if necessary.   |
|  | Faulty brine valve.                                | Change brine valve.   |
|  | Bad programming.                                   | Program correctly.  |
|  | Controller is not cycling.                         | Change controller.  |
|  | Foreign material in the brine valve.               | Replace brine valve seat and clean the valve.   |
| Salted water in service line             | Foreign material in the brine line flow control.   | Clean brine line flow control.  |
|  | Plugged injector and/or filter.                    | Clean or replace injector and/or filter.  |
|  | Power head not operating properly.                 | Change power head.  |
|  | Foreign material in the brine valve.               | Replace brine valve seat and clean the valve.   |
|  | Foreign material in the brine line flow control.   | Clean brine line flow control.  |
|  | Low water pressure.                                | Raise inlet pressure to 1.8 bar minimum.  |
| Bad programming.                         | Program correctly.                                 |   |

| Problem                        | Cause  | Solution  |
|--------------------------------|--|---|
| Softener fails to draw brine   | Plugged drain line flow control.   | Clean drain line flow control.                                    |
|                                | Plugged injector and/or filter.  | Clean or replace injector and/or filter.                          |
|                                | Low water pressure.  | Raise inlet pressure to 1.8 bar minimum.                          |
|                                | Internal valve leak.   | Change seals & spacers and/or piston assembly.                    |
|                                | Bad programming.   | Program correctly.  |
|                                | Power head not operating properly.   | Change power head.  |
| Controller cycles continuously | Power head not operating properly.   | Change power head.  |
|                                | Faulty microswitch or wiring loom.   | Change microswitch or wiring loom.                                |
|                                | Defective or badly set cycle cam.  | Reposition or change cycle cam.                                   |
| Drain flows continuously       | Foreign elements in the valve.   | Clean valve and check it in the different regeneration positions. |
|                                | Internal valve leak.   | Change seals & spacers and/or piston assembly.                    |
|                                | Valve blocked in brine refill or backwash.   |   |
|                                | Defective or blocked motor.  | Change motor and check gear teeth.                                |
|                                | Power head not operating properly.   | Change power head.  |
| Upper drive synchronization    | Power failure while the electronic was compiling data.   | System will recover automatically within a few minutes.           |
|                                | The board doesn't receive the signal from the homing microswitch (motor runs for the 6 first minutes of UD display then shows Er0).  | Check microswitches and associated wiring.                        |
|                                | Er 0 was shown, power switch off and on: UD---- is displayed at power restoration and motor runs for 6 minutes looking for its position, finally shows Er0 again if expected signals from microswitches aren't received. |   |

## 10.1 Error detection

Errors codes appear on the service display.

### Info



**It can take up to 1 minute before an error can be detected and displayed.**

### 10.1.1 Motor stall/cam sense error

### Info



**The valve drive takes more than 6 minutes to go to the next regeneration cycle and the board hasn't received expected signals from microswitches.**

1. Unplug the unit and plug back in. Allow the controller to attempt to find position again.
2. Unplug the unit and examine the power head, especially look at homing/step microswitches and motor.
3. Verify all circuit board connections.
4. Verify the motor and gearing components are in good condition and assembled properly.
5. Check the valve and verify that the piston travels freely.
6. Replace/reassemble the various components as necessary.
7. Plug the unit back in and observe its behaviour.
8. If the error reoccurs, unplug the unit.
9. Put it into bypass.
10. Contact dealer.



## 10.1.2 Motor run-ON error/cycle sense error

### Info



**The valve performed an unforeseen cycle.**

**This error message is only valid until controller version 2.6.**

1. Unplug the unit and plug back in. Allow the controller to attempt to find position again.
2. Unplug the unit and examine the power head.
3. Verify all circuit board connections.
4. Enter master programming mode.
5. Verify that the valve type and system type are set correctly with regard to the unit itself.
6. Step the unit to a manual regeneration.
7. Verify that it functions correctly.
8. If the error reoccurs, unplug the unit.
9. Put it into bypass.
10. Contact dealer.



## 10.1.3 Regeneration failure

### Info



**The system has not regenerated for more than 99 days or 7 days if the regeneration control type has been set to day of week.**

1. Perform a manual regeneration to reset the error code.
2. If the system is metered, verify that it is measuring flow by running service water and watching for the flow indicator on the display.
3. If the unit doesn't measure flow, verify that the meter is working properly and its cable is well connected.
4. Enter master programming mode.
5. Verify that the unit is configured properly.
6. Check that system capacity has been selected.
7. Check that day override is set properly.
8. Check that meter is identified correctly.
9. If the unit is configured as a day of week system, verify that at least one day is set ON.
10. Correct the setting as necessary.



## 10.1.4 Memory error

### Info



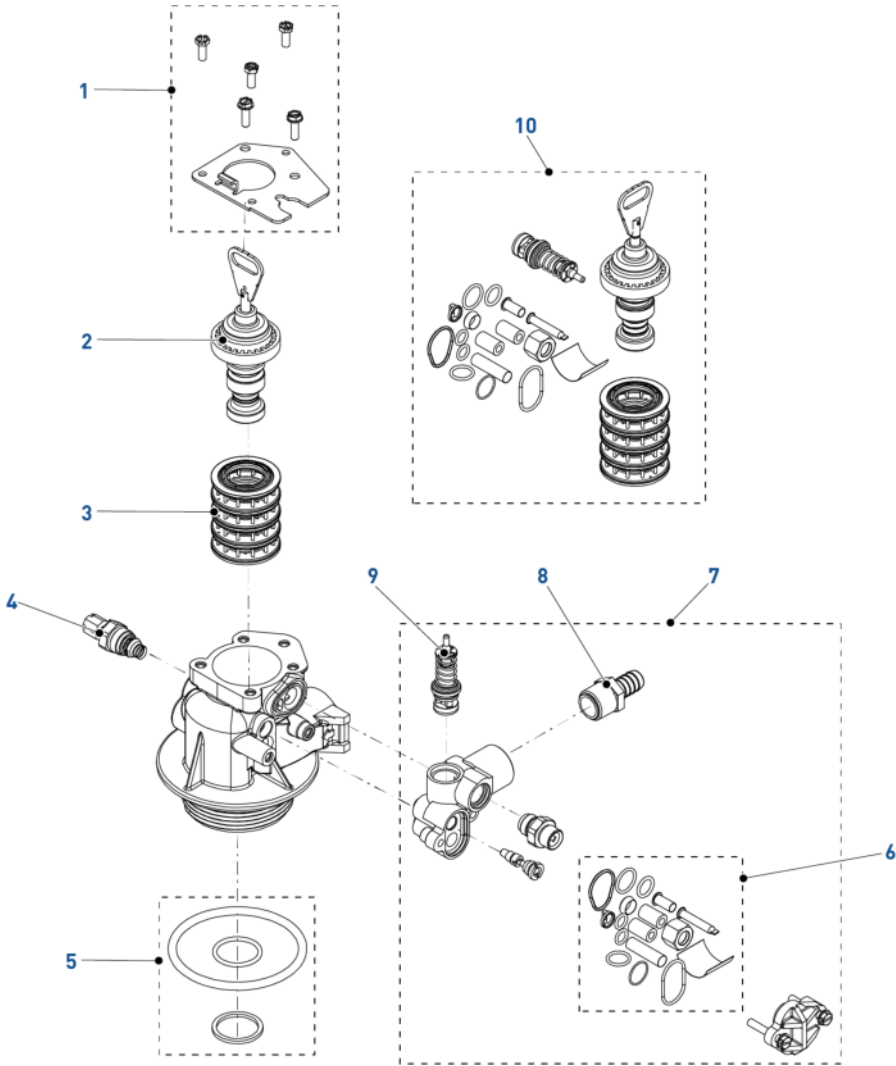
**The controller board has a memory failure.**

1. Perform a master reset.
2. Reconfigure the system via master programming mode.
3. Step the valve through a manual regeneration.
4. If the error reoccurs, unplug the unit.
5. Put it into bypass.
6. Contact dealer.



# 11 Spare parts and options

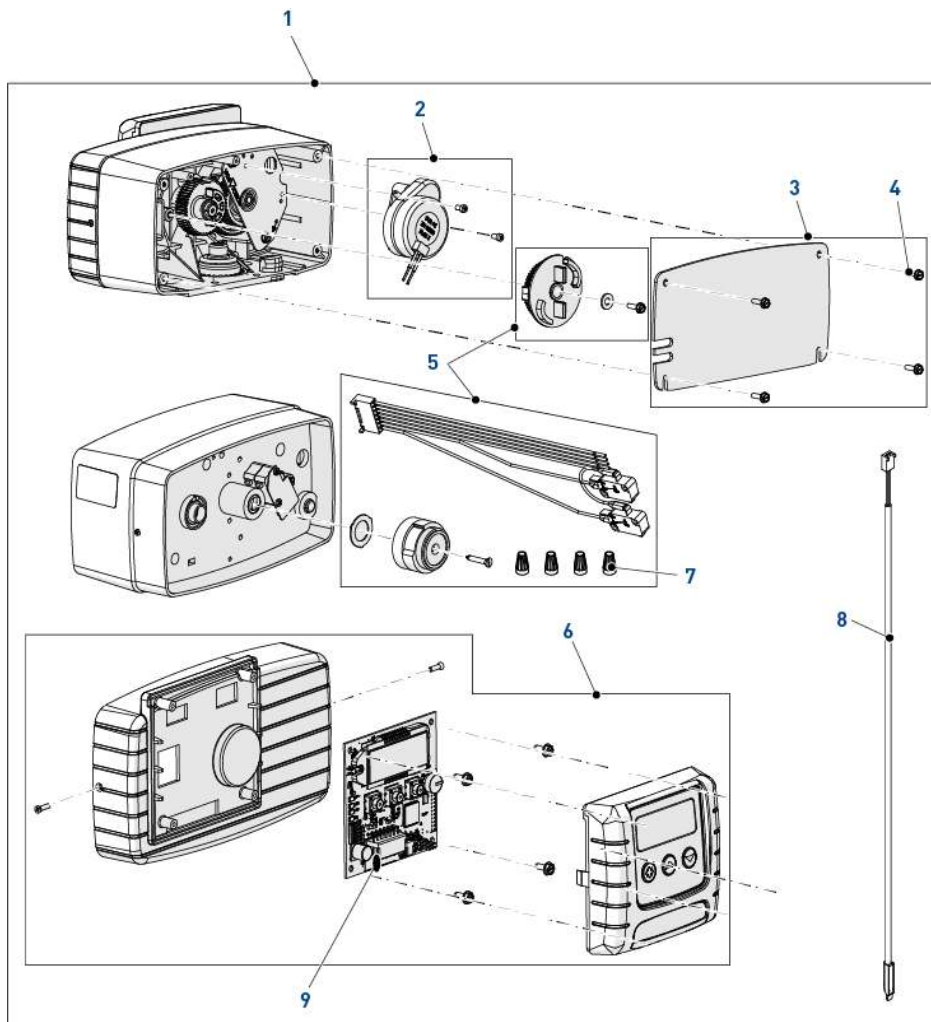
## 11.1 Valve parts list



| Item | Part number | Description                              | Packaging quantity |
|------|-------------|--|--------------------|
| 1    | 29100       | End plug retainer kit 5600               | 1                  |
| 2    | 24116-US    | Piston assy 4600/5600                    | 1                  |
| -    | 24117-US    | Piston assy 4600/5600 LWU                | 1                  |
| -    | 27077-US    | Piston assy 4600SXT/5600SXT/6600/6700 DF | 1                  |

| Item | Part number | Description  | Packaging quantity |
|------|-------------|--|--------------------|
| -    | 18928       | Piston assy 4600/5600 Filter                                     | 1                  |
| 3    | 24115       | S&S Kit residential  | 1                  |
| 4    | 24509-01    | Mixing assy residential  | 1                  |
| 5    | 29101       | Kit O-rings tank adapter 5600                                    | 10                 |
| 6    | 29115       | Injector service kit residential/9000/9100                       | 1                  |
| 7    | 29109       | Injector assy 5600 #000/0.8/0.125 (#00/1.2 -BLFC 0.25)           | 1                  |
| -    | 29110       | Injector assy 5600 #0/1.2/0.25 (w/washer 0.8-1.5 GPM-BLFC 0.125) | 1                  |
| -    | 29111       | Injector assy 5600 #1/1.5/0.25 (w/ washer 2 & 2.4)               | 1                  |
| -    | 29112       | Injector assy 5600 #2/3.5/0.50 (w/ washer 4)                     | 1                  |
| -    | 29113       | Injector assy 5600 #3/4/1 (w/ washer 5&7)                        | 1                  |
| -    | 29114       | Injector assy 5600 UF #00/1.2/0.25 (w/ add. sizes)               | 1                  |
| 8    | 22359SP     | Hose Barb Straight Hot Water                                     | 10                 |
| 9    | 24114       | BV assy 1600 Residential   | 1                  |
| 10   | 29108       | 4600/5600 SXT service kit  | 1                  |

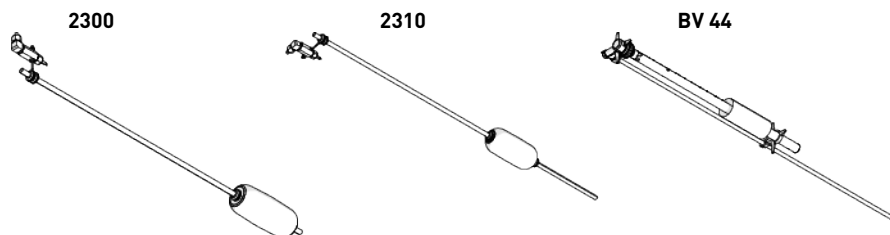
## 11.2 Power head parts list



| Item | Part number | Description                         | Packaging quantity |
|------|-------------|-------------------------------------|--------------------|
| 1    | PH56SXT-003 | PH 4600/5600 SXT Eco                | 1                  |
| -    | PH56SXT-004 | PH 4600/5600 SXT Eco UF             | 1                  |
| 2    | 25329       | Drive Motor assy 24V/50-60Hz        | 1                  |
| 3    | 29131       | Kit back cover black 4600/5600/6600 | 1                  |
| 4    | 13296SP     | Screw                               | 50                 |

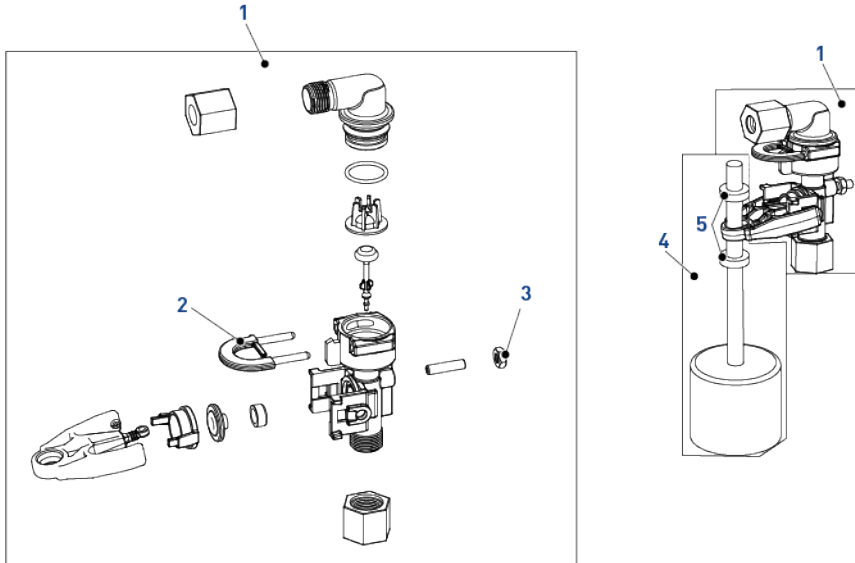
| Item | Part number | Description                               | Packaging quantity |
|------|-------------|---|--------------------|
| 5    | 29132       | Repair kit for residential SXT power head | 1                  |
| 6    | BU28723     | Front panel & label SXT                   | 1                  |
| 7    | 40422SP     | Wire Nut Tan                              | 50                 |
| 8    | 19791-01SP  | Turbine Meter Cable elec 0.450 m          | 10                 |
| 9    | BR43346-E0  | Circuit board SXT programmed eco          | 1                  |

### 11.3 Safety brine valves list



| Item | Brine system | Part number | Description                                      | Packaging quantity |
|------|--------------|-------------|--|--------------------|
| -    | 1600         | 27833       | Safety Brine Valve 2300 - Without Air-Check      | 24                 |
| -    | 1600         | 27834       | Safety Brine Valve 2300 - HW - Without Air-Check | 24                 |
| -    | 1600         | 60067-03    | Safety Brine Valve 2310 - Without Air-Check      | 24                 |
| -    | 1600         | 25687       | Brine Valve 44 - 914mm                           | 10                 |
| -    | 1600         | 18961       | Brine Valve 44 - 1250mm                          | 10                 |

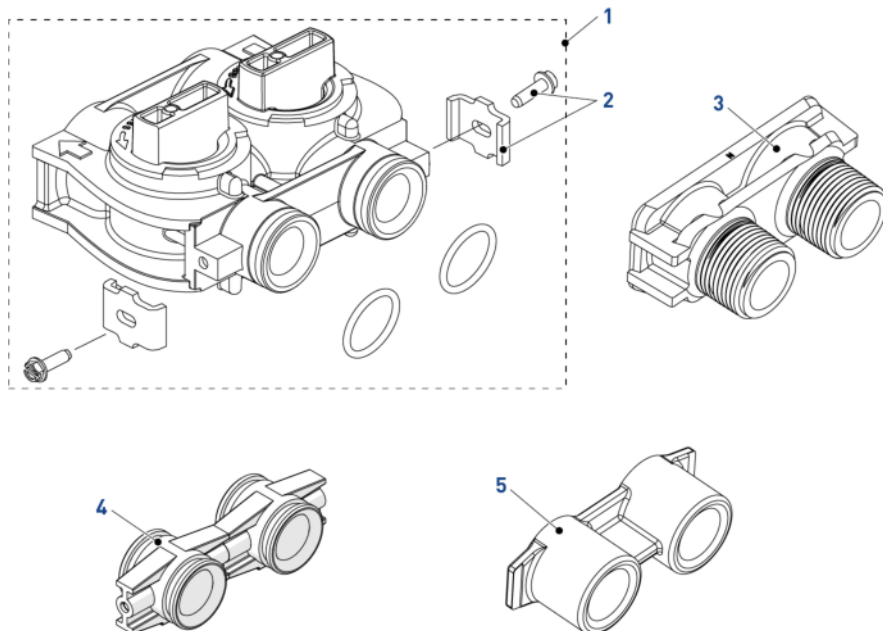
### 11.4 Safety brine valves 2310 parts list



| Item | Part number | Description                     | Packaging quantity |
|------|-------------|---------------------------------|--------------------|
| 1    | 60014SP     | Body Assy SBV 2310              | 10                 |
| 2    | 18312SP     | Retainer, drain                 | 10                 |
| 3    | 19805SP     | Nut SBV 2310 Plastic            | 50                 |
| 4    | 60068-30SP  | New Float assy 2310             | 10                 |
| 5    | 10150SP     | Grommet pass rod 2300/2310/2350 | 50                 |

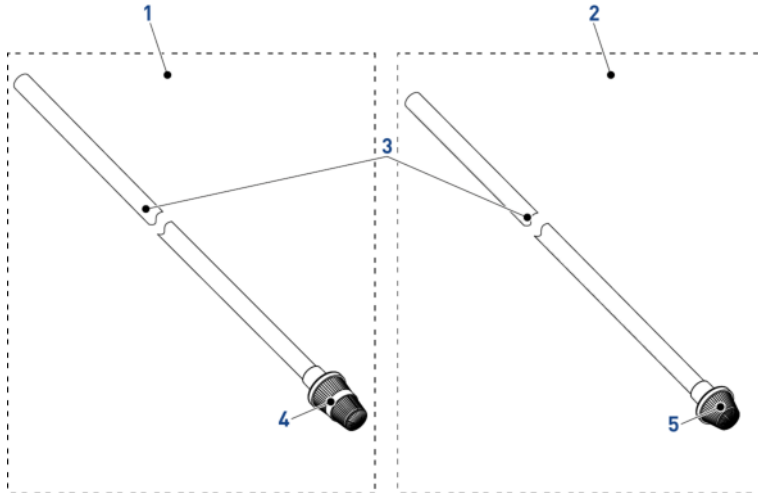
## 11.5 Bypass valve assembly list

### 11.5.1 Plastic bypass (no yoke)



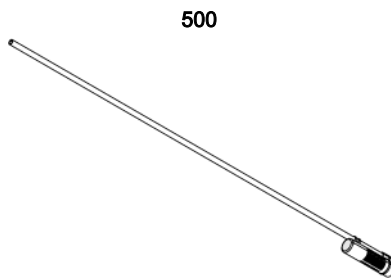
| Item | Part number | Description   | Packaging quantity |
|------|-------------|---|--------------------|
| 1    | BU26054     | Bypass plastic  | 1                  |
| 2    | 29104       | Kit mounting/adpater 2 clips & 2 screws residential/9000/9100 | 1                  |
| 3    | 18706-10    | Yoke, 1", BSP, male, plastic                                  | 1                  |
| -    | 18706-12    | Yoke, ¾", BSP, male, plastic                                  | 1                  |
| -    | 24689       | Yoke, ¾", BSP, male, brass                                    | 1                  |
| 4    | 13709       | Coupling Assy residential                                     | 1                  |
| 5    | 13398-10    | Yoke 1", BSP, female, brass                                   | 1                  |

### 11.6 Distribution systems parts list



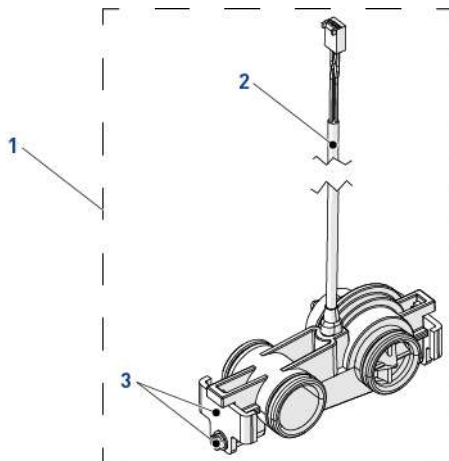
| Item | Part number | Description                                    | Packaging quantity |
|------|-------------|--|--------------------|
| 1    | 27827       | Distributor assy, 1" high flow 1 m 10          | 24                 |
| -    | 25645       | Distributor assy, 1" high flow 1 m 95          | 24                 |
| 2    | 27828       | Distributor assy, 1" UF & high capacity 1 m 10 | 24                 |
| 3    | BU28648     | Distributor tube, 1" - 1 m 85 (ACS)            | 1                  |
| -    | BU28650     | Distributor tube, 1" - 1 m 06 (ACS)            | 1                  |
| 4    | 25360       | Bottom distributor, 1" high flow               | 1                  |
| 5    | 25797       | Bottom distributor, 1" UF & high capacity      | 1                  |

### 11.7 Air checks list



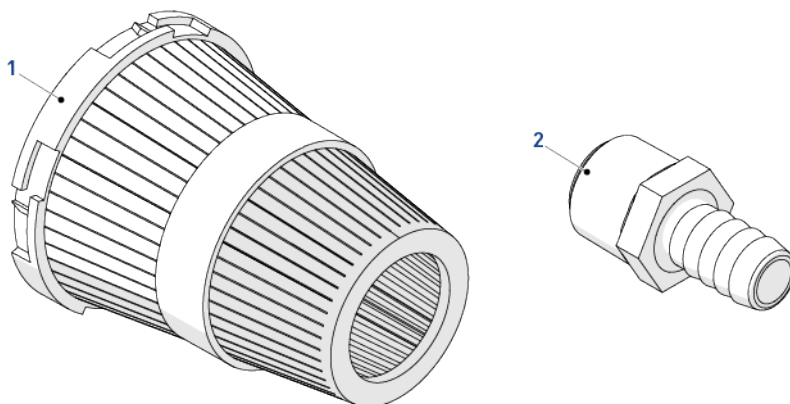
| Item | Brine system | Part number | Description             | Packaging quantity |
|------|--------------|-------------|-------------------------|--------------------|
| -    | 1600         | 18168       | Air checks 500A, 0.915m | 48                 |
| -    | 1600         | 26773       | Air checks 500A, 1m25   | 48                 |

### 11.8 Meters parts list



| Item | Part number | Description   | Packaging quantity |
|------|-------------|---|--------------------|
| 1    | 60626-01    | Meter assy 3/4" turbine SXT                               | 1                  |
| 2    | 19791-01SP  | Turbine Meter Cable elec 0.450 m                          | 10                 |
| 3    | 29104       | Kit mounting/adpater clips & screws residential/9000/9100 | 1                  |

### 11.9 Additional parts list



| Item | Part number | Description                           | Packaging quantity |
|------|-------------|---------------------------------------|--------------------|
| 1    | 18280SP     | Top distributor 1" grey               | 10                 |
| -    | 18280-01SP  | Top distributor 1" wide slots natural | 10                 |
| -    | 18280-02SP  | Top distributor 1" narrow slots red   | 10                 |

| Item | Part number | Description                  | Packaging quantity |
|------|-------------|------------------------------|--------------------|
| 2    | 22359SP     | Hose Barb Straight Hot Water | 10                 |

## 12 Disposal

The device must be scrapped in accordance with directive 2012/19/EU or the environmental standards in force in the country of installation. The components included in the system must be separated and recycled in a waste recycling center that conforms with the legislation in force in the country of installation. This will help to reduce the impact on the environment, health, safety and help to promote recycling. Pentair does not collect used product for recycling. Contact your local recycling center for more information.



**[WWW.PENTAIR.EU](http://WWW.PENTAIR.EU)**