



# INSTRUCTION MANUAL

FILTRATION SYSTEMS  
F1000-DFB  
F1000-B1B



RESIDENTIAL



## SPECIFICATIONS

Temperature range: .....	4,4-37,8°C
Pressure range: .....	2,75-6,89 bar
Service flow rate @ 4,1 bar:	
Model: F1000-DFB .....	2,83 Lpm
Model: F1000-B1B .....	2,27 Lpm
Rated service life:	
Model: F1000-DFB .....	2'839 L
Model: F1000-B1B .....	2'839 L
Dimensions: .....	311mm x 90mm x 122mm (12,25" x 3,5" x 4,8")
Weight:	
Model: F1000-DFB (system only).....	0,72 kg
Model: F1000-B1B (system only).....	0,81 kg

## PARTS INCLUDED

- Filter system with cartridge
- Installation hardware kit
- Lead-free drinking water faucet
- 3/8" (white and blue) plastic tubing

## PRECAUTIONS

**⚠ WARNING:** Do not use with water that is microbiologically unsafe or of unknown quality without adequate disinfection before or after the system. Systems certified for cyst reduction may be used on disinfected waters that may contain filterable cysts. Chemical and mechanical reduction unit.

**CAUTION** System must be protected against freezing, which can cause cracking of the filter and water leakage.

### NOTE:

- For cold water use only.
- Make certain that installation complies with all state and local laws and regulations.
- The system must be maintained according to manufacturer's recommendations, including replacement of filter cartridges. The contaminants or other substances removed or reduced by the selected cartridge are not necessarily in your water. Ask your local water municipality for a copy of their water analysis, or have your water tested by a reputable water testing lab.
- After prolonged periods of non-use (such as during a vacation) it is recommended that the system be flushed thoroughly. Let water run for 5–6 minutes before using.
- The filter cartridges used with this system have a limited service life. Changes in taste, odor, and/or flow of the water being filtered indicate the cartridge should be replaced.

## TOOLS AND MATERIALS REQUIRED

- Safety glasses
- Adjustable wrench
- Tube cutter or utility knife
- Hand or electric drill (cordless recommended)
- File
- 1/4" drill bit

If sink does not have hole for separate faucet:

- Center punch
- 3/4" drill bit or hole saw
- 3/32" drill bit

# INSTALLATION

## NOTE:

- For standard under-sink installation on 1/2" 14 NPS threads or 3/8" x 3/8" compression
- Please read all instructions and precautions before installing and using your filtration system
- Numbered diagrams correspond with numbered steps

### 1. Installing the water supply adapter

The supply adapter fits 1/2"-14 NPS supply threads or 3/8" x 3/8" compression. If local codes permit, it may be used to connect the system to the cold water supply line. If local codes do not permit the use of the supply adapter, alternate connectors can be obtained from your local supplier.

- Turn off cold water supply line. If cold water line does not have a shut-off valve under the sink, you should install one.
- Turn on the cold water faucet and allow all water to drain from line.
- Disconnect riser cold water supply valve.
- Ensure the sealing gasket is fully seated into the feed adapter valve female thread.
- Install feed adapter valve onto supply valve. Hand tighten only.
- Connect the riser to the feed adapter valve.

**NOTE: See figures 1G-1H for configuring the feed adapter to 3/8" x 3/8" compression connections.**

### 2. Selecting the faucet location

**NOTE: The drinking water faucet should be positioned with function, convenience, and appearance in mind. An adequate flat area is required to allow faucet base to rest securely. The faucet fits through a 3/4" hole. Most sinks have pre-drilled 1-3/8" or 1-1/2" diameter holes that may be used for faucet installation. If these pre-drilled holes cannot be used or are in an inconvenient location, it will be necessary to drill a 3/4" hole in the sink to accommodate the faucet.**

**CAUTION** This procedure may generate dust which can cause severe irritation if inhaled or come in contact with the eyes. The use of safety glasses and respirator for this procedure is recommended.

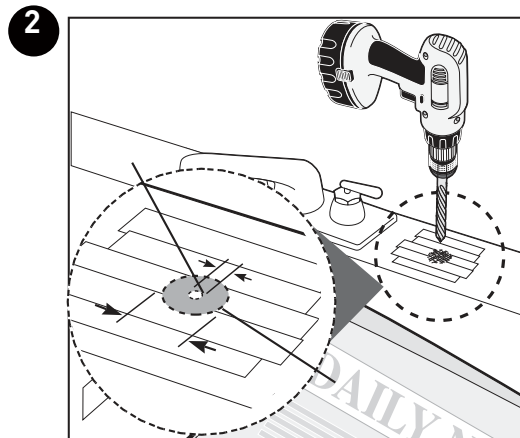
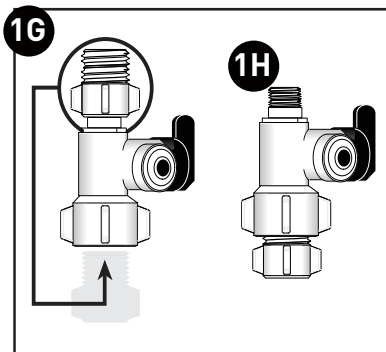
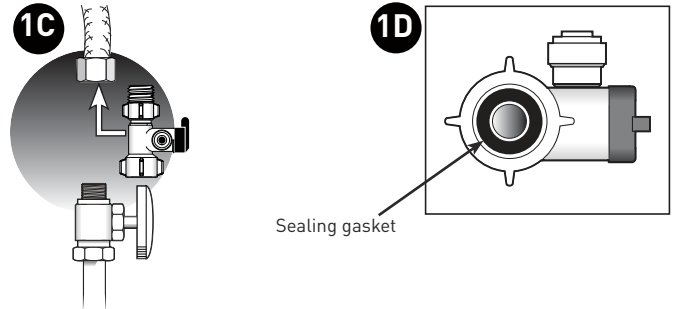
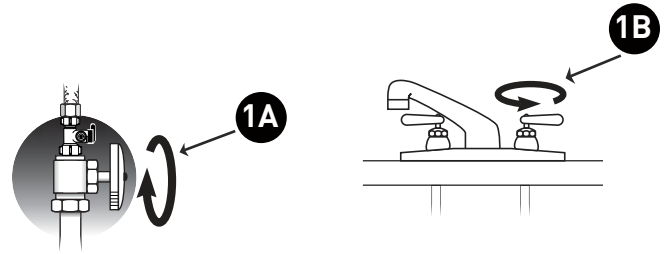
**CAUTION** DO NOT ATTEMPT TO DRILL THROUGH AN ALL-PORCELAIN SINK. If you have an all-porcelain sink, mount the faucet in pre-drilled sprayer hole or drill through countertop next to sink.

**CAUTION** When drilling through a countertop, make sure the area below the drilled area is free of wiring and piping. Make certain you have ample room to make the proper connections to the bottom of the faucet.

**CAUTION** Do not drill through a countertop that is more than 1" thick.

**CAUTION** Do not attempt to drill through a tiled, marble, granite or similar countertop. Consult a plumber or the countertop manufacturer for advice or assistance.

- Line bottom of sink with newspaper to prevent metal shavings, parts, or tools from falling down the drain.
- Place masking tape over the area to be drilled to prevent scratches if drill bit slips.
- Mark hole with center punch. Use a 1/4" drill bit to drill pilot hole.
- Use a 3/4" drill bit and drill a hole completely through sink.
- Smooth rough edges with a file.



## INSTALLATION CONTINUED

### 3. Mounting the faucet

- Apply 3-5 wraps of plumber tape to faucet stem.
- Assemble faucet as shown in (figure 3).
- Screw quick connector onto threaded end of faucet stem.
- Place a mark 5/8" from one end of the blue tubing. Wet the end of the 3/8" tube and push into bottom of connector. The 5/8" mark should be flush with the collar of the connector.

**NOTE:** To remove the tube, push on the fittings' collar and pull the tube out.

- Holding the faucet, feed the tubing through the hole in the sink. Position the faucet handle at a desired location.
- Center the faucet and slip slotted disc between the bottom of the counter or sink and lock washer. Tighten the stem nut with a wrench until it is tight.
- Firmly insert spout into faucet base.

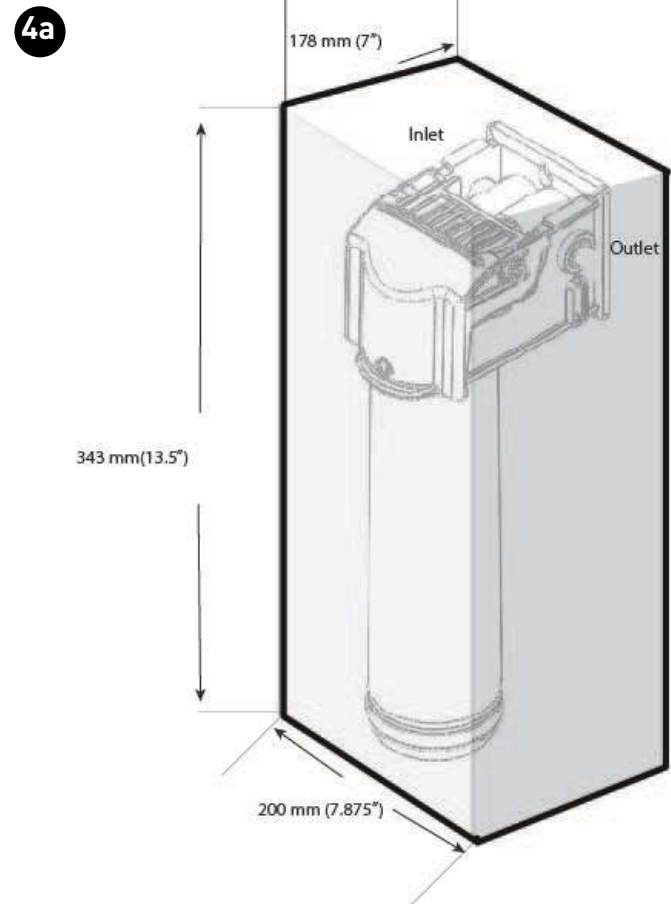
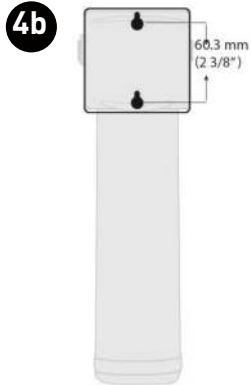
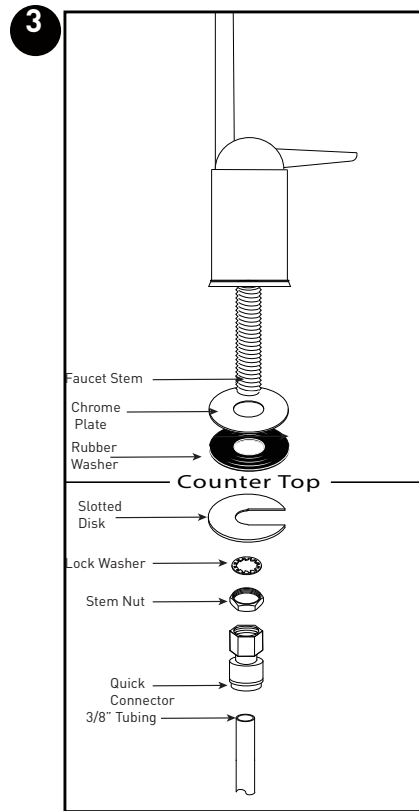
### 4. Mounting the system

- Select a location under the sink, or other suitable area where the system will be installed.

**NOTE:** The system carton can be used to determine the operational footprint required for installation of the system and replacement cartridges. (figure 4a)

- Mount the system vertically. Dimensions in the diagram allow for cartridge or system removal. Ensure mounting is level. Use the 3/32" drill bit to create pilot holes for the mounting (figure 4b).

**⚠ WARNING:** The system should be mounted to a firm, solid surface that is able to support the weight of the system.



## INSTALLATION CONTINUED

### 5. Connecting the faucet to the system

- A. Determine the length of plastic blue tubing needed to connect to the outlet (right) side of the filter from the faucet. Be sure to allow enough tubing to prevent kinking and cut the tubing squarely. Use a marker to mark one end of the tubing 5/8" from the end (Figure 5). Wet the end of the 3/8" tube and push into the outlet (right) connection of the system up to the mark.

**CAUTION** Do not bend or crimp tube inserting.

- B. Gently pull back on the tube to ensure it is connected properly.

### 6. Connecting the supply adapter

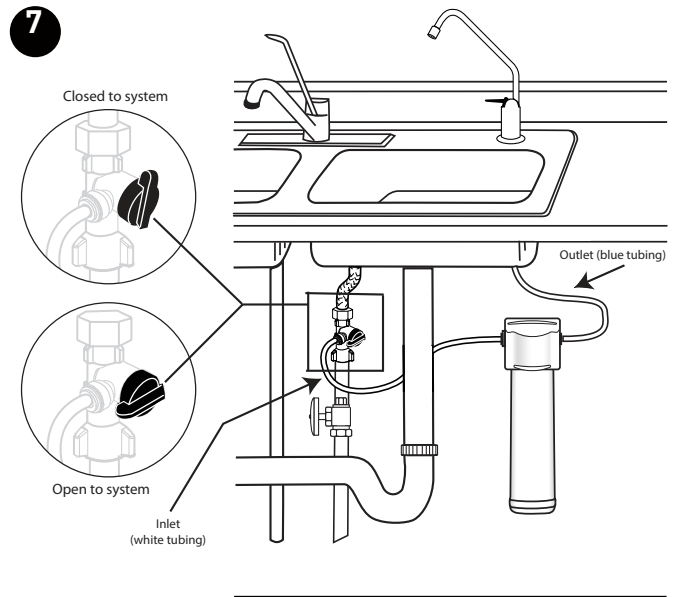
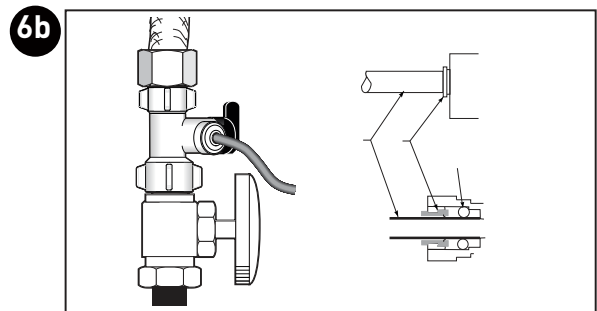
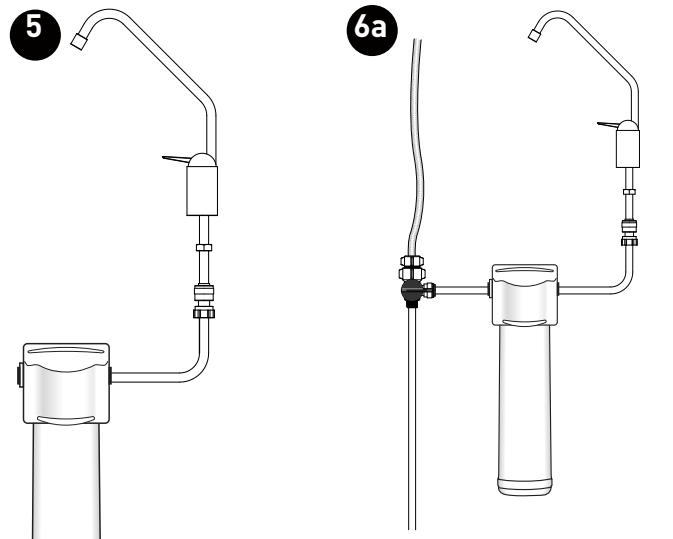
- A. Determine the length of plastic white tubing needed to connect the inlet (left) side of the filter with the feed adapter installed on the cold water supply line. Be sure to allow enough tubing to prevent kinking and cut the tubing squarely. Place a mark 5/8" from one end of the tubing. Wet the end of the tubing. Insert the end of the tubing into the 3/8" fitting of the inlet supply adapter. The 5/8" mark should be flush with the collar of the fitting located on the inlet supply adapter (figure 6a).
- B. Mark the remaining end of the tubing. Use a marker to mark 5/8" from the end. Wet the end of the tube. Insert the end into the feed connection on the inlet side (left) of the system. The tube should go in up to the mark. (figure 6b).

### 7. Placing the system into operation

- A. Slowly turn on the cold water supply. Ensure that the feed adapter valve is also open.
- B. Open faucet and flush filter for 10 minutes. Discard water.
- C. Check for leaks at all fittings before leaving installation. If leaks appear, see troubleshooting.

**NOTE:** A drinking water cartridge may contain carbon fines (very fine black powder). If carbon fines appear in the water, discard water. More flushing is required if carbon fines are present.

**NOTE:** Initially, filtered water may appear cloudy. If cloudiness in a glass of water disappears from the bottom; fine air bubbles are present. This air within the water will disappear within a few weeks after installation.



INSTALLATION IS NOW COMPLETE.

## FILTER CARTRIDGES REPLACEMENT

**NOTE:** The life of the filter cartridges depends on water volume used and the quality of the feed water. It is recommended that the filter cartridges be replaced every 6-12 months, or when there is a noticeable change in taste, odor, or flow of filtered water.

**Ensure the correct cartridge is purchased for the system.**

Model F1000-DFB uses FDF1-RC replacement cartridge

Model F1000-B1B uses F1B1-RC replacement cartridge

### 8. Cartridge replacement

- Relieve pressure by turning off the water supply to the system and opening a faucet until water flow stops. Place a bucket or towel under the system to catch any water drips (figure 8a).
- Lift the locking bar upward until the filter cartridge disengages from the filter head assembly (figure 8b).
- Pull the cartridge away from the filter head assembly and ensure the locking bar remains in the fully up position (figure 8c).
- Align the ports on the filter cartridge with the ports in the filter head assembly. Slide the cartridge filter towards into the filter head assembly engaging with the locking bar causing it to drop forward and down. (figure 8d).
- Pull down the locking bar until it snaps into place (figure 8e).

**NOTE:** See placing the system into operation section for remaining steps.

## TROUBLESHOOTING

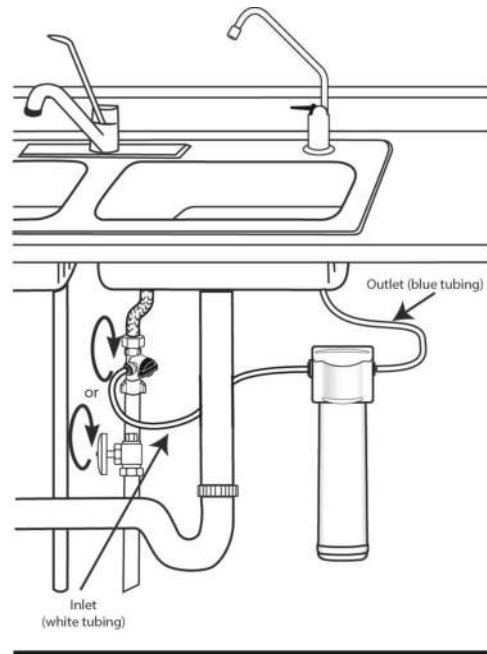
### Leaks between filter head assembly and filter cartridge

- Relieve pressure by turning off the water supply to the system and opening faucet until water flow stops. Place a bucket or towel under the system to catch any water drips.
- Remove cartridge and inspect O-rings to make sure they are seated and clean.
- Install filter cartridge. Place system into operation and check for leaks. If leaks persist, turn off the water supply and contact your distributor.

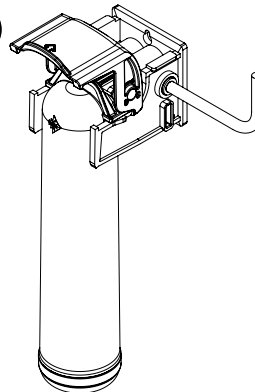
### Leaks from tubing fittings

- Relieve pressure by turning off the water supply to the system and opening faucet until water flow stops. Place a bucket or towel under the system to catch any water drips.
- Depress collet on system or inlet supply adapter tubing fittings and pull tubing from fitting. Inspect surface of tubing for scratches or debris. Clean or cut back tubing to access clean surface.
- Wet the end of the inlet tubing and press into the inlet fitting of the system. Ensure the tubing is fully pushed past the fitting O-rings. Place system into operation and check for leaks. If leaks persist, turn off the water supply and contact your distributor.

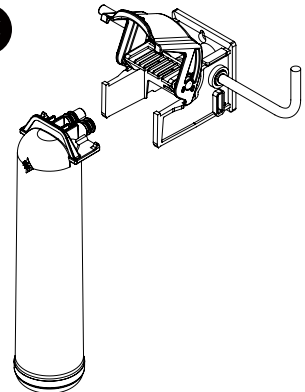
8a



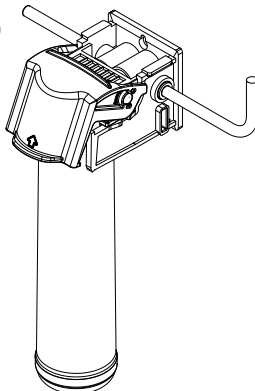
8b



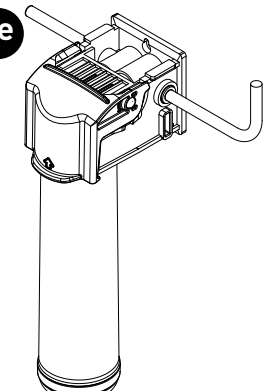
8c



8d



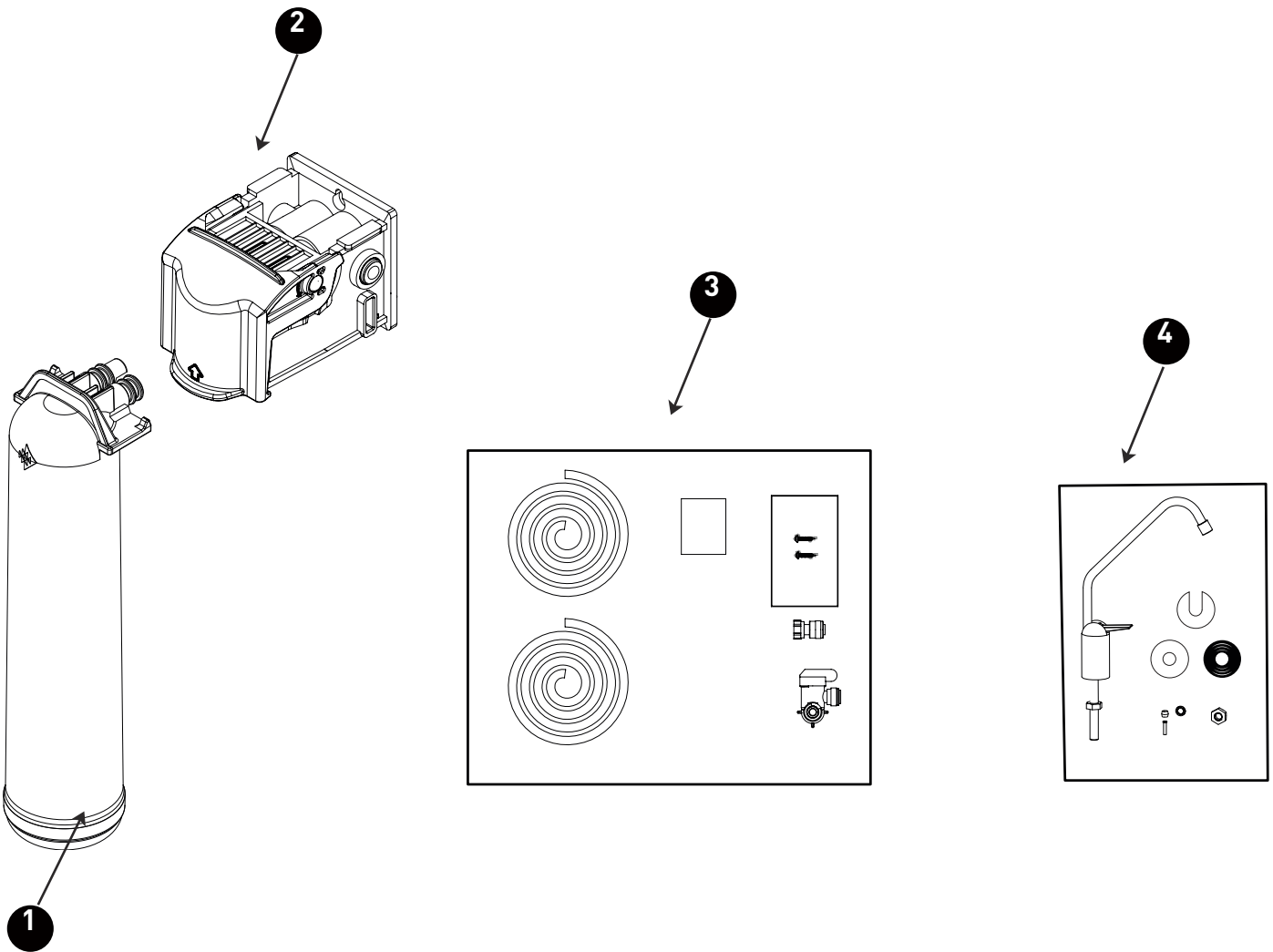
8e



# REPLACEMENT PARTS

ITEM NUMBER	PART NUMBER	DESCRIPTION	QUANTITY REQUIRED
1	655123-96	Cartridge, FDF1-RC	1
	655120-96	Cartridge, F1B1-RC	1
2	4004601	Filter head, model F1000-DFB	1
	4004602	Filter head, model F1000-B1B	1
3	4004294	Installation kit	1
4	244960*	Faucet	1

\*Image may be different than actual faucet



For replacement parts, contact your nearest Pentair distributor.

## PERFORMANCE DATA

Important notice: read performance data and compare the capabilities of the system with your actual water treatment requirements. It is recommended that the supply water be tested, before installing a water treatment system, to determine your water treatment needs.

### Test conditions

Flow rate

F1000-DFB	= 2,83 Lpm
F1000-B1B	= 2,27 Lpm

### Filter capacity

F1000-DFB	= 2'839 L
F1000-B1B	= 2'839 L
Inlet pressure	= 4,1 bar
Temperature	= 20°C +/- 2,5°C

Testing was performed under standard laboratory conditions, actual performance may vary,

Operating requirements for F1000-DFB and F1000-B1B systems:

Pressure	= 2,75–6,89 bar
Temperature	= 4,4–37,8°C

## F1000-DFB SYSTEM INSTALLED WITH FDF1-RC FILTER CARTRIDGE

This system have been tested according to NSF/ANSI 42 for reduction of the substances listed below. The concentration of the indicated substances in water entering the system was reduced to a concentration less than or equal to the permissible limit for water exiting the system, as specified in NSF/ANSI 42.

### Model F1000-DFB

Substance	Influent challenge concentration	Max. permissible product water concentration	Reduction requirements	Minimum reduction	Average reduction
Standard 42					
Chlorine taste & odor	2,0 mg/L±10%		≥50%		88,8%

Flow rate = 2,8 Lpm; capacity = 2'839 L or 12 months

Testing was performed under standard laboratory conditions, actual performance may vary.

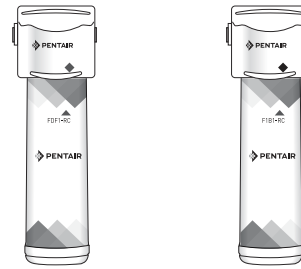


The Model F1000-DFB is Tested and Certified by NSF International against NSF/ANSI Standard 42 and CSA B483.1 for the reduction of substances specified on the Performance Data Sheet.

## CARTRIDGE SEQUENCE

F1000-DFB

F1000-B1B



## F1000-B1B SYSTEM INSTALLED WITH F1B1- RC FILTER CARTRIDGE

This system has been tested according to NSF/ANSI 42 and 53 for reduction of the substances listed below. The concentration of the indicated substances in water entering the system was reduced to a concentration less than or equal to the permissible limit for water exiting the system, as specified in NSF/ANSI 42 and 53.

### Model F1000-B1B

Substance	Influent challenge concentration	Max. permissible product water concentration	Reduction requirements	Minimum reduction	Average reduction
Standard 42					
Chlorine taste & odor	2,0 mg/L±10%		≥50%		95,9%
Particulates (0,5-<1µM) class 1*	at least 10'000 particulates/mL		>85%		97,9%
Standard 53					
Cysts **	Minimum 50'000/L		99,95%	99,97%	99,99%
Atrazine	0,009 mg/L ± 10%	0,003 mg/L		90,5%	93,7%
Lead [pH 6,5]	0,15 mg/L ± 10%	0,010 mg/L		99,3%	99,9%
Lead [pH 8,5]	0,15 mg/L ± 10%	0,010 mg/L		99,3%	99,6%
Lindane	0,002 mg/L ± 10%	0,0002 mg/L		94,8%	97,4%

Flow rate = 2,2 Lpm; capacity = 2'839 L or 12 months

Testing was performed under standard laboratory conditions, actual performance may vary.

\* Reduces particles as small as 0,5-1 micron in size by mechanical means

\*\* NSF/ANSI Standard 53 certified to reduce cysts such as Cryptosporidium and Giardia by mechanical means.



The Model F1000-B1B is Tested and Certified by NSF International against NSF/ANSI Standard 42, 53, and CSA B483.1 for the reduction of substances specified on the Performance Data Sheet.



# MANUEL D'UTILISATION

SYSTÈMES DE  
FILTRATION  
F1000-DFB  
F1000-B1B



RÉSIDENTIEL



## SPÉCIFICATIONS

Plage de température : .....4,4 à 37,8°C  
Plage de pression : ..... 2,75 à 6,89 bar  
Débit de service à 4,1 bar  
Modèle : F1000-DFB .....2,83 l/min  
Modèle : F1000-B1B .....2,27 l/min  
Durée de vie nominale :  
Modèle : F1000-DFB .....2839 l  
Modèle : F1000-B1B .....2839 l  
Dimensions: ..... 311 mm x 90 mm x 122 mm  
(12,25" x 3,5" x 4,8")  
Poids :  
Modèle : F1000-DFB (système uniquement).....0,72 kg  
Modèle : F1000-B1B (système uniquement).....0,81 kg

## COMPOSANTS INCLUS

- Système de filtration avec cartouche
- Kit d'installation
- Robinet d'eau potable sans plomb
- Tuyau en plastique (blanc et bleu) de 3/8"

## PRÉCAUTIONS

**⚠ AVERTISSEMENT:** Ne pas utiliser sur de l'eau dont la qualité microbiologique est incertaine ou inconnue sans désinfection appropriée en amont et en aval du système. Un système certifié pour réduire le taux de kystes que présentent certaines eaux désinfectées devra éventuellement être installé. Dispositif de réduction par action chimique et mécanique.

**MISE EN GARDE** Le système doit être protégé contre le gel, qui pourrait provoquer des fissures et des fuites d'eau.

### REMARQUE :

- Pour utilisation sur eau froide uniquement.
- Veillez à ce que l'installation satisfasse à la législation et à toutes les lois et réglementations nationales et locales.
- L'entretien du système, en ce compris le remplacement des cartouches filtrantes, doit être conforme aux consignes du fabricant. Les contaminants ou autres substances éliminés ou réduits par la cartouche sélectionnée ne sont pas nécessairement présents dans votre eau. Contactez la municipalité en charge du traitement de l'eau locale pour obtenir une copie de leur analyse d'eau, ou faites contrôler votre eau d'alimentation par un laboratoire de contrôle de l'eau qualifié.
- Après une période prolongée sans utilisation, comme lors de vacances, nous vous recommandons de rincer entièrement le système. Laissez couler l'eau pendant 5 à 6 minutes avant de l'utiliser.
- Les cartouches de filtration utilisées dans ce système ont une durée de vie limitée. Toute modification du goût, de l'odeur, et/ou du débit de l'eau filtrée indique que les cartouches filtrantes doivent être remplacées.

## OUTILS ET MATÉRIEL REQUIS

- Lunettes de protection
- Clé à molette réglable
- Coupe-tube ou couteau universel
- Perceuse manuelle ou électrique (sans fil de préférence)
- Lime
- Trépan 1/4"

Si l'évier ne comprend pas un orifice destiné à un robinet séparé :

- Poinçon à centrer
- Trépan 3/4" ou scie-cloche
- Trépan 3/32"

# INSTALLATION

## REMARQUE :

- Pour une installation sous-évier standard sur des filetages de 1/2" 14 DN ou une compression 3/8" x 3/8"
- Veuillez lire attentivement toutes les consignes et précautions avant de procéder à l'installation et à l'utilisation du système.
- Les numéros qui apparaissent sur les illustrations correspondent à ceux des opérations à effectuer.

### 4. Installation de l'adaptateur d'alimentation en eau

L'adaptateur d'alimentation est conçu pour des filetages de 1/2" 14 DN ou une compression de 3/8" x 3/8". Si la réglementation locale en vigueur l'autorise, vous pouvez l'utiliser pour raccorder le système à la conduite d'alimentation en eau froide. Si la réglementation locale en vigueur n'autorise pas l'utilisation d'un adaptateur d'alimentation, vous pourrez vous procurer des raccords de substitution auprès de votre fournisseur local.

- F. Coupez la conduite d'alimentation en eau froide. Si la conduite d'alimentation en eau froide n'est pas équipée d'une vanne d'arrêt montée sous l'évier, installez-en une.
- G. Ouvrez le robinet d'eau froide et patientez jusqu'à ce que la conduite se soit vidée de son eau.
- H. Débranchez la vanne d'alimentation en eau froide de la conduite verticale.
- I. Assurez-vous que le joint d'étanchéité est bien inséré dans le filetage femelle de l'adaptateur d'alimentation.
- J. Installez la vanne de l'adaptateur d'alimentation sur la vanne d'alimentation. Serrez à la main uniquement.
- K. Connectez la conduite verticale à la vanne de l'adaptateur d'alimentation.

**REMARQUE :** voir les figures 1G-1H pour configurer l'adaptateur d'alimentation sur des raccords de compression 3/8" x 3/8".

### 5. Sélection de l'emplacement du robinet

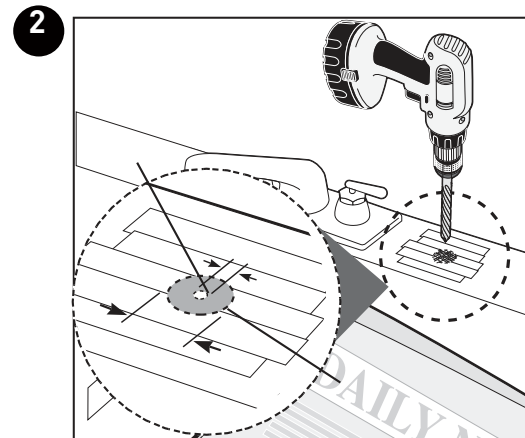
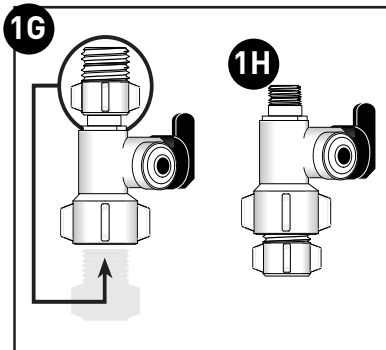
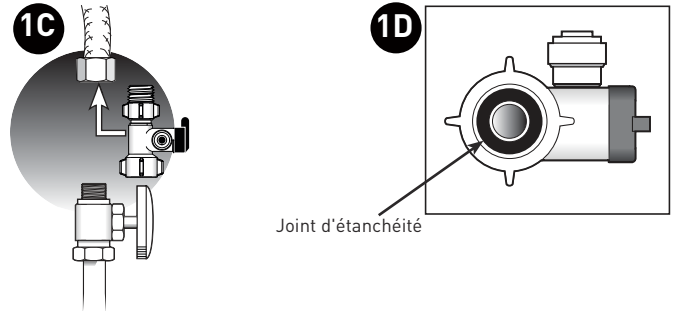
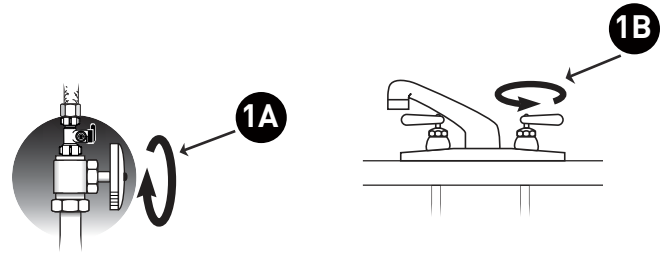
**REMARQUE :** Positionnez le robinet d'eau potable en tenant compte de la fonctionnalité, du confort d'utilisation et de l'esthétique de cette installation. Pour que le socle du robinet repose solidement sur sa surface d'appui, il faut prévoir un support d'une planéité adéquate. L'embase du robinet s'emboîte sans difficulté dans tout orifice de 3/4". La plupart des éviers sont dotés d'orifices prépercés de 1-3/8" ou de 1-1/2" de diamètre qui peuvent être utilisés pour le montage du robinet. Si ces orifices prépercés s'avèrent inutilisables ou inconfortables, il faudra procéder au percement d'un passage de 3/4" à travers l'évier pour accueillir le robinet.

**MISE EN GARDE** Cette procédure risque de s'accompagner d'un dégagement de poussières susceptible de provoquer une irritation sérieuse en cas d'inhalation ou de contact avec les yeux. Le port de lunettes de protection et d'un masque respiratoire est recommandé lors de cette procédure.

**MISE EN GARDE** NE TENTEZ PAS DE PERCER UN ÉVIER EN PORCELAIN. Si vous disposez d'un évier en porcelaine, montez le robinet à travers le plan de travail ou un orifice d'aspersion prépercé.

**MISE EN GARDE** Lors du percement d'un plan de travail, assurez-vous qu'aucun câble ni aucune canalisation ne passe dans la zone située sous la surface à percer. Assurez-vous que le dégagement est suffisant pour permettre le raccordement sur l'embase du robinet.

**MISE EN GARDE** Ne percez pas un plan de travail d'une épaisseur supérieure à 1".



## INSTALLATION (SUITE)

**MISE EN GARDE** Ne tentez pas de percer un plan de travail carrelé, en marbre, en granit ou dans un matériau analogue. Consultez un plombier ou le fabricant du plan de travail pour bénéficier de conseils avisés.

- Recouvrez le fond de l'évier de vieux journaux pour prévenir la chute de copeaux de métal, pièces ou outils dans la conduite d'évacuation.
- Posez du ruban de masquage sur la zone à percer afin de prévenir toute rayure du support en cas de dérapage du trépan.
- Repérez le centre de l'orifice à l'aide d'un poinçon à centrer. Servez-vous d'un trépan de 1/4" pour percer le trou guide.
- Servez-vous d'un trépan de 3/4" pour percer un orifice adéquat à travers l'évier.
- Rodez les arêtes vives à la lime.

### 6. Montage du robinet

- Appliquez 3 à 5 tours de ruban de plomberie sur la tige du robinet.
- Assemblez le robinet comme indiqué dans la figure 3.
- Vissez le raccord rapide sur l'extrémité fileté de la tige du robinet.
- Placez un repère à une distance de 5/8" par rapport à l'extrémité du tuyau bleu. Humidifiez l'extrémité du tuyau de 3/8" et insérez-le dans le bas du raccord. Le repère 5/8" doit affleurer avec la collerette du raccord.

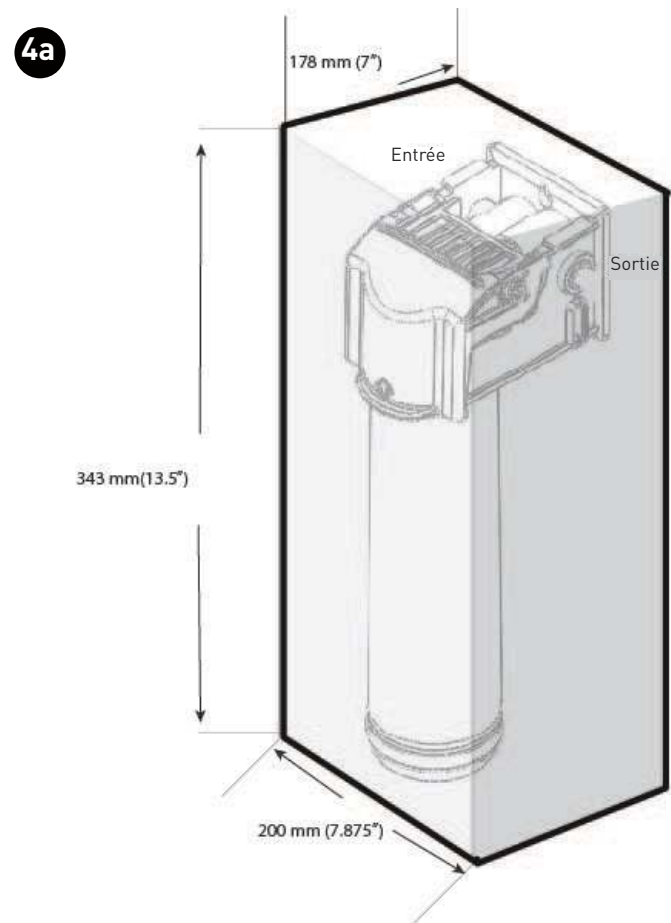
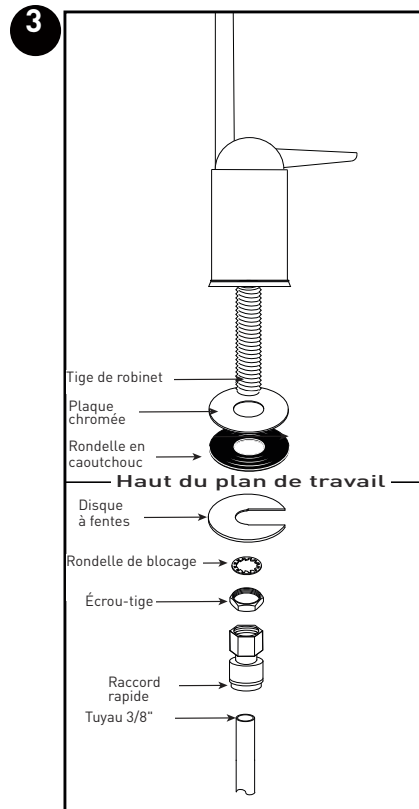
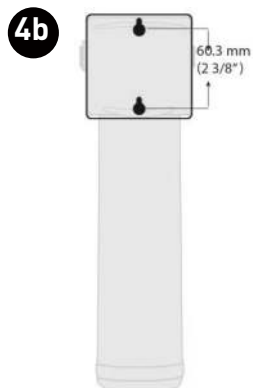
**REMARQUE :** Pour retirer le tuyau, pressez la collerette et tirez le tuyau.

- En maintenant le robinet, faites passer le tuyau dans l'orifice de l'évier. Positionnez la poignée du robinet à l'emplacement désiré.
- Centrez le robinet et coulissez le disque à fentes entre le bas du plan de travail ou de l'évier et la rondelle de blocage. Serrez l'écrou-tige avec une clé jusqu'à le bloquer.
- Insérez fermement le bec sur la base du robinet.

### 7. Montage du système

- Choisissez un emplacement sous l'évier ou toute autre zone adéquate pour installer le système.

**REMARQUE :** Le carton du système peut être utilisé pour déterminer l'empreinte opérationnelle requise pour l'installation du système et des cartouches de remplacement (figure 4a).



## INSTALLATION (SUITE)

B. Montez le système verticalement. Les dimensions indiquées sur l'illustration prennent en compte le retrait de la cartouche ou du système. Assurez-vous que le montage est à niveau. Utilisez un trépan de 3/32" pour forer des trous guides destinés au montage.

**⚠ AVERTISSEMENT:** Le système doit être installé sur une surface solide et stable capable de supporter son poids.

### 8. Raccordement du robinet au système

A. Déterminez la longueur nécessaire du tuyau en plastique bleu pour raccorder le côté sortie (à droite) du filtre au robinet. Veillez à ce que la longueur de ce tuyau soit suffisante pour prévenir tout risque de coagulation, puis coupez celui-ci à angle droit. Utilisez un feutre pour indiquer un repère à 5/8" d'une extrémité du tuyau (figure 5). Humidifiez l'extrémité du tuyau 3/8" et poussez-le à l'intérieur du raccord de sortie (à droite) du système jusqu'au repère.

**MISE EN GARDE** Ne pliez pas et ne tordez pas le tuyau en l'introduisant.

B. Exercez une légère traction sur le tuyau pour vous assurer de son raccordement correct.

### 9. Raccordement de l'adaptateur d'alimentation

A. Déterminez la longueur nécessaire du tuyau en plastique blanc pour raccorder le côté entrée (gauche) du filtre à l'adaptateur d'alimentation installé sur la canalisation d'alimentation en eau froide. Veillez à ce que la longueur de ce tuyau soit suffisante pour prévenir tout risque de coagulation, puis coupez celui-ci à angle droit. Placez un repère à une distance de 5/8" par rapport à l'extrémité du tuyau. Humidifiez l'extrémité du tuyau. Introduisez l'extrémité du tuyau dans le raccord de 3/8" de l'adaptateur d'alimentation. Le repère à 5/8" doit affleurer avec la collerette du raccord situé sur l'adaptateur d'alimentation (figure 6a).

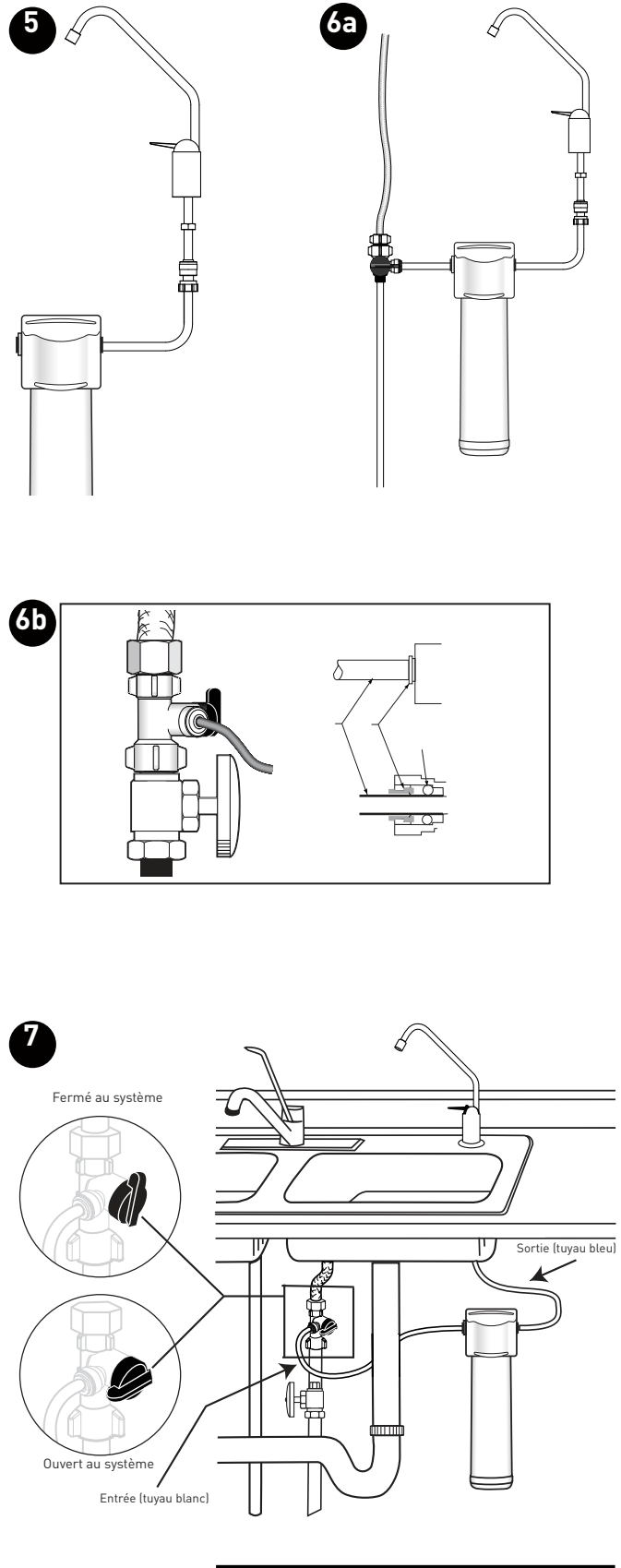
B. Marquez l'extrémité restante du tuyau. Utilisez un feutre pour indiquer un repère à 5/8" de l'extrémité. Humidifiez l'extrémité du tuyau. Insérez l'extrémité dans le raccord d'alimentation du côté entrée (gauche) du système. Le tuyau doit pénétrer jusqu'au repère (figure 6b).

### 10. Mise en service du système

- Ouvrez lentement l'alimentation en eau froide. Assurez-vous que la vanne de l'adaptateur d'alimentation est ouverte.
- Ouvrez le robinet et rincez le filtre pendant 10 minutes. Jetez l'eau.
- Vérifiez l'absence de fuite à tous les raccords avant de quitter l'installation. En cas de fuite, reportez-vous au chapitre Dépannage.

**REMARQUE :** Une cartouche filtrante peut contenir des particules de charbon (poudre noire extrêmement fine). Si l'eau contient des particules de charbon, jetez-la. Un nouveau rinçage s'impose en présence de particules de charbon.

**REMARQUE :** Initialement, l'eau filtrée peut présenter une apparence trouble. Si la turbidité dans un verre d'eau disparaît en partant du fond, cela indique la présence de petites bulles d'air. Cet air disparaîtra quelques semaines après l'installation.



L'INSTALLATION EST À PRÉSENT ACHEVÉE.

## REPLACEMENT DE LA CARTOUCHE FILTRANTE

**REMARQUE :** La durée de vie des cartouches filtrantes dépend du volume d'eau utilisé et de la qualité de l'eau d'alimentation. Il est recommandé de remplacer les cartouches filtrantes tous les 6 à 12 mois ou en cas de changement perceptible de goût, d'odeur ou de débit de l'eau filtrée.

**Veillez à acheter la cartouche adaptée au système.**

Le modèle F1000-DFB utilise une cartouche de rechange FDF1-RC.  
Le modèle F1000-B1B utilise une cartouche de rechange F1B1-RC.

### 11. Remplacement de la cartouche

- Diminuez la pression en coupant l'alimentation en eau au système et en ouvrant un robinet jusqu'à ce que l'eau ne coule plus. Placez un seau ou une serpillière sous le système pour récupérer l'eau qui pourrait s'égoutter (figure 8a).
- Soulevez la barre de verrouillage jusqu'à ce que la cartouche filtrante se dégage de la tête de filtrage (figure 8b).
- Retirez la cartouche de la tête de filtrage et assurez-vous que la barre de verrouillage reste bien en position verticale (figure 8c).
- Alignez les broches de la cartouche filtrante avec les trous de la tête de filtrage. Faites glisser la cartouche filtrante dans la tête de filtrage en engageant la barre de verrouillage, ce qui aura pour effet de la faire tomber vers l'avant (figure 8d).
- Tirez la barre de verrouillage jusqu'à ce qu'elle s'emboîte (figure 8e).

**REMARQUE :** voir la section Mise en service du système pour les étapes restantes.

## DÉPANNAGE

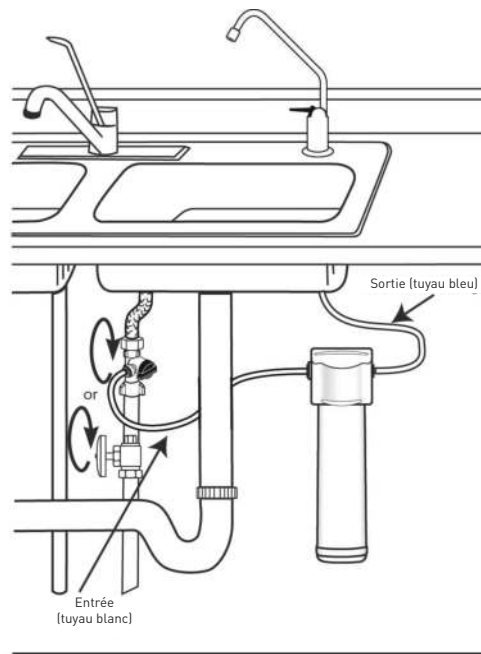
### Fuites entre la tête de filtrage et la cartouche filtrante

- Diminuez la pression en coupant l'alimentation en eau au système et en ouvrant un robinet jusqu'à ce que l'eau ne coule plus. Placez un seau ou une serpillière sous le système pour récupérer l'eau qui pourrait s'égoutter.
- Déposez la cartouche et inspectez les joints toriques pour vous assurer de leur propreté et de leur positionnement correct.
- Installez la cartouche filtrante. Mettez le système en service et vérifiez l'absence de fuite. Si des fuites persistent, coupez l'arrivée d'eau et contactez votre fournisseur.

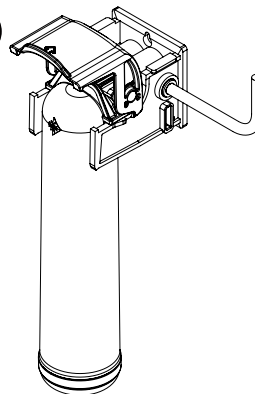
### Fuites des raccords de tuyau.

- Diminuez la pression en coupant l'alimentation en eau au système et en ouvrant un robinet jusqu'à ce que l'eau ne coule plus. Placez un seau ou une serpillière sous le système pour récupérer les gouttes d'eau éventuelles.
- Appuyez sur la collerette du système ou sur les raccords du tuyau de l'adaptateur d'alimentation et retirez le tuyau du raccord. Inspectez la surface du tuyau et vérifiez la présence de rayures ou de débris. Nettoyez ou raccourcissez le tuyau pour avoir une surface propre.
- Humidifiez l'extrémité du tuyau d'alimentation et enfoncez-le dans le raccord d'alimentation du système. Assurez-vous que le tuyau est entièrement enfoncé au-delà des joints toriques du raccord. Mettez le système en service et vérifiez l'absence de fuite. Si des fuites persistent, coupez l'arrivée d'eau et contactez votre fournisseur.

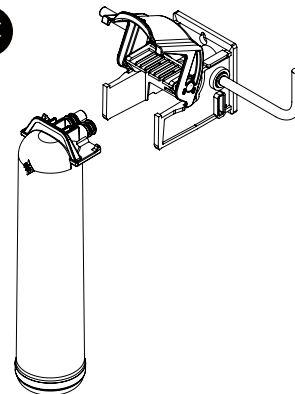
8a



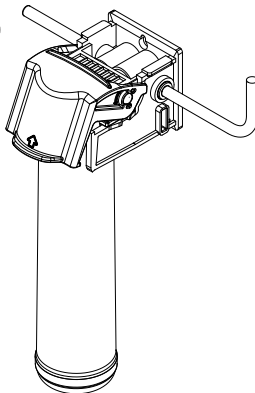
8b



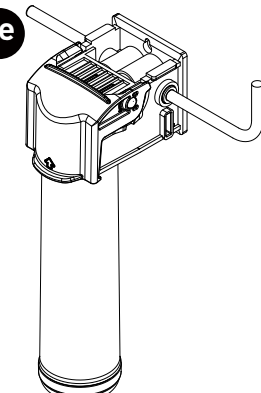
8c



8d



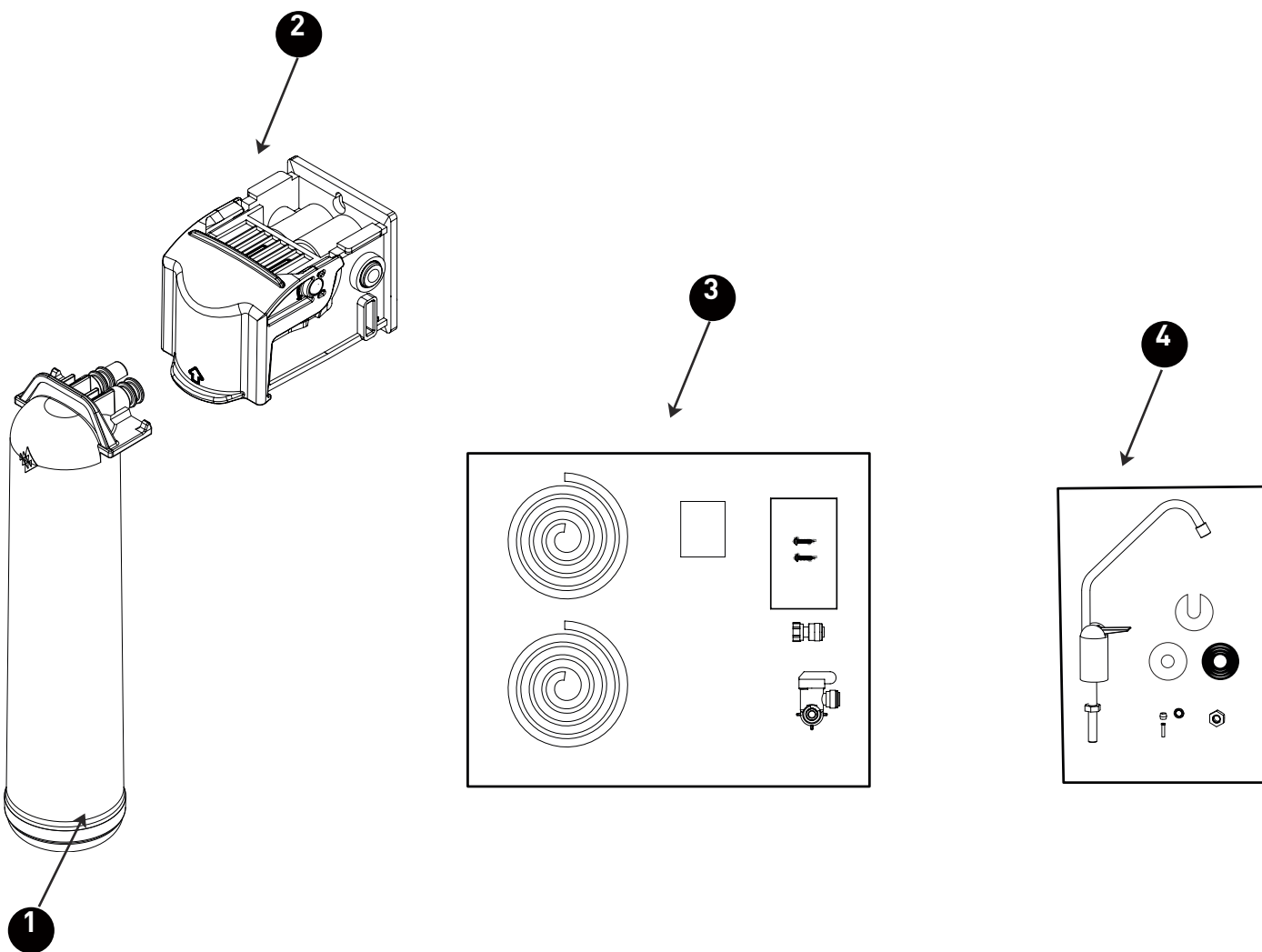
8e



## PIÈCES DE RECHANGE

RÉFÉ-RENCE	CODE PRODUIT	DESCRIPTION	QUANTITÉ REQUISE
1	655123-96	Cartouche, FDF1-RC	1
	655120-96	Cartouche, F1B1-RC	1
2	4004601	Tête de filtrage, modèle F1000-DFB	1
	4004602	Tête de filtrage, modèle F1000-BIB	1
3	4004294	Kit d'installation	1
4	244960*	Robinet	1

\*L'illustration peut différer du robinet réel.



Pour des pièces de rechange, contactez votre fournisseur Pentair le plus proche.

## CARACTÉRISTIQUES DE PERFORMANCE

Remarque importante : lisez les caractéristiques de performance et comparez les capacités du système avec vos besoins réels en matière de traitement de l'eau. Il est recommandé de tester votre alimentation en eau avant d'installer un système de traitement de l'eau, afin de déterminer vos besoins en la matière.

### Conditions de test

Débit  
 F1000-DFB = 2,83 l/min  
 F1000-B1B = 2,27 l/min

### Capacité du filtre

F1000-DFB = 2839 l  
 F1000-B1B = 2839 l  
 Pression à l'entrée = 4,1 bar  
 Température = 20°C +/- 2,5°C

Les tests ont été effectués dans des conditions de laboratoire standard ; la performance réelle peut varier.

Exigences de fonctionnement pour les systèmes F1000-DFB et F1000-B1B :

Pression = 2,75 à 6,89 bar  
 Température = 4,4 à 37,8°C

## SYSTÈME F1000-DFB AVEC CARTOUCHE FILTRANTE FDF1-RC

Ce système a été testé conformément à la norme NSF/ANSI 42 relative à la réduction des substances mentionnées ci-après. La concentration de ces substances dans l'eau qui entre dans le système a été réduite à des taux inférieurs ou égaux à la limite autorisée pour l'eau à la sortie du système, conformément à la norme NSF/ANSI 42.

### Modèle F1000-DFB

Substance	Concentration infiltrante	Concentration maximale admissible du produit dans l'eau	Exigences de réduction	Réduction minimale	Réduction moyenne
Norme 42					
Chlore, goût et odeur	2,0 mg/l ± 10 %		≥ 50 %		88,8 %

Débit = 2,8 l/min ; capacité = 2839 l ou 12 mois

Les tests ont été effectués dans des conditions de laboratoire standard ; la performance réelle peut varier.



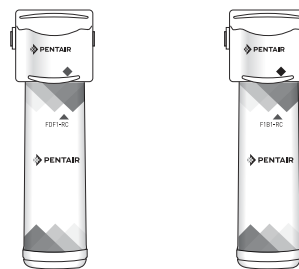
Le modèle F1000-DFB a été mis à l'essai et est homologué par NSF International en regard des normes NSF/ANSI 42 et CSA B483.1 pour la réduction des substances indiquées dans la fiche technique du produit.

C US

## SÉQUENCE DE LA CARTOUCHE

F1000-DFB

F1000-B1B



## SYSTÈME F1000-B1B AVEC CARTOUCHE FILTRANTE F1B1-RC

Le système a été testé conformément aux normes NSF/ANSI 42 et 53 relatives à la réduction des substances mentionnées ci-après. La concentration de ces substances dans l'eau qui entre dans le système a été réduite à des taux inférieurs ou égaux à la limite autorisée pour l'eau à la sortie du système, conformément aux normes NSF/ANSI 42 et 53.

### Modèle F1000-B1B

Substance	Concentration infiltrante	Concentration maximale admissible du produit dans l'eau	Exigences de réduction	Réduction minimale	Réduction moyenne
Norme 42					
Chlore, goût et odeur	2,0 mg/l ± 10 %		≥ 50 %		95,9 %
Particules (0,5 à < 1 µm) Classe 1*	au moins 10 000 particules/ml		> 85 %		97,9 %
Norme 53					
Kystes**	Minimum de 50 000/l		99,95 %	99,97 %	99,99 %
Atrazine	0,009 mg/l ± 10 %	0,003 mg/l		90,5 %	93,7 %
Plomb (pH 6,5)	0,15 mg/l ± 10 %	0,010 mg/l		99,3 %	99,9 %
Plomb (pH 8,5)	0,15 mg/l ± 10 %	0,010 mg/l		99,3 %	99,6 %
Lindane	0,002 mg/l ± 10 %	0,0002 mg/l		94,8 %	97,4 %

Débit = 2,2 l/min ; capacité = 2839 l ou 12 mois

Les tests ont été effectués dans des conditions de laboratoire standard ; la performance réelle peut varier.

\*Réduction mécanique des particules d'à peine 0,5 à 1 micron.

\*\*Homologué selon la norme NSF/ANSI 53 pour réduire les kystes comme Cryptosporidium et Giardia par des moyens mécaniques.



Le modèle F1000-B1B a été mis à l'essai et est homologué par NSF International en regard des normes NSF/ANSI 42/53 et CSA B483.1 pour la réduction des substances indiquées dans la fiche technique du produit.

C US



# BEDIENUNG- HANDBUCH

FILTRATIONSSYSTEME  
F1000-DFB  
F1000-B1B



HAUSHALTSUMGEBUNG



## **KENNDATEN**

Temperaturbereich: .....	4,4–37,8 °C
Druckbereich: .....	2,75–6,89 bar
Betriebsdurchfluss bei 4,1 bar:	
Artikel: F1000-DFB .....	2,83 L/min.
Artikel: F1000-B1B .....	2,27 L/min.
Nennlebensdauer:	
Artikel: F1000-DFB .....	2.839 L
Artikel: F1000-B1B .....	2.839 L
Abmessungen: .....	311 mm x 90 mm x 122 mm (12,25" x 3,5" x 4,8")
Gewicht:	
Artikel: F1000-DFB (nur Anlage) .....	0,72 kg
Artikel: F1000-B1B (nur Anlage) .....	0,81 kg

## **ENTHALTENE TEILE**

- Filtersystem mit Kartusche
- Installationsmaterialsatz
- Bleifreier Trinkwasserhahn
- 3/8"-Kunststoffverrohrung (weiß/blau)

## **SICHERHEITSHINWEISE**

**⚠ WARNUNG:** Verwenden Sie kein Wasser mit mikrobiologisch unsicherem Zustand oder von unbekannter Qualität ohne ausreichende Desinfektion des Systems vor bzw. nach dem Gebrauch. Anlagen, die für die Reduzierung von Krankheitserregern zertifiziert sind, können mit desinfiziertem Wasser verwendet werden, das filterbare Zysten enthält. Chemische und mechanische Reduktionseinheit

**⚠ ACHTUNG:** Die Anlage muss vor Frost geschützt werden, da es sonst zu Rissen und Undichtigkeiten des Filters kommen kann.

### **HINWEIS:**

- Einsatz nur mit Kaltwasser.
- Stellen Sie sicher, dass bei der Installation alle Gesetze und Bestimmungen der Bundesländer und der örtlichen Behörden eingehalten werden.
- Die Anlage muss gemäß den Herstellerempfehlungen gewartet werden; dies gilt auch für den Austausch der Filterkartuschen. Die Verunreinigungen oder anderen Stoffe, die von der ausgewählten Kartusche entfernt oder reduziert werden, sind nicht notwendigerweise in Ihrem Wasser enthalten. Fordern Sie von der lokalen Wasserbehörde eine Kopie ihrer Wasseranalyse an oder lassen Sie Ihr Wasser von einem anerkannten Wassertestlabor prüfen.
- Nach längeren Perioden des Nichtgebrauchs (etwa während eines Urlaubs) wird empfohlen, die Anlage gründlich zu spülen. Lassen Sie das Wasser 5–6 Minuten laufen, bevor Sie es benutzen.
- Die Filterkartuschen für diese Anlage haben eine begrenzte Lebensdauer. Veränderungen im Geschmack oder Geruch und/oder im Durchfluss des gefilterten Wassers zeigen an, dass die Kartusche gewechselt werden sollte.

## **BENÖTIGTE WERKZEUGE UND MATERIAL**

- Schutzbrille
- Verstellbarer Schraubenschlüssel
- Rohrabschneider oder Stanley-Messer
- Handbohrer oder Bohrmaschine (kabellos empfohlen)
- Feile
- 6 mm-Bohreinsatz

Falls das Spülbecken kein Loch für einen zusätzlichen Wasserhahn hat:

- Zentrierkörper
- 19 mm-Bohreinsatz oder Lochsäge
- 2 mm-Bohreinsatz

# INSTALLATION

## HINWEIS:

- Für Standard-Untertischinstallation auf 1/2" 14-MPS-Gewinden oder 3/8" x 3/8"-Überwurfmutter
- Lesen Sie bitte alle Anweisungen und Sicherheitshinweise, bevor Sie Ihr Filtrationssystem installieren und benutzen.
- Die Nummern in den Abbildungen beziehen sich auf die nummerierten Schritte.

## 4. Installation des Adapters für den Wasserzulauf

Der Adapter passt auf 1/2"-14 NPS-Rohrgewinde oder 3/8" x 3/8"-Überwurfmuttern. Wenn es gemäß den örtlichen Vorschriften gestattet ist, kann das Anschlussstück für den Anschluss des Systems an die Kaltwasserleitung verwendet werden. Wenn die örtlichen Vorschriften die Verwendung des Anschlussstücks für die Zuleitung nicht gestatten, können beim örtlichen Lieferanten alternative Anschlussstücke bezogen werden.

- F. Drehen Sie die Kaltwasserleitung zu. Wenn sich unter dem Spülbecken kein Absperrventil für die Kaltwasser-Leitung befindet, müssen Sie ein entsprechendes Ventil installieren.
- G. Drehen Sie den Kaltwasserhahn auf und lassen Sie das Wasser komplett aus der Leitung laufen.
- H. Drehen Sie das Steigrohr des Kaltwasser-Zulaufventils zu.
- I. Vergewissern Sie sich, dass die Dichtungsmanschette gut im Innengewinde des Zulauf-Adapterventils sitzt.
- J. Montieren Sie das Zulauf-Adapterventil auf dem Zulaufventil. Drehen Sie die Gewinde nur von Hand fest.
- K. Schließen Sie das Steigrohr an das Zulauf-Adapterventil an.

**HINWEIS:** Die Konfiguration des Zulauf-Adapters auf Anschlüssen mit 3/8" x 3/8"-Überwurfmutter wird in den Abbildungen 1G-1H dargestellt.

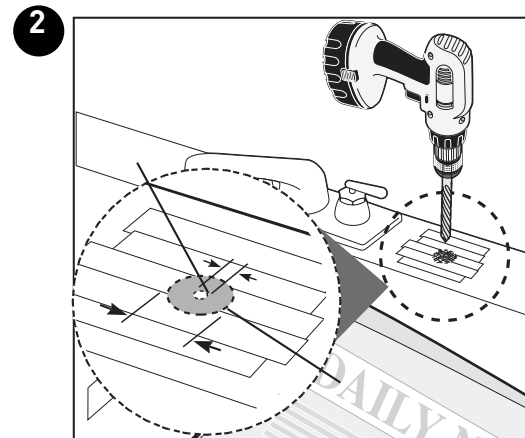
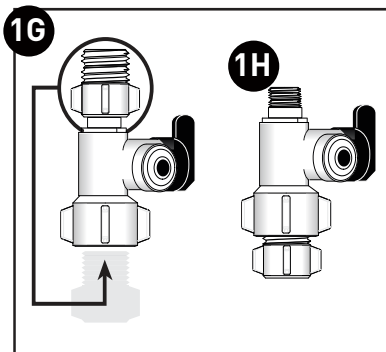
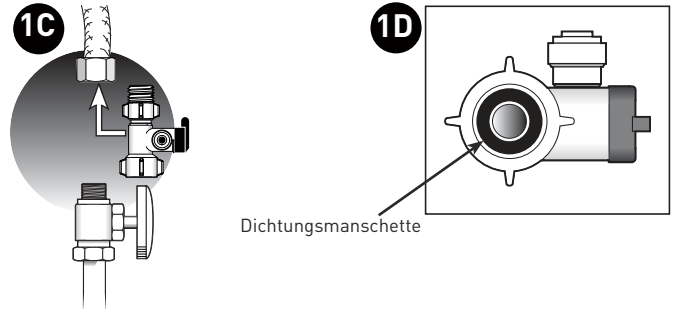
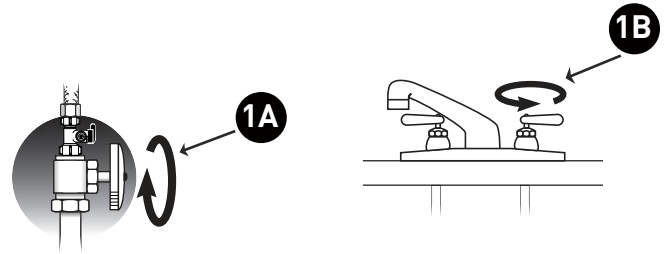
## 5. Auswahl der Montagestelle des Wasserhahns

**HINWEIS:** Die Anbringung des Trinkwasserhahns sollte unter Berücksichtigung der Kriterien: Funktion, Bequemlichkeit und Optik erfolgen. Sie benötigen eine geeignete waagerechte Fläche, damit der Fuß des Wasserhahns sicher steht. Der Wasserhahn passt durch eine Öffnung mit einem Durchmesser von 3/4" (19,05 mm). Die meisten Spülen haben vorgebohrte Löcher mit einem Durchmesser von 1-3/8" (34,93 mm) oder 1-1/2" (38,10 mm), die für die Wasserhahninstallation verwendet werden können. Wenn diese vorgebohrten Löcher nicht benutzt werden können oder sich an einer schlecht zu erreichenden Montagestelle befinden, muss für die Aufnahme des Wasserhahns ein Loch mit einem Durchmesser von 19 mm (3/4") in das Spülbecken gebohrt werden.

**ACHTUNG** Bei diesem Verfahren entsteht Staub, der schwere Reizungen erzeugen kann, wenn er eingeatmet wird oder in Kontakt mit den Augen kommt. Wir empfehlen für diese Arbeiten das Tragen einer Schutzbrille und einer Atemschutzmaske.

**ACHTUNG** VERSUCHEN SIE NICHT, EIN LOCH IN EIN PORZELLANSPÜLBECKEN ZU BOHREN. Montieren Sie den Wasserhahn bei einem Porzellanspülbecken in das vorgebohrte Loch für die Brause oder bohren Sie neben dem Spülbecken ein Loch in die Arbeitsfläche.

**ACHTUNG** Wenn Sie ein Loch in eine Arbeitsfläche bohren, stellen Sie sicher, dass sich unterhalb des Bohrbereiches keine Kabel oder Rohre befinden. Achten Sie darauf, dass Sie genügend Platz haben, um die entsprechenden Anschlüsse an der Unterseite des Hahns herzustellen.



## INSTALLATION FORTSETZUNG

**ACHTUNG** Bohren Sie kein Loch in eine Arbeitsfläche, die über 25 mm dick ist.

**ACHTUNG** Versuchen Sie nicht, ein Loch in eine Arbeitsfläche aus Kacheln, Marmor, Granit oder ähnliche Arbeitsflächen zu bohren. Wenden Sie sich an einen Installateur oder den Hersteller der Arbeitsfläche um Rat oder Hilfe.

- Legen Sie das Spülbecken unten mit einer Zeitung aus, um zu verhindern, dass Metallspäne, Teile oder Werkzeuge in den Abfluss fallen.
- Decken Sie den Bereich, in dem Sie bohren wollen, mit Klebeband ab, um Kratzer zu vermeiden, wenn Sie mit dem Bohreinsatz abrutschen.
- Markieren Sie das Loch mit einem Zentrierkörner. Benutzen Sie einen 6 mm-Bohreinsatz zum Vorbohren.
- Verwenden Sie einen 19 mm-Bohreinsatz, um ein Loch vollständig durch das Spülbecken zu bohren.
- Entgraten Sie scharfe Kanten mit einer Feile.

### 6. Montage des Wasserhahns

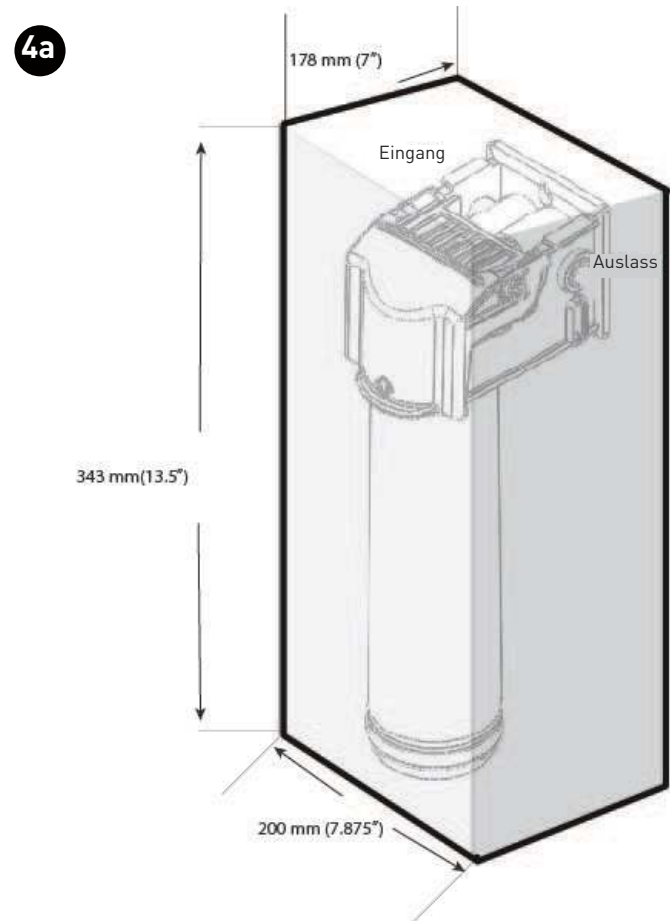
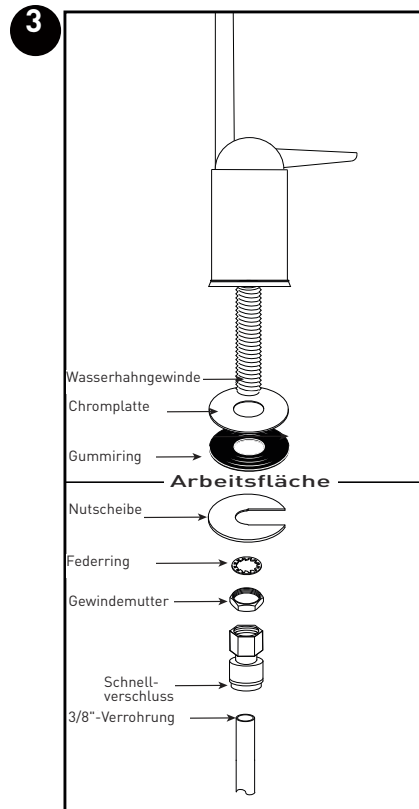
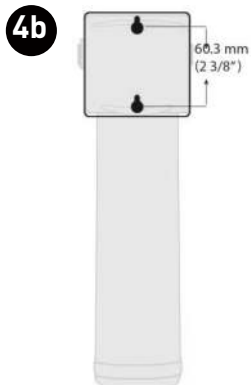
- Umwickeln Sie das Gewinde des Wasserhahns 3–5 Mal mit Teflon-Band.
- Bauen Sie den Wasserhahn gemäß (Abbildung 3) zusammen.
- Bringen Sie am Ende des Wasserhahngewindes eine Schnellverschraubung an.
- Bringen Sie 16 mm von einem Ende des Rohrs eine Markierung an. Befeuchten Sie das Ende des 3/8"-Rohrs und stecken Sie unten in den Anschluss. Die 16 mm-Markierung muss bündig mit dem Verschluss des Anschlusses sein.

**HINWEIS:** Um das Rohr zu entfernen, drücken Sie auf den Verschluss des Fittings und ziehen Sie das Rohr heraus.

- Halten Sie den Wasserhahn und führen Sie die Verrohrung durch die Öffnung im Spülbecken. Positionieren Sie den Wasserhahngriff an der gewünschten Montagestelle.
- Zentrieren Sie den Wasserhahn und die Schlitzscheibe zwischen dem Boden der Arbeitsfläche oder zwischen Spülbecken und Federring. Drehen Sie die Gewindemutter mit einem Schraubenschlüssel an, bis sie fest sitzt.
- Bauen Sie das Rohr fest in den Fuß des Wasserhahns ein.

### 7. Montage des Systems

- Wählen Sie eine Montagestelle unter dem Spülbecken oder eine andere passende Stelle, wo das System installiert werden soll.



## INSTALLATION FORTSETZUNG

**HINWEIS:** Der Karton des Systems kann dazu verwendet werden, um den Arbeitsbereich für die Installation des Systems und die Austauschkartuschen zu bestimmen. (Abbildung 4a)

- B. Montieren Sie das System vertikal. Die Maße in der Abbildung berücksichtigen den Austausch von Kartuschen bzw. der Anlage. Vergewissern Sie sich, dass die Montage eben ist. Verwenden Sie den 2 mm-Bohreinsatz, um Führungslöcher für die Montage zu bohren (Abbildung 4b).

**⚠️ WARNUNG:** Die Anlage sollte auf einer festen, harten Oberfläche montiert werden, die in der Lage ist, das Gewicht der Anlage zu tragen.

### 8. Anschluss des Wasserhahns an das System

- A. Bestimmen Sie die Länge der benötigten blauen Kunststoffverrohrung, um die (rechte) Auslassseite des Filters an den Wasserhahn anzuschließen. Stellen Sie sicher, dass das Rohr lang genug ist, um Knicke zu vermeiden und schneiden Sie es gerade ab. Bringen Sie an einem Ende des Rohrs 16 mm vor dem Ende mit einem Filzstift eine Markierung an (Abbildung 5). Befeuchten Sie das Ende des 3/8"-Rohrs und drücken Sie es bis zur Markierung in den Auslassanschluss (rechts) des Systems.

**⚠️ ACHTUNG:** Biegen oder quetschen Sie das Rohr beim Einführen nicht.

- B. Ziehen Sie vorsichtig am Rohr, um sicherzustellen, dass es fest angeschlossen ist.

### 9. Anschluss des Zulaufadapters

- A. Bestimmen Sie die Länge der weißen Kunststoffverrohrung, die benötigt wird, um die (linke) Zulaufseite des Filters an den an der Eingangskaltwasserleitung installierten Zulaufadapter anzuschließen. Stellen Sie sicher, dass das Rohr lang genug ist, um Knicke zu vermeiden und schneiden Sie es gerade ab. Bringen Sie 16 mm von einem Ende der Verrohrung eine Markierung an. Befeuchten Sie das Ende der Verrohrung. Führen Sie das Ende der Verrohrung in das 3/8"-Fitting des Zulaufadapters ein. Die 16 mm-Markierung sollte bündig mit dem Verschluss des am Zulaufadapter angebrachten Fittings sein (Abbildung 6a).

- B. Markieren Sie das übriggebliebene Ende der Verrohrung. Bringen Sie mit einem Filzstift 16 mm vom Ende eine Markierung an. Befeuchten Sie das Ende des Rohrs. Führen Sie das Ende in den Zulaufanschluss an der (linken) Zulaufseite des Systems ein. Das Rohr sollte bis zur Markierung eingeführt werden. (Abbildung 6b)

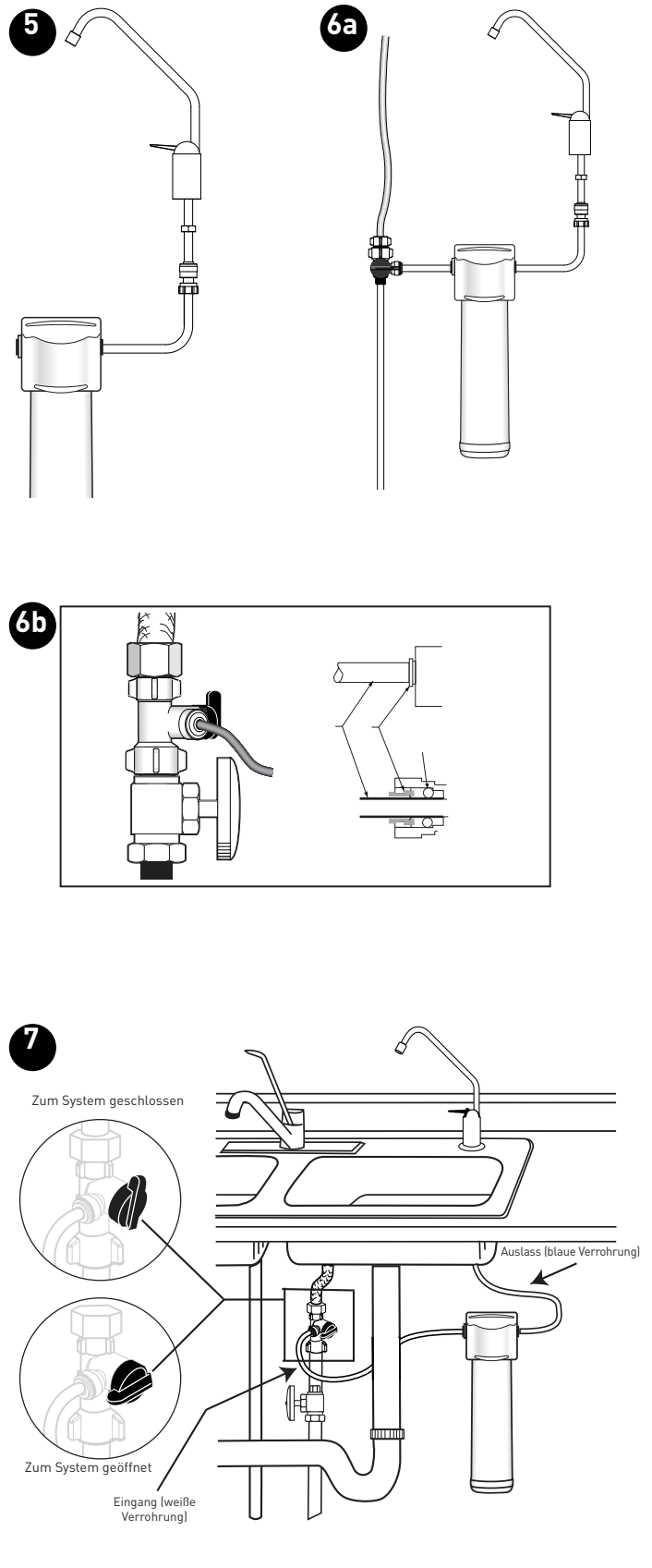
### 10. Inbetriebnahme des Systems

- A. Drehen Sie den Kaltwasserzulauf langsam auf. Vergewissern Sie sich, dass das Zulauf-Adapterventil ebenfalls geöffnet ist.
- B. Öffnen Sie den Wasserhahn und spülen Sie den Filter für 10 Minuten. Entsorgen Sie das Wasser.
- C. Prüfen Sie alle Fittings auf Leckage, bevor Sie die Montage beenden. Wenn Leckage auftritt, siehe Troubleshooting.

**HINWEIS:** Eine Trinkwasserkartusche kann feine Kohlepartikel enthalten (sehr feines schwarzes Pulver). Wenn Kohle-Feinpartikel im Wasser auftreten, entsorgen Sie das Wasser. Beim Auftreten von Kohle-Feinpartikel ist längeres Spülen erforderlich.

**HINWEIS:** Gefiltertes Wasser kann anfangs etwas trübe aussehen. Wenn die Trübung in einem Glas Wasser vom Boden verschwindet, entstehen feine Luftbläschen. Diese Luft im Wasser verschwindet innerhalb weniger Wochen nach der Montage.

DIE INSTALLATION IST JETZT ABGESCHLOSSEN.



## AUSTAUSCH DER FILTERKARTUSCHEN

**HINWEIS:** Die Lebensdauer der Kartuschen hängt von der Wassermenge und der Qualität des Zulaufwassers ab. Es wird empfohlen, die Filterkartuschen alle 6–12 Monate oder bei spürbarer Veränderung von Geschmack, Geruch oder Durchfluss des gefilterten Wassers auszutauschen.

**Vergewissern Sie sich, dass für das System nur passende Kartuschen angeschafft werden.**

Artikel F1000-DFB verwendet die FDF1-RC Ersatzkartusche.

Artikel F1000-B1B verwendet die F1B1-RC Ersatzkartusche.

### 11. Wechsel der Kartusche

- Verringern Sie den Druck, indem Sie den Wasserzulauf zur Anlage abdrehen und einen Wasserhahn öffnen, bis der Wasserfluss endet. Stellen Sie einen Eimer oder legen Sie ein Tuch unter die Anlage, um Wassertropfen aufzufangen (Abbildung 8a).
- Heben Sie den Fixierbügel an, bis sich die Filterkartusche von der Filterkopfgbaugruppe löst (Abbildung 8b).
- Ziehen Sie die Kartusche von der Filterkopfgbaugruppe weg und vergewissern Sie sich, dass sich der Fixierbügel zur Gänze in aufrechter Position befindet (Abbildung 8c).
- Richten Sie die Schlitz auf der Filterkartusche mit der Schlitz in der Filterkopfgbaugruppe aus. Schieben Sie den Kartuschenfilter in Richtung Filterkopfgbaugruppe, wobei sie durch den Fixierbügel nach vorne und unten gedrückt wird (Abbildung 8d).
- Drücken Sie den Fixierbügel nach unten, bis er einrastet (Abbildung 8e).

**HINWEIS:** Die weiteren Schritte finden Sie unter Inbetriebnahme des Systems.

## TROUBLESHOOTING

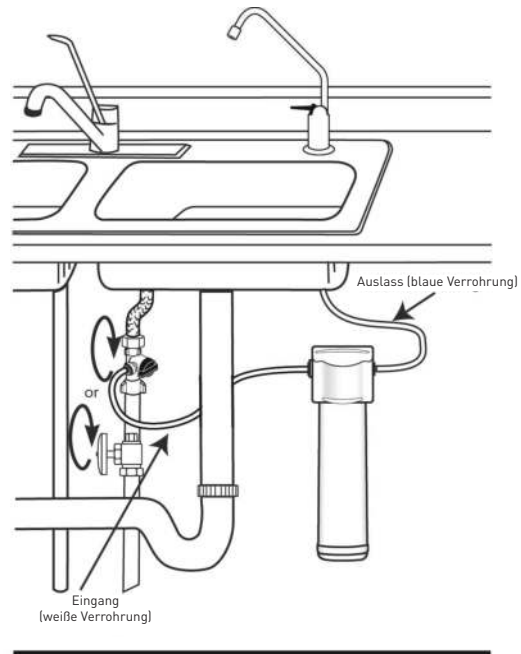
### Leckage zwischen Filterkopfgbaugruppe und Filterkartusche

- Verringern Sie den Druck, indem Sie den Wasserzulauf zur Anlage abdrehen und einen Wasserhahn öffnen, bis der Wasserfluss endet. Stellen Sie einen Eimer oder legen Sie ein Handtuch unter die Anlage, um Wassertropfen aufzufangen.
- Entfernen Sie die Kartusche und kontrollieren Sie die O-Ringe auf Sitz und Sauberkeit.
- Bauen Sie die Filterkartusche ein. Nehmen Sie die Anlage in Betrieb und prüfen Sie auf Leckage. Wenn die Leckage andauert, drehen Sie den Wasserzulauf ab und wenden Sie sich an Ihren Vertriebspartner.

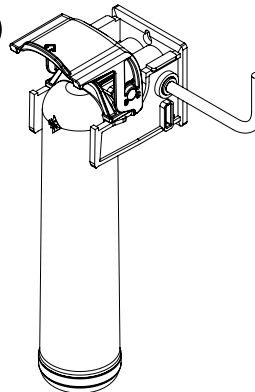
### Leckage bei Verrohrungs-Fittings

- Verringern Sie den Druck, indem Sie den Wasserzulauf zur Anlage abdrehen und einen Wasserhahn öffnen, bis der Wasserfluss endet. Stellen Sie einen Eimer oder legen Sie ein Handtuch unter die Anlage, um Wassertropfen aufzufangen.
- Drücken Sie die Hülse an den Fittings der Anlage oder des Zulaufadapters und ziehen Sie die Verrohrung vom Fitting. Kontrollieren Sie die Oberfläche der Verrohrung auf Kratzer und Fremdkörper. Reinigen oder kürzen Sie die Verrohrung, um eine saubere Oberfläche zu erlangen.
- Befeuchten Sie das Ende der Einlaufsleitung und drücken Sie sie in das Zulauf-Fitting der Anlage. Die Verrohrung muss vollständig über die O-Ringe der Fittings geschoben werden. Nehmen Sie die Anlage in Betrieb und prüfen Sie auf Leckage. Wenn die Leckage andauert, drehen Sie den Wasserzulauf ab und wenden Sie sich an Ihren Vertriebspartner.

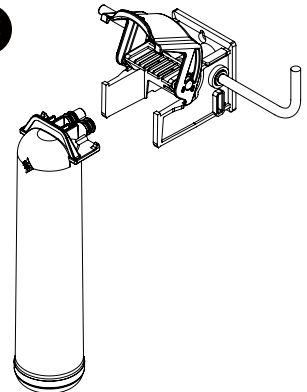
8a



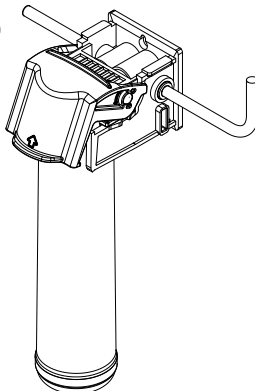
8b



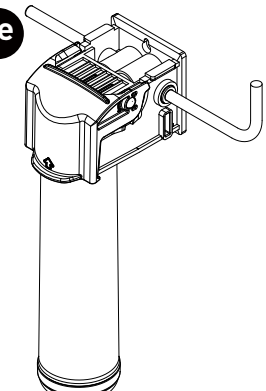
8c



8d



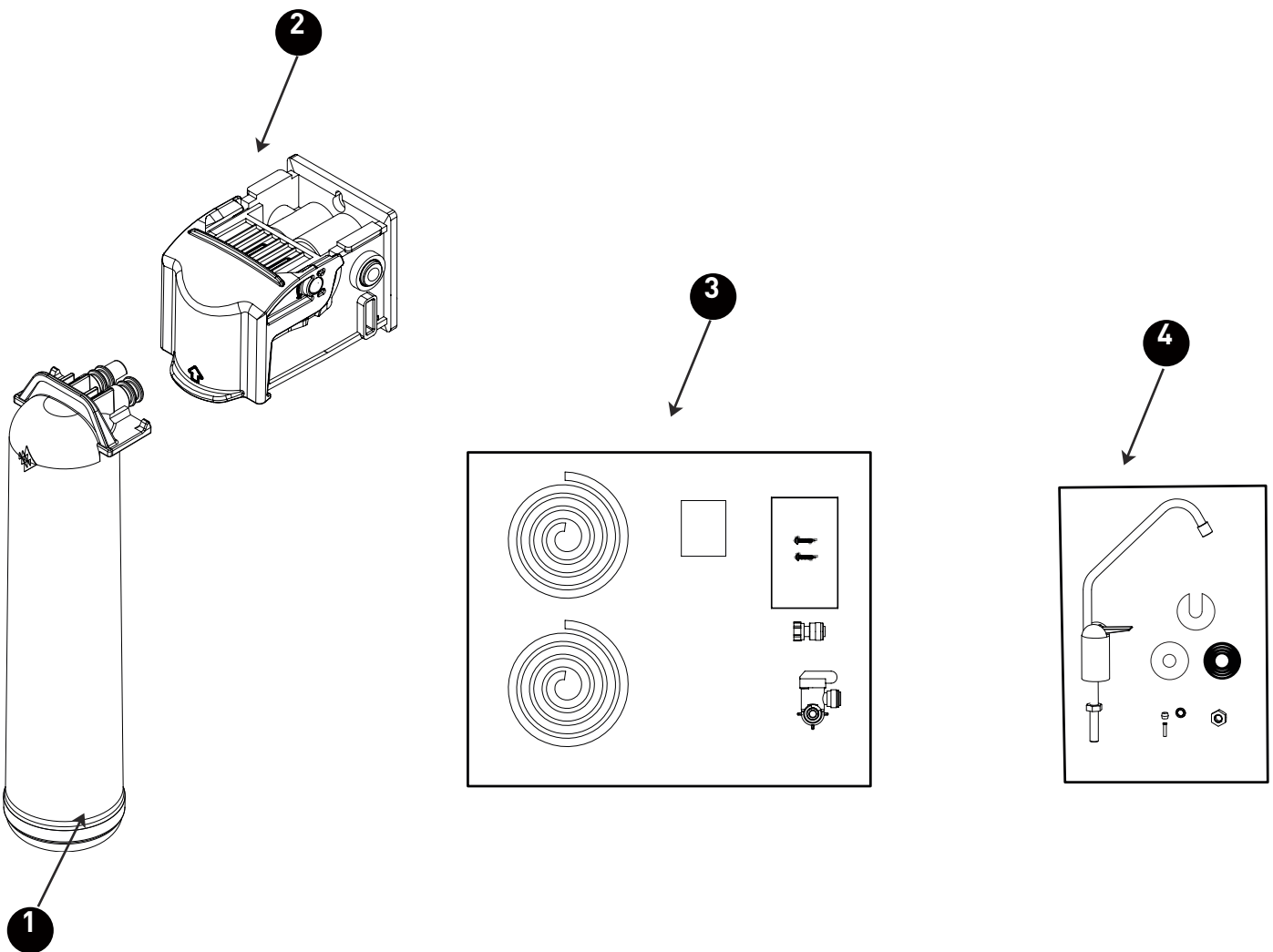
8e



# ERSATZTEILE

OBJEKT-NUMMER	ARTIKELNUM-MER	BESCHREIBUNG	ERFOR-DERLICHE MENGE
1	655123-96	Kartusche, FDF1-RC	1
	655120-96	Kartusche, F1B1-RC	1
2	4004601	Filterkopf, Artikel F1000-DFB	1
	4004602	Filterkopf, Artikel F1000-B1B	1
3	4004294	Installationspaket	1
4	244960*	Wasserhahn	1

\*Die Abbildung kann sich vom tatsächlichen Wasserhahn unterscheiden



Wenn Sie Ersatzteile benötigen, wenden Sie sich an Ihren Pentair-Vertriebspartner.

## LEISTUNGSDATEN

Wichtiger Hinweis: Lesen Sie die Leistungsdaten und vergleichen Sie die Leistungen der Anlage mit Ihren tatsächlichen Wasseraufbereitungsbedürfnissen. Es wird empfohlen, das Zulaufwasser vor der Montage eines Wasseraufbereitungssystems zu testen, um die Wasseraufbereitungsbedürfnisse zu bestimmen.

### Testbedingungen

Durchflussmenge  
 F1000-DFB = 2,83 L/min.  
 F1000-B1B = 2,27 L/min.

### Filterleistung

F1000-DFB = 2.839 L  
 F1000-B1B = 2.839 L  
 Eintrittsdruck = 4,1 bar  
 Temperatur = 20 °C +/- 2,5 °C

Die Prüfungen wurden unter Standardlaborbedingungen durchgeführt; die tatsächliche Leistung kann variieren.

Betriebsbedingungen für die Anlagen F1000-DFB und F1000-B1B:

Druck = 2,75-6,89 bar  
 Temperatur = 4,4-37,8 °C

## F1000-DFB ANLAGE MIT INSTALLIERTER FDF1-RC FILTERKARTUSCHE

Diese Anlage wurde nach NSF/ANSI 42 im Hinblick auf die Reduzierung der nachfolgend aufgeführten Stoffe geprüft. Die Konzentration der angeführten Stoffe im Wasser, das der Anlage zugeführt wird, wurde auf eine Konzentration unterhalb oder gleich des erlaubten und in NSF/ANSI 42 definierten Grenzwerts für Wasser, das aus der Anlage austritt, reduziert.

### Artikel F1000-DFB

Stoff	Belastungskonzentration am Zulauf	Max. zulässige Konzentration im Trinkwasser	Reduzierungsanforderungen	Minimale Reduzierung	Durchschnittliche Reduzierung
Norm 42					
Chlorge-schmack und -geruch	2,0 mg/L ± 10 %		≥50 %		88,8 %

Durchfluss = 2,8 L/min; Kapazität = 2.839 L oder 12 Monate

Die Prüfungen wurden unter Standardlaborbedingungen durchgeführt; die tatsächliche Leistung kann variieren.

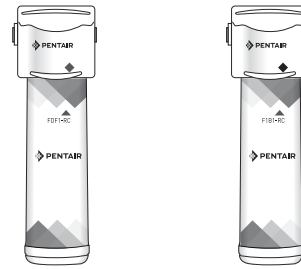


Der Artikel F1000-B1B wurde von NSF International im Hinblick auf die Norm NSF/ANSI 42 und CSA B483.1 auf die Reduzierung der im Leistungsdatenblatt genannten Stoffe getestet und zertifiziert.

## KARTUSCHENABFOLGE

F1000-DFB

F1000-B1B



## F1000-B1B ANLAGE MIT INSTALLIERTER F1B1-RC FILTERKARTUSCHE

Diese Anlage wurde nach NSF/ANSI 42 und 53 im Hinblick auf die Reduzierung der nachstehend aufgeführten Stoffe geprüft. Die Konzentration der angeführten Stoffe im Wasser, das der Anlage zugeführt wird, wurde auf eine Konzentration unterhalb oder gleich des erlaubten und in NSF/ANSI 42 und 53 definierten Grenzwerts für Wasser, das aus der Anlage austritt, reduziert.

### Artikel F1000-B1B

Stoff	Belastungskonzentration am Zulauf	Max. zulässige Konzentration im Trinkwasser	Reduzierungsanforderungen	Minimale Reduzierung	Durchschnittliche Reduzierung
Norm 42					
Chlorge-schmack und -geruch	2,0 mg/L ± 10 %		≥50 %		95,9 %
Schweb-stoffe (0,5- < 1 µm) Klasse I*	mindestens 10.000 Schwebstoffe/ml		>85 %		97,9 %
Norm 53					
Zysten **	Mindestens 50.000/L		99,95 %	99,97 %	99,99 %
Atrazin	0,009 mg/L ± 10 %	0,003 mg/L		90,5 %	93,7 %
Blei (pH 6,5)	0,15 mg/L ± 10 %	0,010 mg/L		99,3 %	99,9 %
Blei (pH 8,5)	0,15 mg/L ± 10 %	0,010 mg/L		99,3 %	99,6 %
Lindan	0,002 mg/L ± 10 %	0,0002 mg/L		94,8 %	97,4 %

Durchfluss = 2,2 L/min; Kapazität = 2.839 L oder 12 Monate

Die Prüfungen wurden unter Standardlaborbedingungen durchgeführt; die tatsächliche Leistung kann variieren.

\* Reduzierung von Partikeln bis 0,5-1 µm Größe durch mechanische Mittel

\*\* Zulassung nach NSF/ANSI Norm 53 für die verminderte Zystenbildung, u. a. Kryptosporidien und Giardia durch mechanische Mittel.



Der Artikel F1000-B1B wurde von NSF International im Hinblick auf die Normen NSF/ANSI 42, 53 und CSA B483.1 auf die Reduzierung der im Leistungsdatenblatt genannten Stoffe getestet und zertifiziert.

EPA Est. 082989-CHN-001



# MANUAL DE INSTRUCCIONES

SYSTEMAS DE  
FILTRACIONES  
F1000-DFB  
F1000-B1B



RESIDENCIAL



## ESPECIFICACIONES

Rango de temperatura:	4,4-37,8 °C
Rango de presión:	2,75-6,89 bar
Caudal de servicio a 4,1 bar:	
Modelo: F1000-DFB	2,83 l/min
Modelo: F1000-B1B	2,27 l/min
Vida útil nominal:	
Modelo: F1000-DFB	2839 l
Modelo: F1000-D1B	2839 l
Dimensiones:	311 mm x 90 mm x 122 mm (12,25" x 3,5" x 4,8")
Peso:	
Modelo: F1000-DFB (sólo sistema)	0,72 kg
Modelo: F1000-D1B (sólo sistema)	0,81 kg

## PIEZAS INCLUIDAS

- Sistema de filtración con cartucho
- Kit de hardware para instalación
- Grifo de agua potable con exento de plomo
- Tuberías de plástico (color blanco y azul) de 3/8"

## PRECAUCIONES

**⚠ ADVERTENCIA:** No usar con aguas microbiológicamente inseguras o de calidad desconocida sin la adecuada desinfección antes o después del sistema. Los sistemas homologados para la reducción de quistes pueden utilizarse en aguas desinfectadas que pueden contener quistes filtrables. Unidad de reducción química y mecánica.

**PRECAUCIÓN** Es necesario proteger el sistema de la congelación, que puede ocasionar grietas en el filtro y escapes de agua.

### NOTA:

- Uso exclusivo para agua fría.
- Asegúrese de que la instalación cumple con todas las normativas y leyes estatales y locales vigentes.
- El mantenimiento del sistema debe realizarse de acuerdo con las recomendaciones del fabricante, incluida la sustitución de los cartuchos del filtro. Los contaminantes u otras sustancias eliminadas o reducidas por el cartucho seleccionado, no tienen porqué encontrarse necesariamente en su agua. Solicite al organismo local responsable del tratamiento de aguas una copia de sus análisis de agua o pida a un laboratorio cualificado que analice su agua.
- Después de períodos prolongados sin uso, como en vacaciones por ejemplo, se recomienda purgar bien el sistema. Deje correr el agua durante 5-6 minutos antes de usar.
- Los cartuchos del filtro utilizados con este sistema tienen una vida útil limitada. Los cambios en el sabor, olor y/o caudal del agua filtrada indican que el cartucho debe sustituirse.

## HERRAMIENTAS Y MATERIALES

### NECESARIOS

- Gafas de seguridad
- Llave inglesa ajustable
- Cortatubos o cuchillo multiusos
- Taladro manual o eléctrico (recomendado inalámbrico)
- Lima
- Broca de taladro de 1/4"

Si el fregadero no dispone de un orificio para un grifo separado:

- Punzón de centrado
- Sierra cilíndrica o broca de taladro de 3/4"
- Broca de taladro de 3/32"

# INSTALACIÓN

## NOTA:

- para una instalación estándar debajo del fregadero con roscadas 1/2" 14 NPS o a conexiones de compresión 3/8" x 3/8"
- Lea todas las instrucciones y precauciones antes de instalar y utilizar su sistema de filtración.
- Los diagramas numerados se corresponden con los pasos numerados.

## 4. Instalación del adaptador de suministro de agua

El adaptador de suministro se adapta a roscadas de suministro de 1/2"-14 NPS o a conexiones de compresión 3/8" x 3/8". Si lo permiten los códigos locales, puede utilizarse para conectar el sistema a la tubería de suministro de agua fría. Si los códigos locales no permiten el uso del adaptador de suministro, podrá obtener conectores alternativos en su proveedor local.

- F. Cierre la tubería de suministro de agua fría. Si la línea de agua fría no dispone de una válvula de cierre bajo el fregadero, debe instalar una.
- G. Cierre el grifo de agua fría para vaciar toda el agua de la tubería.
- H. Desconecte la válvula de suministro de agua fría del tubo vertical.
- I. Asegúrese de que la junta de estanqueidad está totalmente asentada en la rosca hembra de la válvula del adaptador de alimentación.
- J. Instale la válvula del adaptador de alimentación en la válvula de suministro. Solo apriete manualmente.
- K. Conecte el tubo vertical a la válvula del adaptador de alimentación.

**NOTA:** consulte las figuras 1G-1H para configurar el adaptador de alimentación para las conexiones de compresión de 3/8" x 3/8".

## 5. Selección de la ubicación del grifo

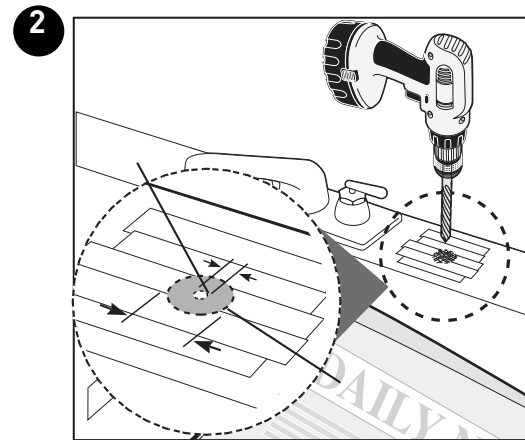
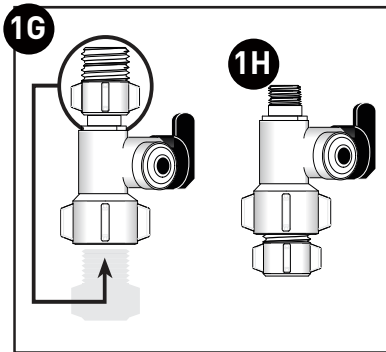
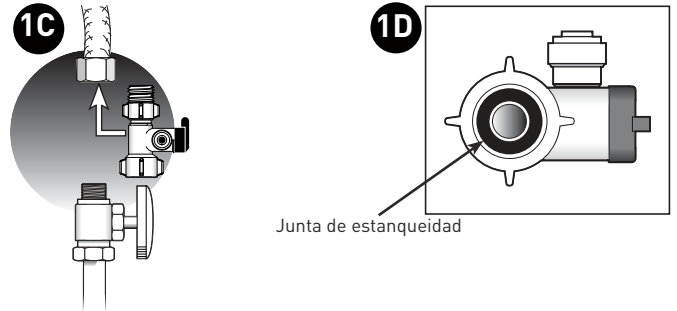
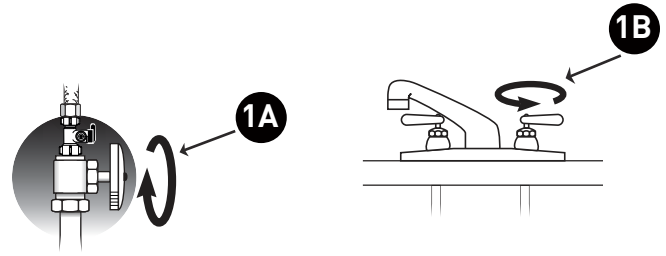
**NOTA:** el grifo de agua potable debe posicionarse pensando en la funcionalidad, la comodidad y el aspecto. Es necesario disponer de una zona plana adecuada para permitir que la base del grifo se apoye firmemente. El grifo se encaja a través de un orificio de 3/4". La mayoría de los fregaderos cuentan con orificios pre-perforados de 1-3/8" o 1-1/2" de diámetro utilizados para la instalación de grifos. Si los orificios pre-perforados no pueden utilizarse o se encuentran en una ubicación incómoda, será necesario perforar un orificio de 3/4" en el fregadero para acomodar el grifo.

**PRECAUCIÓN** Este procedimiento podría generar polvo y ocasionar irritaciones graves al ser inhalado o al entrar en contacto con los ojos. Se recomienda utilizar gafas de seguridad y mascarilla para llevar a cabo este procedimiento.

**PRECAUCIÓN** NO INTENTE PERFORAR FREGADEROS DE PORCELANA. Si posee un fregadero elaborado completamente de porcelana, monte el grifo en el orificio del rociador pre-perforado o perforo la superficie junto al fregadero.

**PRECAUCIÓN** Si perfora un orificio en una superficie, compruebe que la zona situada debajo de la zona a taladrar está libre de cables y tuberías. Compruebe que existe espacio suficiente para conectar correctamente la tubería de suministro de entrada a la parte inferior del grifo.

**PRECAUCIÓN** No perforo superficies con un espesor superior a 1".



## INSTALACIÓN (CONT.)

**PRECAUCIÓN** No intente perforar superficies con mosaico, de mármol, de granito o materiales similares. Consulte a un fontanero o al fabricante de la superficie para obtener asesoramiento o ayuda.

- Forre la parte inferior del fregadero con papel de periódico para evitar que las virutas de metal, piezas o herramientas caigan por el desagüe.
- Coloque cinta adhesiva protectora sobre el área a taladrar para prevenir arañazos si la broca de taladro se desliza.
- Marque el orificio con un punzón de centrado. Utilice una broca de taladro de 1/4" para perforar el orificio piloto.
- Utilice una broca de taladro de 3/4" y haga un orificio a través del fregadero.
- Pula los ángulos rugosos con una lima.

### 6. Montaje del grifo

- Aplique de 3 a 5 tiras de cinta de Teflón al vástago del grifo.
- Monte el grifo como se muestra en (figura 3).
- Atornille la conexión rápida en el extremo roscado del vástago del grifo.
- Realice una marca a 5/8" de un extremo de la tubería azul. Humedezca el extremo del tubo de 3/8" e empújelo en la parte inferior del conector. La marca a 5/8" debe quedar a ras con el collarín del conector.

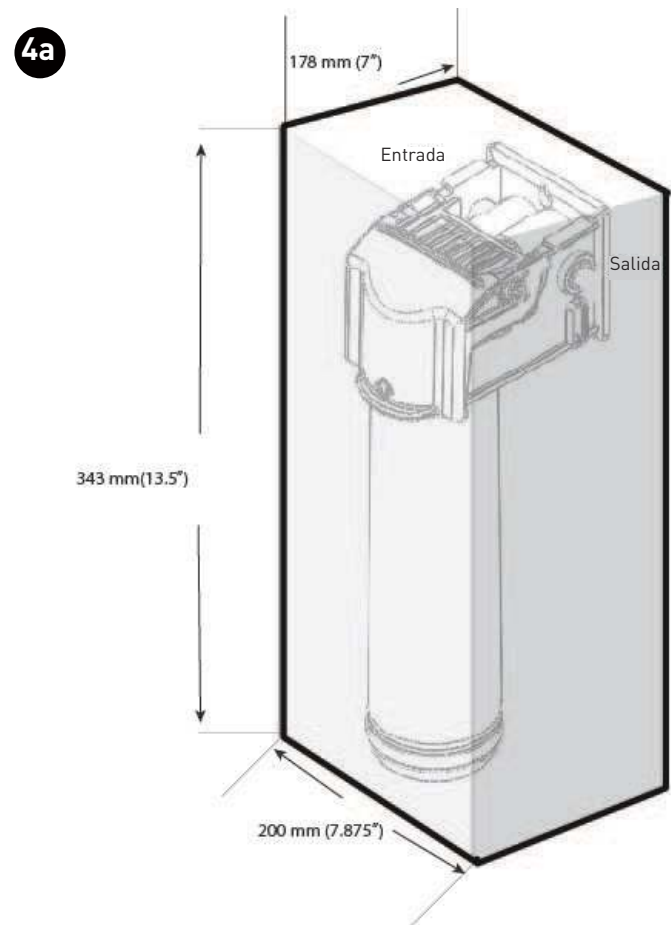
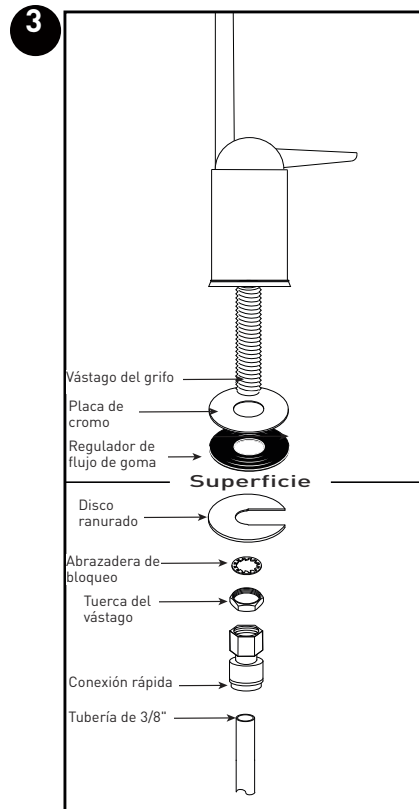
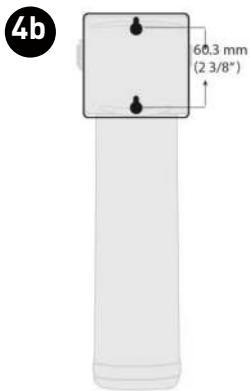
**NOTA:** para extraer el tubo, presione el collarín del racord y retire el tubo.

- Sujetando el grifo, pase la tubería a través del orificio del fregadero. Coloque la llave del grifo en la posición deseada.
- Centre el grifo y deslice el disco ranurado entre la parte inferior de la superficie o del fregadero y la abrazadera de bloqueo. Apriete firmemente la tuerca con una llave inglesa.
- Inserte firmemente el pitorro en la base del grifo.

### 7. Montaje del sistema

- Seleccione una ubicación debajo del fregadero, u otro lugar adecuado, para instalar el sistema.

**NOTA:** la caja del sistema puede utilizarse para determinar el espacio requerido para la instalación del mismo y para los cartuchos de sustitución. (figura 4a)



## INSTALACIÓN (CONT.)

B. Monte el sistema verticalmente. Las dimensiones indicadas en el diagrama permiten la extracción de cartuchos o la del sistema. Asegúrese de que el montaje está nivelado. Utilice la broca de taladro de 3/32" para perforar orificios piloto para la fijación (figura 4b).

**⚠ ADVERTENCIA:** El sistema debe montarse sobre una superficie firme y sólida capaz de soportar el peso del sistema.

### 8. Conexión del grifo al sistema

A. Determine la longitud de la tubería de plástico azul necesaria para conectar el lado de salida (derecho) del filtro con el grifo. Calcule una longitud de tubería suficiente para impedir retorcimientos y corte la tubería en ángulo recto. Utilice un rotulador para marcar un extremo de la tubería a 5/8" del extremo (Figura 5). Humedezca el extremo del tubo de 3/8" e empújelo hasta la marca en la conexión de salida (derecha) del sistema.

**PRECAUCIÓN** No doble ni retuerza el tubo durante la inserción.

B. Retire suavemente el tubo para asegurarse de que está correctamente conectado.

### 9. Conexión del adaptador de suministro

A. Determine la longitud de la tubería de plástico blanca necesaria para conectar el lado de entrada (izquierdo) del filtro con el adaptador del suministro de entrada instalado en la tubería de suministro de agua fría. Calcule una longitud de tubería suficiente para impedir retorcimientos y corte la tubería en ángulo recto. Realice una marca a 5/8" de un extremo de la tubería. Humedezca el extremo de la tubería. Inserte el extremo de la tubería en el racord de 3/8" del adaptador del suministro de entrada. La marca de 5/8" debe quedar al ras del collarín del racord situado en el adaptador del suministro de entrada (Figura 6a).

B. Marque el otro extremo de la tubería. Utilice un rotulador para hacer una marca a 5/8" del extremo. Humedezca el extremo de la tubería. Inserte el extremo en la conexión de alimentación del lado de entrada (izquierdo) del sistema. El tubo debe insertarse hasta la marca. (figura 6b).

### 10. Puesta en funcionamiento del sistema

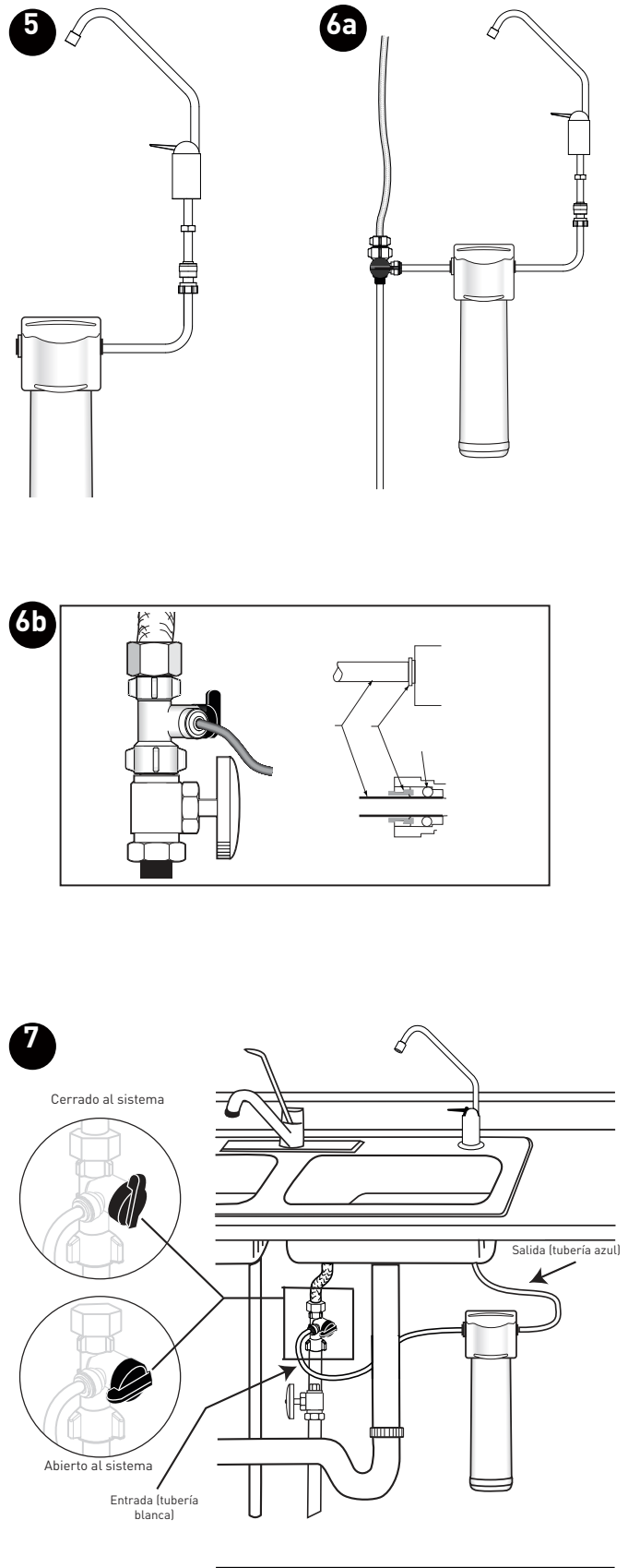
A. Abra lentamente el suministro de agua fría. Asegúrese de que la válvula del adaptador de alimentación está también abierta.

B. Abra el grifo y purgue el filtro durante 10 minutos. Tire el agua.

C. Compruebe los racords por si hubiera fugas. Si detecta fugas, consulte la sección de solución de problemas.

**NOTA:** un cartucho de agua potable puede contener pequeñas partículas de carbón (polvo negro muy fino). Si detecta estas partículas en el agua, deséchela. Si hay partículas de carbón, debe seguir purgando el sistema.

**NOTA:** al principio, el agua filtrada puede parecer turbia. Si la turbidez presente en el vaso de agua desaparece desde el fondo, hay pequeñas burbujas de aire. Este aire contenido en el agua desaparecerá al cabo de pocas semanas de la instalación.



LA INSTALACIÓN SE HA COMPLETADO.

## SUSTITUCIÓN DE LOS CARTUCHOS DEL FILTRO

**NOTA:** la vida útil de los cartuchos del filtro depende del volumen de agua utilizado y de la calidad del agua de alimentación. Se recomienda sustituir los cartuchos del filtro cada 6 meses o cuando se detecte un cambio en el sabor, el olor o el caudal del agua filtrada.

**Asegúrese de adquirir los cartuchos adecuados para el sistema.**

El modelo F1000-DFB utiliza cartuchos de sustitución FDF1-RC

El modelo F1000-D1B utiliza cartuchos de sustitución F1B1-RC

### 11. Sustitución del cartucho

- Libere la presión cerrando el suministro de agua del sistema y abriendo el grifo hasta que el caudal de agua se detenga. Coloque un cubo o un trapo debajo del sistema para recoger las gotas de agua (figura 8a).
- Levante la barra de bloqueo hasta que el cartucho del filtro se suelte del conjunto del cabezal del filtro (figura 8b).
- Extraiga el cartucho del cabezal del filtro y asegúrese de que la barra de bloqueo permanece en su posición más elevada (figura 8c).
- Alinee las puertas del cartucho del filtro con las puertas del conjunto del cabezal del filtro (Figura 8). Deslice el cartucho hacia el conjunto del cabezal del filtro conectando con la barra de bloqueo para que se desplace hacia delante y hacia abajo. (figura 8d).
- Baje la barra de bloqueo hasta que encaje en su posición (figura 8e).

**NOTA:** consulte la sección de puesta en funcionamiento del sistema para proceder con los pasos restantes.

## SOLUCIÓN DE PROBLEMAS

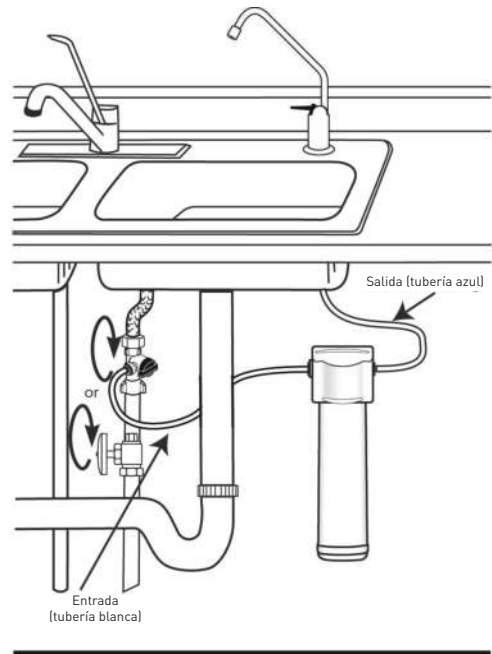
### Fugas entre el conjunto del cabezal del filtro y el cartucho del filtro

- Libere la presión cerrando el suministro de agua del sistema y abriendo el grifo hasta que el caudal de agua se detenga. Coloque un cubo o un trapo debajo del sistema para recoger las gotas de agua.
- Extraiga el cartucho e inspeccione las juntas tóricas para asegurarse de que están limpias y perfectamente asentadas.
- Instale el cartucho del filtro. Ponga en funcionamiento el sistema y compruebe si hay fugas. Si las fugas persisten, cierre el suministro de agua y contacte con su distribuidor.

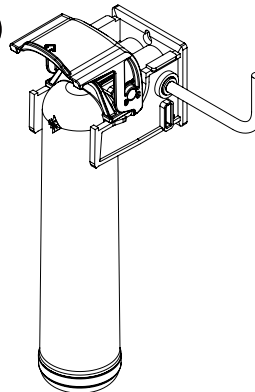
### Fugas de los racords de las tuberías

- Libere la presión cerrando el suministro de agua del sistema y abriendo el grifo hasta que el caudal de agua se detenga. Coloque un cubo o un trapo debajo del sistema para recoger las gotas de agua.
- Presione el collarín del sistema o los racords de las tuberías de los adaptadores del suministro de entrada y extraiga la tubería del racord. Inspeccione la superficie de la tubería en busca de arañazos o residuos. Limpie o corte la tubería para lograr una superficie limpia.
- Humedezca el extremo de la tubería de entrada e introdúzcala a presión en el racord de entrada del sistema. Compruebe que la tubería se inserta sobrepasando las juntas tóricas del racord. Ponga en funcionamiento el sistema y compruebe si hay fugas. Si las fugas persisten, cierre el suministro de agua y contacte con su distribuidor.

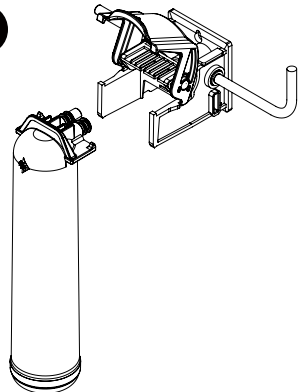
8a



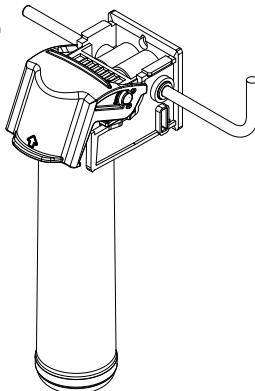
8b



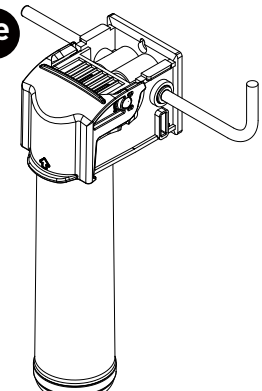
8c



8d



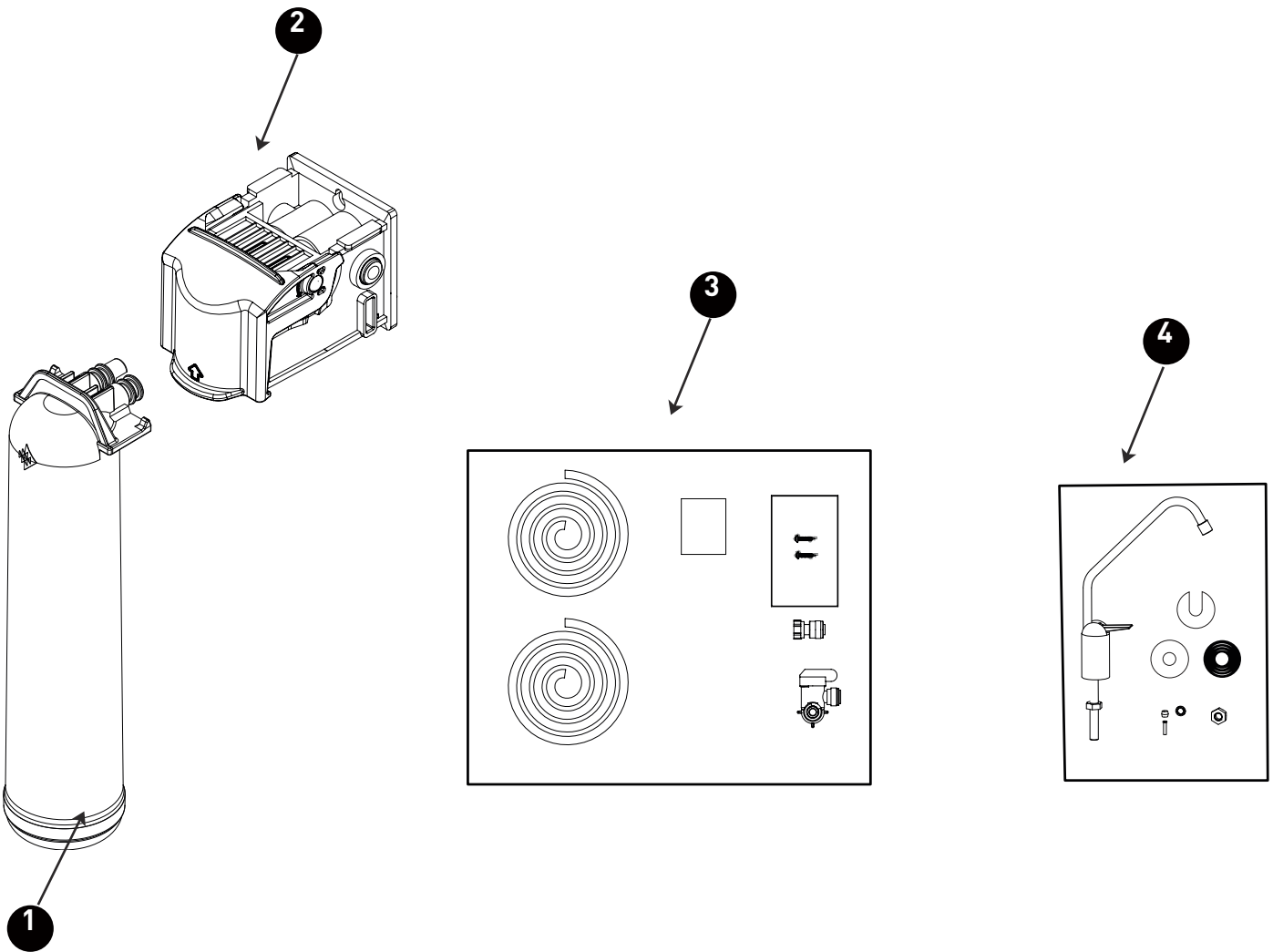
8e



# PIEZAS DE SUSTITUCIÓN

NÚMERO DE ARTÍCULO	REFERENCIA	DESCRIPCIÓN	CANTIDAD REQUERIDA
1	655123-96	Cartucho, FDF1-RC	1
	655120-96	Cartucho, F1B1-RC	1
2	4004601	Cabezal del filtro, modelo F1000-DFB	1
	4004602	Cabezal del filtro, modelo F1000-B1B	1
3	4004294	Kit de instalación	1
4	244960*	Grifo	1

\*La imagen puede ser distinta del grifo real



Para adquirir piezas de sustitución, póngase en contacto con su distribuidor de Pentair más cercano.

## DATOS DE RENDIMIENTO

Aviso importante: lea los datos de rendimiento y compare las capacidades del sistema con sus requisitos reales de tratamiento de agua. Se recomienda analizar el agua de suministro antes de instalar el sistema, para determinar sus necesidades de tratamiento de agua.

### Condiciones de prueba

Caudal

F1000-DFB	= 2,83 l/min
F1000-B1B	= 2,27 l/min

### Capacidad del filtro

F1000-DFB	= 2839 l
F1000-B1B	= 2839 l
Presión de entrada	= 4,1 bar
Temperatura	= 20°C +/- 2,5°C

Las pruebas se realizaron en condiciones estándar de laboratorio; el rendimiento real puede variar.

Requisitos de funcionamiento de los sistemas F1000-DFB y F1000-B1B:

Presión	= 2,75–6,89 bar
Temperatura	= 4,4–37,8°C

## SISTEMA F1000-DFB INSTALADO CON CARTUCHO DE FILTRO FDF1-RC

Este sistema ha superado las pruebas para el cumplimiento de la norma NSF/ANSI 42 para la reducción de las sustancias indicadas a continuación. La concentración de las sustancias indicadas en el agua que entra en el sistema, se redujo a una concentración igual o menor que el límite permitido para el agua que sale del sistema, según las especificaciones de NSF/ANSI 42.

### Modelo F1000-DFB

Sustancia	Concentración de contaminantes en el agua prefiltrada	Concentración de agua producto máxima permitida	Requisitos de reducción	Reducción mínima	Reducción media
Norma 42					
Sabor y olor a cloro	2,0 mg/l ± 10%		>50%		88,8%

Caudal = 2,8 l/m; capacidad = 2839 l o 12 meses

Las pruebas se realizaron en condiciones estándar de laboratorio; el rendimiento real puede variar.

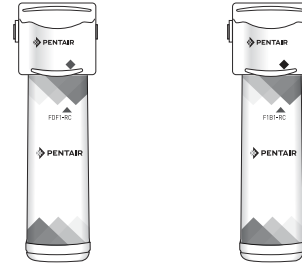


El modelo F1000-DFB está probado y certificado por NSF International bajo la Norma 42 de NSF/ANSI y B483.1 de CSA en cuanto a la reducción de sustancias especificadas en la Hoja de información sobre rendimiento.

## SECUENCIA DEL CARTUCHO

F1000-DFB

F1000-B1B



## SISTEMA F1000-B1B INSTALADO CON CARTUCHO DE FILTRO F1B1- RC

Este sistema ha superado las pruebas para el cumplimiento de las normas NSF/ANSI 42 y 53 para la reducción de las sustancias indicadas a continuación. La concentración de las sustancias indicadas en el agua que entra en el sistema, se redujo a una concentración igual o menor que el límite permitido para el agua que sale del sistema, según las especificaciones de NSF/ANSI 42 y 53.

### Modelo F1000-B1B

Sustancia	Concentración de contaminantes en el agua prefiltrada	Concentración de agua producto máxima permitida	Requisitos de reducción	Reducción mínima	Reducción media
Norma 42					
Sabor y olor a cloro	2,0 mg/l ± 10%		>50%		95,9%
Partículas (0,5-<1µM) Clase 1*	como mínimo 10.000 partículas/ml		>85%		97,9%
Norma 53					
Quistes**	Mínimo 50.000/l		99,95%	99,97%	99,99%
Atrazina	0,009 mg/l ± 10%	0,003 mg/l		90,5%	93,7%
Plomo (pH 6,5)	0,15 mg/l ± 10%	0,010 mg/l		99,3%	99,9%
Plomo (pH 8,5)	0,15 mg/l ± 10%	0,010 mg/l		99,3%	99,6%
Lindano	0,002 mg/l ± 10%	0,0002 mg/l		94,8%	97,4%

Caudal = 2,2 l/m; capacidad = 2839 l o 12 meses

Las pruebas se realizaron en condiciones estándar de laboratorio; el rendimiento real puede variar.

\* Reduce partículas de tan solo 0,5-1 micras por medios mecánicos

\*\* Certificado según la Norma 53 NSF/ANSI para la reducción de quistes como Cryptosporidium y Giardia por medios mecánicos.



El modelo F1000-B1B está probado y certificado por NSF International bajo las Normas 42 y 53 de NSF/ANSI y B483.1 de CSA en cuanto a la reducción de sustancias especificadas en la Hoja de información sobre rendimiento.



# MANUALE DELLE ISTRUZIONI

IMPIANTI DI  
FILTRAZIONE  
F1000-DFB  
F1000-B1B



RESIDENZIALE



## SPECIFICHE

Gamma di temperatura:.....	4,4-37,8 °C
Gamma di pressione:.....	2,75-6,89 bar
Portata d'esercizio @ 4,1 bar:	
Modello: F1000-DFB.....	2,83 l/min
Modello: F1000-B1B.....	2,27 l/min
Vita utile certificata:	
Modello: F1000-DFB.....	2.839 l
Modello: F1000-B1B.....	2.839 l
Dimensioni:.....	311 mm x 90 mm x 122 mm (12,25" x 3,5" x 4,8")
Peso:	
Modello: F1000-DFB (solo impianto).....	0,72 kg
Modello: F1000-B1B (solo impianto).....	0,81 kg

## PARTI COMPRESSE

- Impianto di filtrazione con cartuccia
- Kit hardware di installazione
- Rubinetto dell'acqua potabile senza piombo
- Tubazione di plastica (bianca e blu) da 3/8"

## PRECAUZIONI

**⚠ AVVERTENZA** Non utilizzare il prodotto con acqua microbiologicamente non sicura o di qualità ignota in assenza di un'adeguata disinfezione a monte o a valle dell'impianto. Dispositivi certificati per riduzione di sporocisti possono essere utilizzati su acque disinfettate che possono contenere sporocisti filtrabili.  
Riduttore chimico e meccanico

**ATTENZIONE** L'impianto deve essere protetto contro il gelo, in quanto può provocare la rottura del filtro e perdite d'acqua.

### NOTA:

- Da utilizzare solo con acqua fredda.
- Assicurarsi che l'installazione sia conforme a tutte le leggi e i regolamenti statali e locali.
- La manutenzione dell'impianto deve essere conforme alle raccomandazioni del produttore, anche per quanto riguarda la sostituzione delle cartucce del filtro. I contaminanti o le altre sostanze rimosse o ridotte dalla cartuccia selezionata possono non essere necessariamente presenti nella vostra acqua. Chiedete alle autorità locali una copia delle loro analisi dell'acqua o fate testare la vostra acqua da un laboratorio specializzato affidabile.
- Dopo periodi prolungati di inutilizzo, come ad esempio le vacanze, si raccomanda di lavare accuratamente l'impianto. Lasciare fluire l'acqua per 5 o 6 minuti prima dell'utilizzo.
- Le cartucce del filtro utilizzate in questo impianto hanno una vita limitata. Cambiamenti di sapore, odore e/o flusso dell'acqua filtrata indicano la necessità di sostituire la cartuccia.

## ATTREZZI E MATERIALI NECESSARI

- Occhiali di sicurezza
- Chiave regolabile
- Tagliatubi o taglierino multiuso
- Trapano a mano o elettrico (consigliata la versione senza filo)
- Lima
- Punta trapano da 1/4"

Se il lavello non è dotato di un foro per un rubinetto separato:

- Punteruolo
- Sega circolare a tazza o punta trapano da 3/4"
- Punta trapano da 3/32"

# INSTALLAZIONE

## NOTA:

- Per installazione sottolavello standard su filetti da 1/2" 14 NPS o compressione 3/8" x 3/8"
- Leggere tutte le istruzioni e le precauzioni d'uso prima di procedere all'installazione e all'uso dell'impianto di filtrazione
- Gli schemi numerati corrispondono ai passaggi contrassegnati con le rispettive fasi numerate

## 4. Installazione dell'adattatore di approvvigionamento idrico

L'adattatore è adatto a filetti di approvvigionamento da 1/2" - 14 NPS o compressione 3/8" x 3/8". Se le normative locali lo consentono, può essere utilizzato per collegare l'impianto alla linea dell'acqua fredda. Se le normative locali non consentono l'uso dell'adattatore, connettori alternativi possono essere acquistati dal proprio rivenditore locale.

- F. Chiudere la linea dell'acqua fredda. Se quest'ultima non è dotata di una valvola di chiusura sotto il lavello, occorre installarne una.
- G. Aprire il rubinetto dell'acqua fredda e lasciare che l'acqua scorra via dalla linea.
- H. Scollegare la valvola della linea montante dell'acqua fredda.
- I. Accertarsi che la guarnizione di tenuta sia perfettamente alloggiata nel filetto femmina della valvola dell'adattatore di alimentazione.
- J. Installare la valvola dell'adattatore di alimentazione sulla valvola di approvvigionamento. Serrare esclusivamente a mano.
- K. Collegare il montante alla valvola dell'adattatore di alimentazione.

**NOTA:** Si vedano le figure 1G-1H per la configurazione dell'adattatore di alimentazione alle connessioni con compressione 3/8" x 3/8".

## 5. Selezionare la collocazione del rubinetto

**NOTA:** Il rubinetto dell'acqua potabile deve essere posizionato tenendo in mente funzione, comodità e aspetto esteriore. Un'area adeguatamente piana è richiesta per consentire che la base del rubinetto appoggi in maniera sicura. Il rubinetto è adatto per un foro da 3/4". La maggior parte dei lavelli presenta fori di diametro 1-3/8" o 1-1/2" preforati, adatti all'installazione del rubinetto. Se questi non possono essere utilizzati o sono situati in posizione scomoda, sarà necessario praticare un foro da 3/4" nel lavello per il rubinetto.

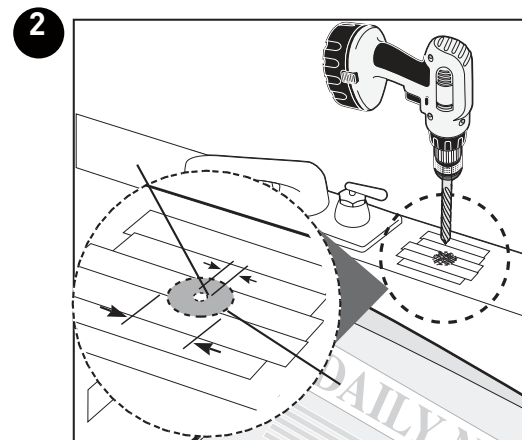
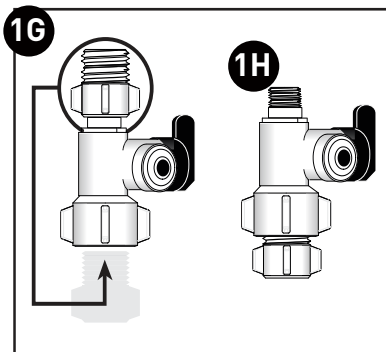
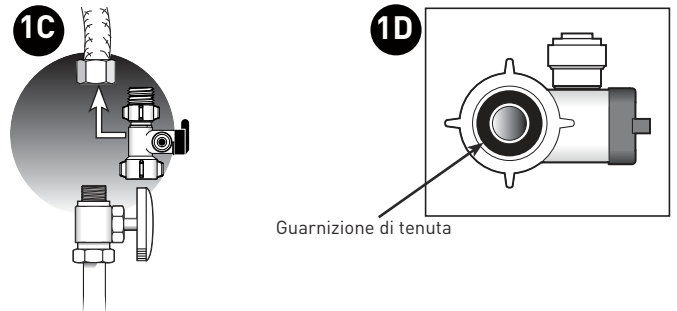
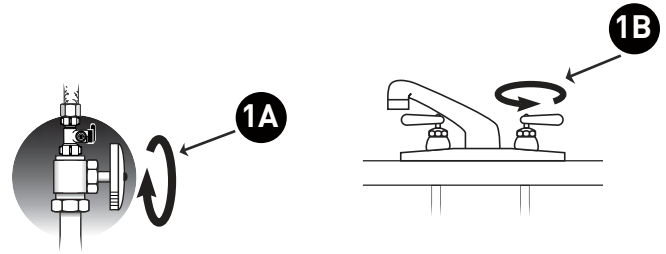
**ATTENZIONE** Questa procedura può generare polveri in grado di causare gravi irritazioni se inalate o se entrano in contatto con gli occhi. Si raccomanda l'uso di occhiali di sicurezza e di una maschera di sicurezza durante questa procedura.

**ATTENZIONE** NON TENTARE DI PRATICARE FORI IN UN LAVELLO IN PORCELLANA O RIVESTITO IN PORCELLANA. Per l'applicazione a questi tipi di lavelli si raccomanda l'uso del foro preesistente o di installare il rubinetto sul piano di lavoro.

**ATTENZIONE** Quando si pratica un foro nel piano di lavoro, assicurarsi che l'area forata sia libera da cavi e tubature. Assicurarsi di avere spazio a sufficienza per poter effettuare i debiti collegamenti sul fondo del rubinetto.

**ATTENZIONE** Non praticare fori in un piano di lavoro dallo spessore superiore a 1".

**ATTENZIONE** Non tentare di praticare fori attraverso un piano di lavoro piastrellato, in marmo, granito o simili. Consultare un idraulico o il fabbricante del piano di lavoro per consigli o assistenza.



## INSTALLAZIONE SEGUE

- A. Foderare il fondo del lavello con fogli di giornale per evitare che trucioli, parti o attrezzi cadano nello scarico.
- B. Collocare del nastro sull'area da forare per evitare graffi qualora la punta per il trapano dovesse scivolare.
- C. Contrassegnare il foro con il punteruolo. Servirsi di una punta per il trapano da 1/4" per praticare il foro guida.
- D. Servirsi di una punta per il trapano da 3/4" per praticare il foro da una parte all'altra del lavello.
- E. Smussare gli angoli grezzi servendosi di una lima.

### 6. Montaggio del rubinetto

- A. Applicare 3-5 strati di nastro in Teflon allo stelo del rubinetto.
- B. Assemblare il rubinetto come mostrato in (figura 3).
- C. Avvitare il connettore rapido sull'estremità filettata del rubinetto.
- D. Apporre un segno a 5/8" dall'estremità della tubazione blu. Bagnare l'estremità della tubazione da 3/8" e inserirla nella parte inferiore del connettore. Il segno a 5/8" deve essere a filo con il collare del connettore.

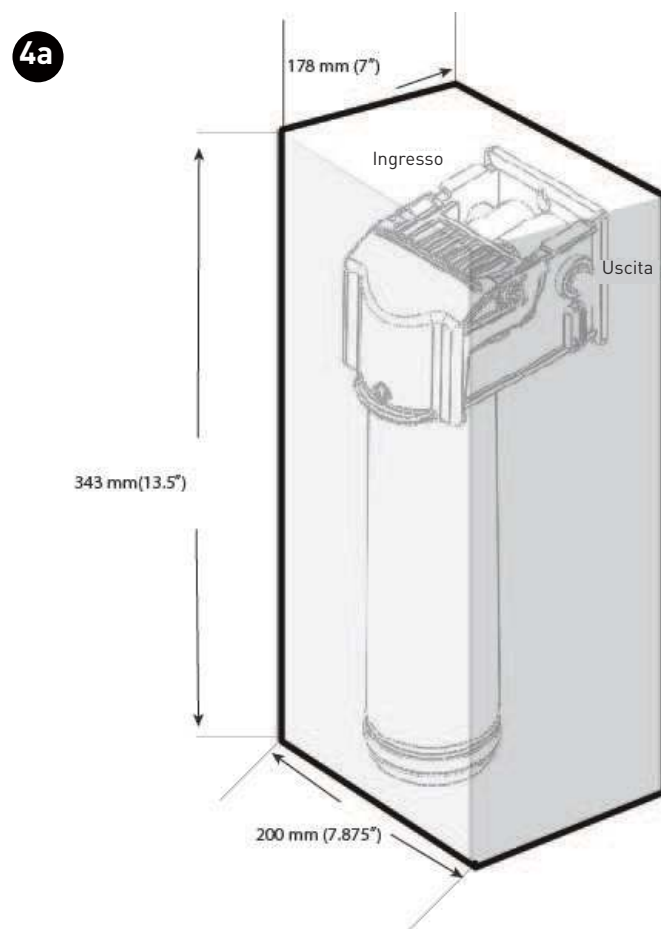
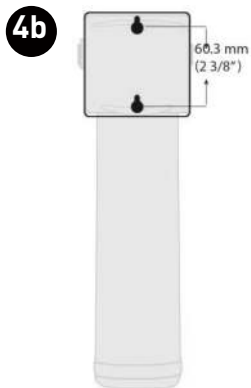
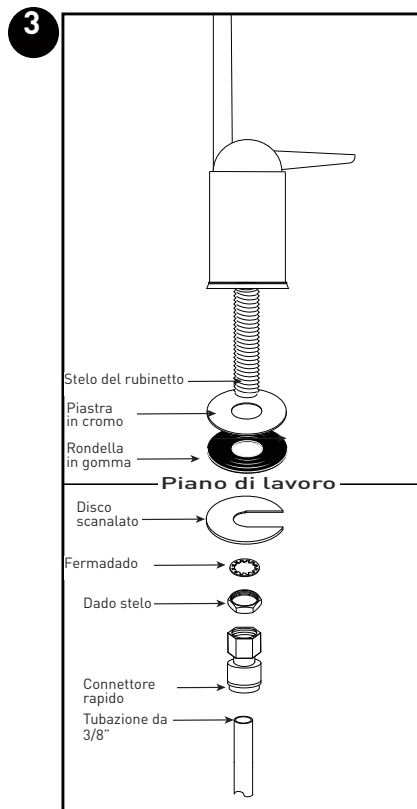
**NOTA: Per rimuovere il tubo, premere sul collare del raccordo ed estrarre il tubo.**

- E. Tenendo il rubinetto, far passare la tubazione nel foro nel lavello. Mettere la maniglia del rubinetto nella posizione desiderata.
- F. Centrare il rubinetto e inserire il disco scanalato fra il fondo del piano di lavoro o del lavandino e il fermadado. Serrare il dado con una chiave fino al serraggio completo.
- G. Inserire stabilmente il collo di cigno nella base del rubinetto.

### 7. Montaggio dell'impianto

- A. Selezionare una posizione sotto al lavello o in uno spazio adatto per installare l'impianto.

**NOTA: La scatola dell'impianto può essere utilizzata per stabilire lo spazio operativo necessario per installare l'impianto e per le cartucce di ricambio (figura 4a).**



## INSTALLAZIONE SEGUE

B. Montare l'impianto verticalmente. Le dimensioni nel diagramma tengono in considerazione la possibilità di rimozione della cartuccia o dell'impianto. Accertarsi che il montaggio avvenga su una superficie piana. Utilizzare la punta per il trapano da 3/32" per creare fori guida per il montaggio (figura 4b).

**AVVERTENZA** L'impianto va montato su una superficie ferma e solida, in grado di sostenerne il peso.

### 8. Collegamento del rubinetto all'impianto

A. Determinare la lunghezza della tubazione in plastica blu necessaria per collegare il lato di uscita (destra) del filtro al rubinetto. Accertarsi di disporre di una tubazione di lunghezza sufficiente a prevenire la formazione di pieghe e tagliarla ad angolo retto. Utilizzare un pennarello per contrassegnare un capo della tubazione a 5/8" dall'estremità (Figura 5). Bagnare l'estremità del tubo da 3/8" e inserirlo nella connessione di uscita (destra) dell'impianto fino al segno.

**ATTENZIONE** Evitare di piegare o far arricciare il tubo inserendolo.

B. Ritrarre delicatamente il tubo per assicurare che sia collegato adeguatamente.

### 9. Collegamento dell'adattatore di approvvigionamento

A. Determinare la lunghezza della tubazione in plastica bianca necessaria per collegare il lato di entrata (sinistro) del filtro all'adattatore di alimentazione installato sulla linea di fornitura dell'acqua fredda. Accertarsi di disporre di una tubazione di lunghezza sufficiente a prevenire la formazione di pieghe e tagliarla ad angolo retto. Apporre un segno a 5/8" dall'estremità della tubazione. Bagnare l'estremità della tubazione. Inserire l'estremità della tubazione nel raccordo da 3/8" dell'adattatore di fornitura in ingresso. Il segno a 5/8" deve essere a livello con il collare del raccordo posizionato sull'adattatore di fornitura in ingresso (Figura 6a).

B. Contrassegnare l'altra estremità della tubazione. Usare un pennarello per apporre un segno a 5/8" dall'estremità. Bagnare l'estremità del tubo. Inserire l'estremità nel raccordo di alimentazione sul lato di entrata (sinistro) dell'impianto. Il tubo va inserito fino al segno (figura 6b).

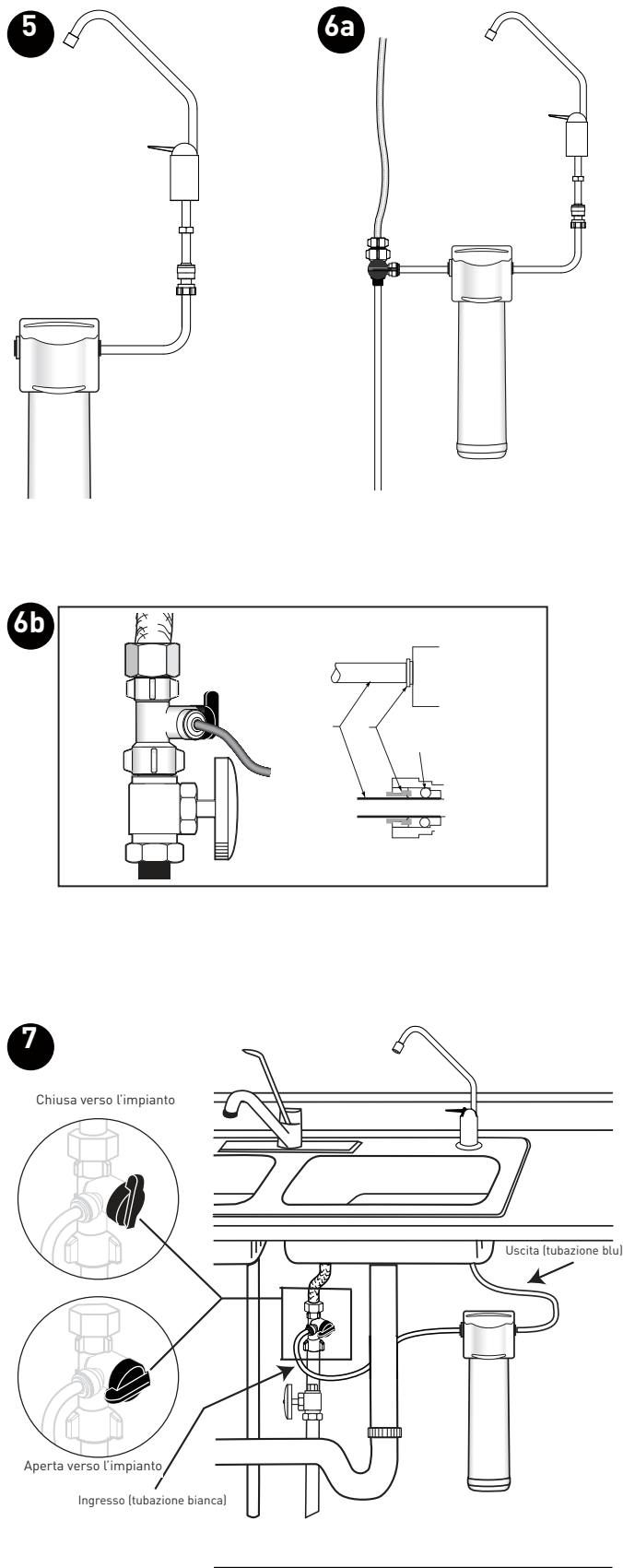
### 10. Messa in funzione dell'impianto

- Attivare lentamente la fornitura dell'acqua fredda. Assicurarsi che anche la valvola dell'adattatore di alimentazione sia aperta.
- Aprire il rubinetto e lavare il filtro per 10 minuti. Scaricare l'acqua.
- Verificare l'eventuale presenza di perdite su tutti i raccordi prima di completare l'installazione. Se vi sono perdite, consultare la sezione Ricerca guasti.

**NOTA:** La cartuccia dell'acqua potabile può contenere particelle di carbonio (polvere nera estremamente fine). Se nell'acqua compaiono particelle di carbonio, buttarla. È necessario lavare di più in caso di presenza di particelle di carbonio.

**NOTA:** Inizialmente, l'acqua filtrata può apparire torbida. Qualora la torbidità in un bicchiere d'acqua scompare dal fondo, sono presenti piccole bolle d'aria. L'aria nell'acqua scomparirà entro qualche settimana dall'installazione.

L'INSTALLAZIONE È TERMINATA.



## SOSTITUZIONE DELLA CARTUCCIA DEL FILTRO

**NOTA:** La durata della cartuccia del filtro dipende dal volume di acqua utilizzato e dalle sostanze contenute nell'acqua di alimentazione. Si consiglia di sostituire la cartuccia del filtro ogni sei - dodici mesi o qualora si verifichi una cambiamento notevole nel sapore, odore o flusso dell'acqua filtrata.

### Acquistare unicamente cartucce adatte all'impianto.

Il modello F1000-DFB utilizza cartucce di ricambio FDF1-RC

Il modello F1000-B1B utilizza cartucce di ricambio F1B1-RC

#### 11. Sostituzione della cartuccia

- Alleviare la pressione interrompendo l'approvvigionamento idrico all'impianto e aprendo il rubinetto finché l'acqua non smette di scorrere. Posizionare un secchio o un asciugamano sotto l'impianto per far fronte a eventuali sgocciolamenti (figura 8a).
- Sollevare il chiavistello finché la cartuccia del filtro non si sgancia dall'assieme testata del filtro (figura 8b).
- Rimuovere la cartuccia del filtro dall'assieme testata del filtro e assicurarsi che il chiavistello rimanga completamente sollevato (figura 8c).
- Allineare i fori della cartuccia del filtro a quelli dell'assieme testata del filtro. Far scivolare il filtro della cartuccia fin dentro all'assieme testata del filtro, finché non si agganci al chiavistello e non lo faccia avanzare e abbassare. (figure 8d).
- Tirare verso il basso il chiavistello finché non scatti in posizione (figura 8e).

**NOTA:** Consultare la sezione **Messa in funzione dell'impianto per i passi successivi.**

## RICERCA GUASTI

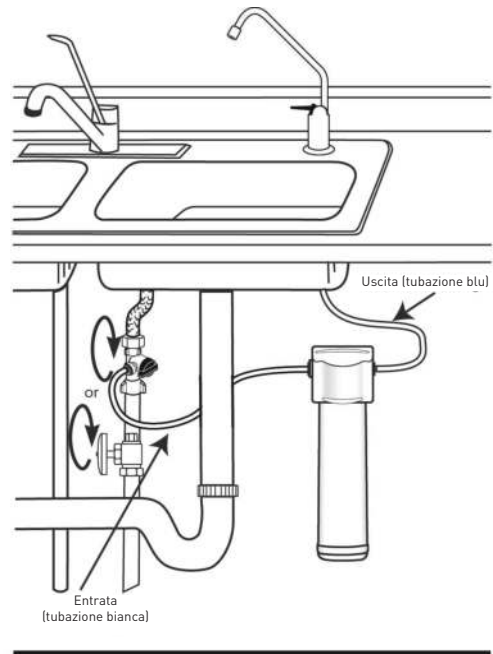
### Perdite fra l'assieme testata del filtro e la cartuccia del filtro

- Alleviare la pressione interrompendo l'approvvigionamento idrico all'impianto e aprendo il rubinetto finché l'acqua non smette di scorrere. Posizionare un secchio o un asciugamano sotto l'impianto per far fronte a eventuali sgocciolamenti.
- Rimuovere la cartuccia e controllare gli O-ring per assicurarsi che siano in posizione e puliti.
- Installare la cartuccia del filtro. Mettere in funzione l'impianto e verificare eventuali perdite. Se continuano a verificarsi perdite, interrompere l'approvvigionamento idrico e contattare il distributore.

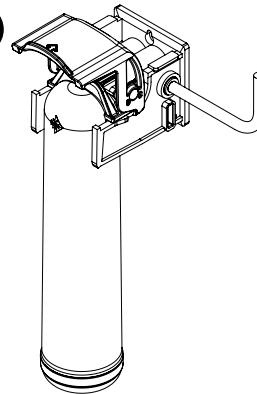
### Perdite dai raccordi della tubazione

- Alleviare la pressione interrompendo l'approvvigionamento idrico all'impianto e aprendo il rubinetto finché l'acqua non smette di scorrere. Posizionare un secchio o un asciugamano sotto l'impianto per far fronte a eventuali sgocciolamenti.
- Premere la boccola verso l'impianto o i raccordi delle tubazioni dell'adattatore di fornitura in ingresso e rimuovere la tubazione dal raccordo. Controllare l'eventuale presenza di graffi o detriti sulla superficie della tubazione. Pulire o accorciare la tubazione fino a ottenere una superficie pulita.
- Bagnare l'estremità della tubazione di entrata e inserirla nel raccordo di entrata dell'impianto. Accertarsi che la tubazione entri fino a superare gli O-ring del raccordo. Mettere in funzione l'impianto e verificare eventuali perdite. Se continuano a verificarsi perdite, interrompere l'approvvigionamento idrico e contattare il distributore.

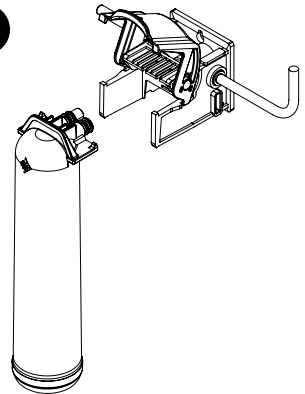
8a



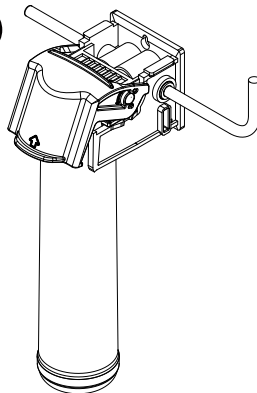
8b



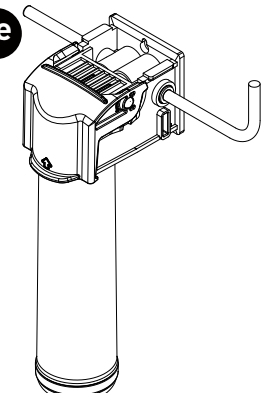
8c



8d



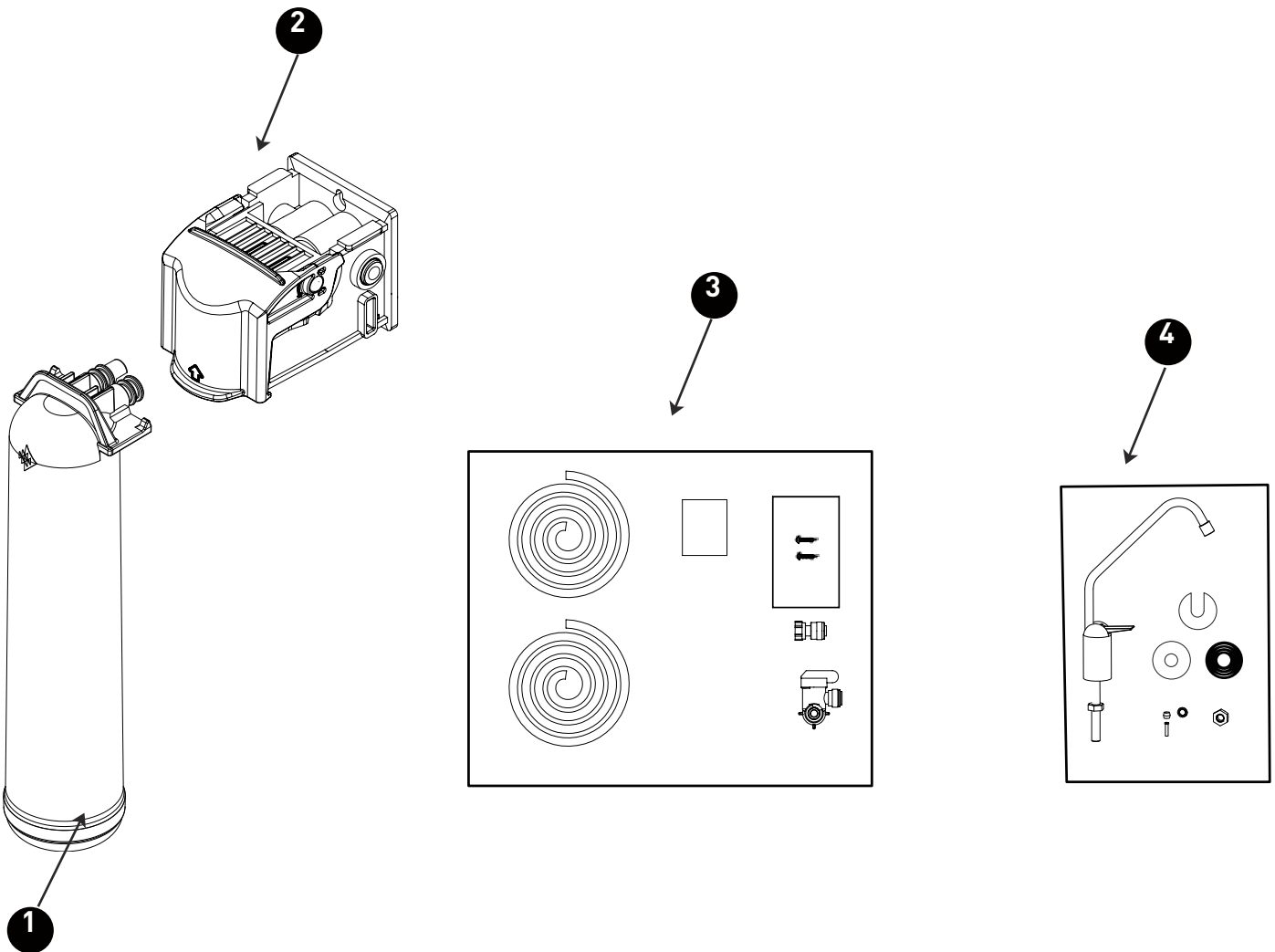
8e



## PARTI DI RICAMBIO

NUMERO ARTICOLO	CODICE PEZZO	DESCRIZIONE	QUANTITÀ RICHIESTA
1	655123-96	Cartuccia, FDF1-RC	1
	655120-96	Cartuccia, F1B1-RC	1
2	4004601	Testata filtro, modello F1000-DFB	1
	4004602	Testata filtro, modello F1000-B1B	1
3	4004294	Kit di installazione	1
4	244960*	Rubinetto	1

\* L'immagine può presentare differenze rispetto al rubinetto reale



Per le parti di ricambio, contattare il proprio distributore Pentair di fiducia.

## PRESTAZIONI

Avvertenza importante: Leggere i dati delle prestazioni e confrontare le capacità dell'impianto con i propri requisiti di trattamento dell'acqua. Si consiglia di testare l'acqua prima di installare un impianto di trattamento acqua, in modo da stabilire le proprie esigenze.

### Condizioni di test

Portata

F1000-DFB	= 2,83 l/min
F1000-B1B	= 2,27 l/min

### Capacità del filtro

F1000-DFB	= 2.839 l
F1000-B1B	= 2.839 l
Pressione in ingresso	= 4,1 bar
Temperatura	= 20 °C +/- 2,5 °C

I test sono stati effettuati in condizioni di laboratorio standard; le prestazioni effettive possono variare.

Requisiti di funzionamento per gli impianti F1000-DFB e F1000-B1B:

Pressione	= 2,75-6,89 bar
Temperatura	= 4,4 - 37,8 °C

## IMPIANTO F1000-DFB INSTALLATO CON CARTUCCIA DEL FILTRO FDF1-RC

Questo impianto è stato testato conformemente a NSF/ANSI 42 per la riduzione delle sostanze elencate sotto. La concentrazione delle sostanze indicate nell'acqua che entra nell'impianto è stata ridotta fino a essere inferiore o pari al limite consentito per l'acqua che esce

dall'impianto, come da specifiche di NSF/ANSI 42.

### Modello F1000-DFB

Sostanza	Concentrazione affluente nell'impianto	Massima concentrazione ammissibile di prodotto nell'acqua	Requisiti di riduzione	Riduzione minima	Riduzione media
Standard 42					
Sapore e odore di cloro	2,0 mg/l ±10%		≥ 50%		88,8%

Portata = 2,8 l/min; capacità = 2.839 l o 12 mesi

I test sono stati effettuati in condizioni di laboratorio standard; le prestazioni effettive possono variare.

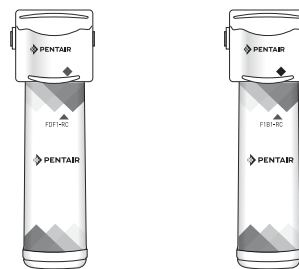


Il modello F1000-B1B è testato e certificato da NSF International in base allo Standard NSF/ANSI 42 e CSA B483.1 per la riduzione delle sostanze elencate nella scheda tecnica delle prestazioni.

## SEQUENZA CARTUCCE

F1000-DFB

F1000-B1B



## IMPIANTO F1000-B1B INSTALLATO CON CARTUCCIA DEL FILTRO F1B1-RC

Questo impianto è stato testato in conformità a NSF/ANSI 42 e 53 per la riduzione delle sostanze elencate di seguito. La concentrazione delle sostanze indicate nell'acqua che entra nell'impianto è stata ridotta fino a essere inferiore o pari al limite consentito per l'acqua che esce dall'impianto, come da specifiche di NSF/ANSI 42 e 53.

### Modello F1000-B1B

Sostanza	Concentrazione affluente nell'impianto	Massima concentrazione ammissibile di prodotto nell'acqua	Requisiti di riduzione	Riduzione minima	Riduzione media
Standard 42					
Sapore e odore di cloro	2,0 mg/l ±10%		> 50%		95,9%
Particolati (0,5 -< 1 µm) Classe 1*	almeno 10.000 particolati/ml		> 85%		97,9%
Standard 53					
Sporocisti **	Minimo 50.000/l		99,95%	99,97%	99,99%
Atrazina	0,009 mg/l ± 10%	0,003 mg/l		90,5%	93,7%
Piombo (pH 6,5)	0,15 mg/l ± 10%	0,010 mg/l		99,3%	99,9%
Piombo (pH 8,5)	0,15 mg/l ± 10%	0,010 mg/l		99,3%	99,6%
Lindano	0,002 mg/l ± 10%	0,0002 mg/l		94,8%	97,4%

Portata = 2,2 l/min; capacità = 2.839 l o 12 mesi

I test sono stati effettuati in condizioni di laboratorio standard; le prestazioni effettive possono variare.

\* Riduce particelle fino a 0,5 - 1 micron con mezzi meccanici

\*\* Lo Standard 53 NSF/ANSI riduce in modo certificato sporocisti come Cryptosporidium e Giardia con mezzi meccanici.



Il modello F1000-B1B è testato e certificato da NSF International in base agli Standard NSF/ANSI 42, 53 e CSA B483.1 per la riduzione delle sostanze elencate nella scheda tecnica delle prestazioni.



# INSTRUCTIE- HANDLEIDING

FILTRATIESYSTEMEN  
F1000-DFB  
F1000-B1B



HUISHOUDELIJK



## SPECIFICATIES

Temperatuurbereik:.....	4,4-37,8 °C
Drukbereik:.....	2,75-6,89 bar
Bedrijfsdebiet @ 4,1 bar:	
Model: F1000-DFB.....	2,83 l/min
Model: F1000-B1B.....	2,27 l/min
Levensduur:	
Model: F1000-DFB:.....	2.839 l
Model: F1000-B1B:.....	2.839 l
Afmetingen: .....	311 mm x 90 mm x 122 mm (12,25" x 3,5" x 4,8")
Gewicht:	
Model: F1000-DFB (enkel systeem) .....	0,72 kg
Model: F1000-B1B (enkel systeem).....	0,81 kg

## BIJGESLOTEN ONDERDELEN

- Filtersysteem met patroon
- Hardwarekit voor de installatie
- Loodvrije drinkwaterkraan
- 3/8" (witte en blauwe) kunststofbuizen

## VEILIGHEIDSVOORSCHRIFTEN

**⚠ WAARSCHUWING** Niet gebruiken met water dat microbiologisch onveilig of van onbekende kwaliteit is zonder een doeltreffende ontsmetting voor of na het systeem. Systemen die gecertificeerd zijn om het aantal cysten te verminderen, mogen gebruikt worden bij ontsmet water dat cysten kan bevatten die met een filter geëlimineerd kunnen worden. Chemische en mechanische reductie-eenheid.

**⚠ OPGELET** Het systeem moet tegen vorst beschermd worden omdat daardoor barsten in de filter en waterlekkage kunnen ontstaan.

### OPMERKING:

- Alleen voor gebruik met koud water.
- Zorg ervoor dat de installatie voldoet aan alle nationale en lokale wetten en voorschriften.
- Het systeem moet onderhouden worden overeenkomstig de aanbevelingen van de fabrikant, inclusief de vervanging van de filterpatronen. Uw water bevat niet per definitie de verontreinigende of andere substanties die de gekozen filterpatroon vermindert of elimineert. Vraag aan uw lokaal waterbedrijf een kopie van zijn wateranalyses, of laat uw water door een betrouwbaar watertestlaboratorium onderzoeken.
- Het is raadzaam het systeem grondig te spoelen nadat het langdurig niet werd gebruikt (bijv. tijdens een vakantie). Laat het water 5-6 minuten stromen voor u het gebruikt.
- De filterpatronen die in dit systeem gebruikt worden, hebben een beperkte levensduur. Veranderingen in de smaak, de geur, de kleur en/of het debiet van het gefilterde water zijn een aanwijzing dat de filterpatroon aan vervanging toe is.

## VEREIST GEREEDSCHAP EN MATERIAAL

- Veiligheidsbril
- Verstelbare Engelse sleutel
- Buisnijder of zakmes
- Mechanische of elektrische boormachine (aanbevolen zonder kabel)
- Vijl
- 1/4" boorstuk

Als de gootsteen niet voorzien is van een opening voor een aparte kraan:

- Doorslag
- 3/4" boorstuk of zaag
- 3/32" boorstuk

# INSTALLATIE

## OPMERKING:

- voor standaardinstallaties onder de gootsteen op 1/2" 14 NPS schroefdraden of 3/8" x 3/8" compressie-aansluitingen
- Gelieve alle instructies en veiligheidsvoorschriften te lezen alvorens uw filtratiesysteem te installeren en in gebruik te nemen.
- De genummerde tekeningen stemmen overeen met de genummerde stappen.

### 4. De watertoevoeradapter monteren

De toevoeradapter past op 1/2" 14NPS schroefdraden of 3/3" x 3/8" compressie-aansluitingen. Indien toegestaan door de lokale wetgeving, mag hij gebruikt worden om het systeem op de koudwatertoevoerleiding aan te sluiten. Verbiedt de lokale wetgeving het gebruik van de toevoeradapter, dan kunt u bij uw lokale distributeur andere aansluitingen vinden.

- F. Draai de koudwatertoevoer dicht. Als de koudwaterleiding niet voorzien is van een afsluitklep onder de gootsteen, moet u er een installeren.
- G. Zet de koudwaterkraan open en laat al het water uit de leiding lopen.
- H. Koppel de koudwatertoevoerleed op de stijgbuis los.
- I. Controleer of de dichtingsring helemaal op de vrouwelijke schroefdraad van de toevoeradapter zit.
- J. Installeer de toevoeradapter op de toevoerleed. Alleen met de hand vastdraaien.
- K. Verbind de stijgbuis met de toevoeradapter.

**OPMERKING:** zie figuren 1G-1H om de toevoeradapter samen te stellen met het oog op 3/8" x 3/8" compressie-aansluitingen.

### 5. De locatie voor de kraan kiezen

**OPMERKING:** hou bij de positie van de drinkwaterkraan rekening met functionaliteit, gebruiksgemak en esthetiek. Om de voet van de kraan stevig te bevestigen is een egale zone vereist. De kraan past door een gat van 3/4". De meeste gootstenen zijn voorzien van voorgeboorde gaten met een diameter van 1-3/8" of 1-1/2" die u voor de installatie van de kraan kunt gebruiken. Als de voorgeboorde gaten niet gebruikt kunnen worden of zich op een ongeschikte locatie bevinden, moet u door de gootsteen een gat van 3/4" voor de kraan boren.

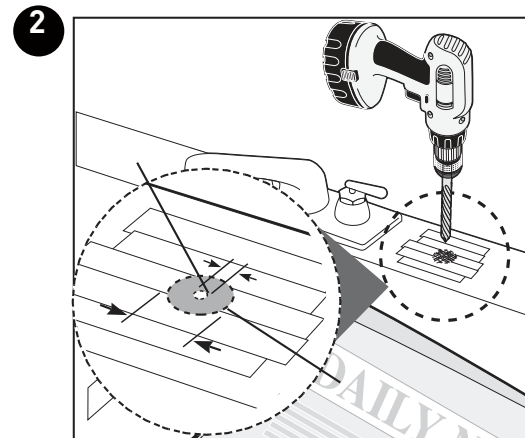
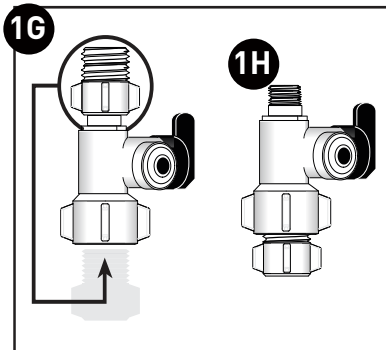
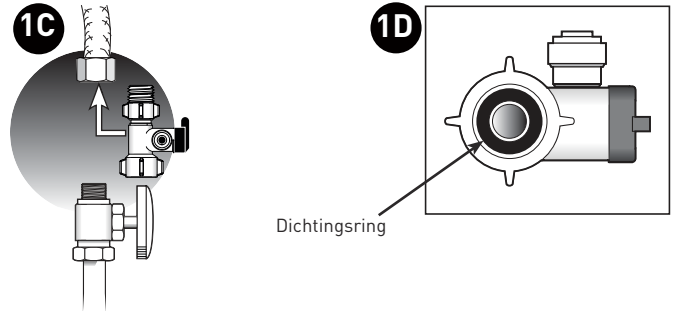
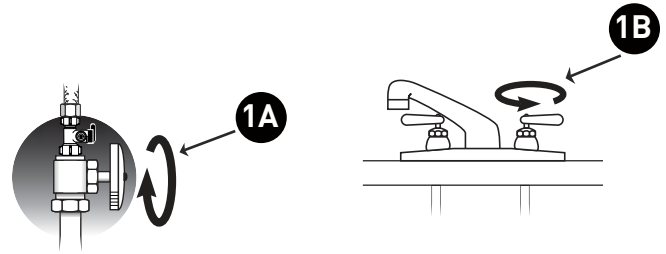
**OPGELET** Tijdens die bewerking kan stof ontstaan dat ernstige irritatie kan veroorzaken als het wordt ingeademd of in contact komt met de ogen. Draag bij voorkeur een veiligheidsbril en een stofmasker.

**OPGELET** **PROBEER GEEN GAT TE BOREN IN EEN GOOTSTEEN VAN PORSELEIN.** Als u een porseleinen gootsteen hebt, monteert u de kraan in een voorgeboord gat of boort u een gat door het werkgebied naast de gootsteen.

**OPGELET** Als u door een werkgebied boort, zorgt u ervoor dat er zich geen kabels of leidingen onder het boorgat bevinden. Verzekert u ervan dat u voldoende ruimte hebt voor een vakkundige aansluiting op de onderkant van de kraan.

**OPGELET** Boor niet door een werkgebied met een dikte van meer dan 2,5 cm.

**OPGELET** Probeer niet door een betegeld, marmeren, granieten of gelijkaardig werkgebied te boren. Neem contact op met een loodgieter of de fabrikant van het werkgebied voor advies of hulp.



## INSTALLATIE - VERVOLG

- Leg een krant op de bodem van de gootsteen om te verhinderen dat metalen boorspaanders, onderdelen of gereedschap in de afvoer vallen.
- Kleef afplaktape op de zone waar u gaat boren, om krassen door het wegglijden van het boorstuk te voorkomen.
- Markeer het gat met een doorslag. Boor voor met een boorstuk van 1/4".
- Gebruik een 3/4" boorstuk om volledig door de gootsteen te boren.
- Vijl de ruwe randen met een vijl.

### 6. De kraan monteren

- Wikkel 3 tot 5 keer Teflon-tape rond de draadstang van de kraan.
- Monteer de kraan zoals getoond in (figuur 3).
- Schroef de snelkoppeling op de schroefdraad onder de voet van de kraan.
- Breng een merkteken aan op 1,5 cm van een uiteinde van de blauwe buis. Maak het uiteinde van de 3/8" buis nat en duw die in de onderzijde van de aansluiting. Het merkteken op 1,5 cm moet gelijk liggen met de kraag van de aansluiting.

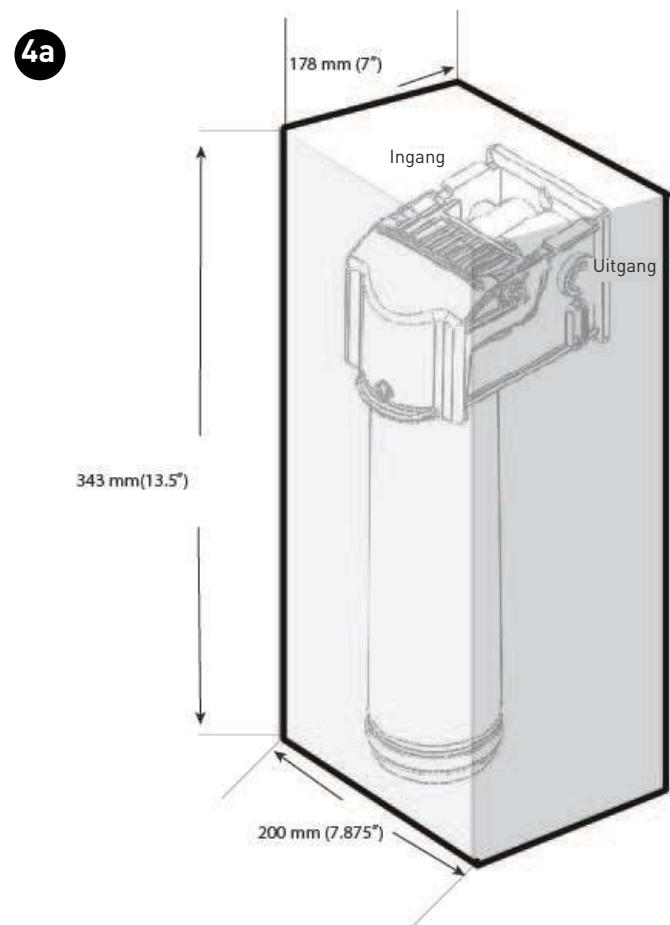
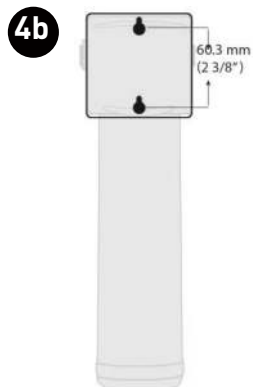
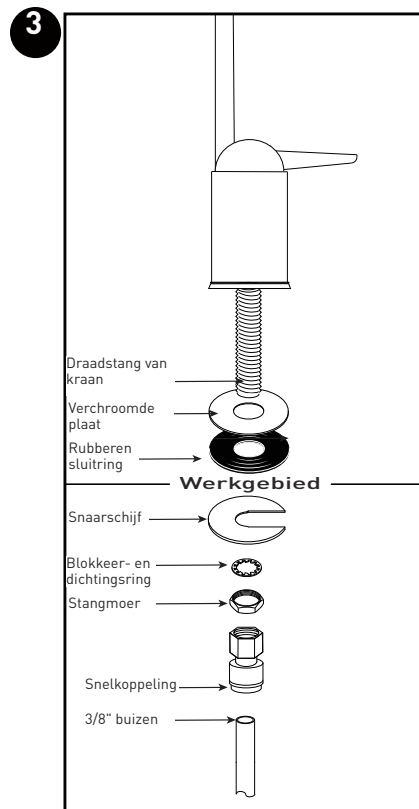
**OPMERKING: om de buis te verwijderen, drukt u op de kraag van de aansluiting en trekt u de buis eruit.**

- Terwijl u de kraan vasthoudt, leidt u de buis door het gat in de gootsteen. Zet de kraanhendel in de gewenste positie.
- Plaats de kraan in het midden en schuif de snaarschijf tussen het werkgebied of de gootsteen en de blokkeer- en dichtingsring. Draai de stangmoer met een Engelse sleutel vast.
- Steek de tuit stevig in de voet van de kraan.

### 7. Het systeem monteren

- Kies een locatie onder de gootsteen of een andere geschikte plek waar het systeem zal worden geïnstalleerd.

**OPMERKING: de kartonnen doos van het systeem kunt u gebruiken om het vloeroppervlak te bepalen dat nodig is om het systeem te installeren en de patronen te vervangen. (figuur 4a)**



## INSTALLATIE - VERVOLG

- B. Monteer het systeem verticaal. Met de in het schema aangegeven afmetingen kan de patroon of het systeem worden verwijderd. Controleer of de montage loodrecht is. Gebruik het 3/32" boorstuk om gaten voor de montage voor te boren (figuur 4b).

**⚠ WAARSCHUWING** Het systeem moet gemonteerd worden op een stevig, hard oppervlak dat het gewicht van het systeem kan dragen.

### 8. De kraan op het systeem aansluiten

- A. Bepaal de lengte van de blauwe kunststofbuis die u nodig hebt om de uitgang (rechts) van de filter op de kraan aan te sluiten. Zorg ervoor dat de buis lang genoeg is om knikken te voorkomen en snij de buis recht af. Breng met een marker op 1,5 cm van een uiteinde van de buis een merkteken aan (figuur 5). Maak het uiteinde van de 3/8" buis nat en duw de buis tot het merkteken in de uitgang (rechts) van het systeem.

**OPGELET** Buig of plooi de buis niet bij het inbrengen.

- B. Trek voorzichtig aan de buis om te controleren of de aansluiting goed is.

### 9. De toevoeradapter aansluiten

- A. Bepaal de lengte van de witte kunststofbuis die u nodig hebt om de ingang (links) van de filter aan te sluiten op de toevoeradapter die op de koudwatertoevoerleiding geïnstalleerd is. Zorg ervoor dat de buis lang genoeg is om knikken te voorkomen en snij de buis recht af. Breng een merkteken aan op 1,5 cm van een uiteinde van de blauwe buis. Maak het uiteinde van de buis nat. Schuif het uiteinde van de buis in de 3/8" koppeling van de voedingsadapter. Het merkteken op 1,5 cm moet samenvallen met de kraag van de koppeling op de toevoeradapter aan de ingang (figuur 6a).
- B. Breng een merkteken aan op het andere uiteinde van de buis. Zet het merkteken met een marker op 1,5 cm van het uiteinde. Maak het uiteinde van de buis nat. Schuif het uiteinde in de koppeling op de ingang (links) van het systeem. De buis moet tot het merkteken naar binnen gaan. (figuur 6b).

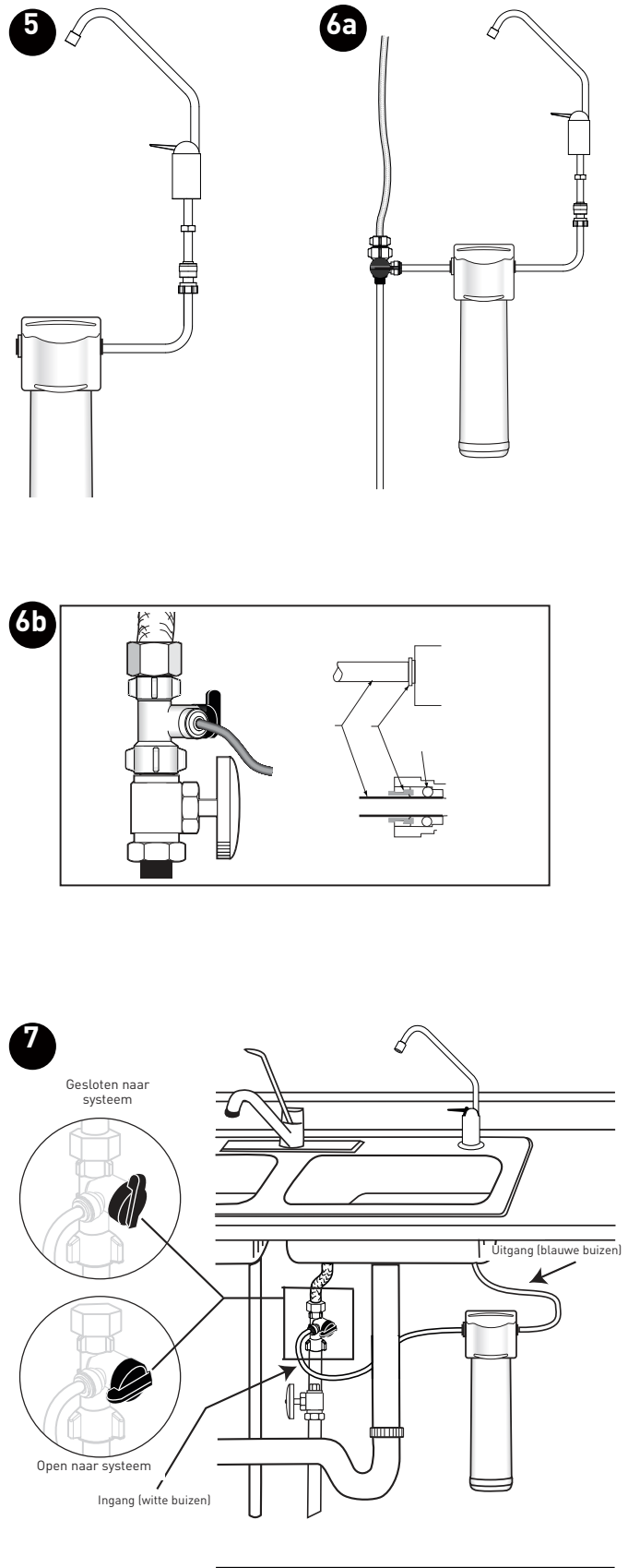
### 10. Het systeem in werking stellen

- A. Draai de koudwatertoevoer langzaam open. Controleer of de klep van de toevoeradapter ook open is.
- B. Open de kraan en spoel de filter gedurende 10 minuten. Laat het water weglopen.
- C. Controleer alle koppelingen op lekken voor u weggaat. In geval van lekken, zie 'Problemen oplossen'.

**OPMERKING:** een drinkwaterpatroon kan koolstofvezels bevatten (zeer fijn zwart poeder). Doe het water weg als er koolstofdeeltjes in zweven. Wanneer het water koolstofdeeltjes bevat, moet het systeem opnieuw worden gespoeld.

**OPMERKING:** in het begin kan het gefilterde water troebel zijn. Als de troebelheid in een glas water vanaf de onderzijde verdwijnt, dan zijn er kleine luchtbelletjes in het water aanwezig. Enkele weken na de installatie zullen er geen luchtbelletjes meer in het water zijn.

DE INSTALLATIE IS NU VOLTOOID.



## FILTERPATRONEN VERVANGEN

**OPMERKING:** de levensduur van de filterpatronen hangt af van het gebruikte watervolume en van de kwaliteit van het ingangswater. Aanbevolen wordt om de filterpatronen elke 6-12 maanden te vervangen of telkens wanneer u een verandering in de smaak, de geur of het debiet van het gefilterde water merkt.

### Controleer of de juiste patroon voor het systeem aangekocht is.

Model F1000-DFB werkt met de FDF1-RC vervangpatroon

Model F1000-B1B werkt met de F1B1-RC vervangpatroon

#### 11. De patroon vervangen

- Laat de druk ontsnappen door de watertoevoer naar het systeem af te sluiten en een kraan te openen tot er geen water meer stroomt. Plaats een emmer of handdoek onder het systeem om eventuele druppels op te vangen (figuur 8a).
- Til de blokkeerbeugel omhoog tot de filterpatroon uit de filterkop komt (figuur 8b).
- Trek de patroon weg uit de filterkop en zorg ervoor dat de blokkeerbeugel volledig omhoog blijft staan (figuur 8c).
- Plaats de lipjes op de filterpatroon in lijn met de poortjes in de filterkop. Schuif de filterpatroon in de filterkop. Maak daarvoor gebruik van de blokkeerbeugel die de patroon naar voren en naar beneden duwt. (figuur 8d).
- Trek de blokkeerbeugel naar beneden tot die op zijn plaats klikt (figuur 8e).

**OPMERKING:** voor de resterende stappen, raadpleegt u 'Het systeem in werking stellen'.

## PROBLEMEN OPLOSSEN

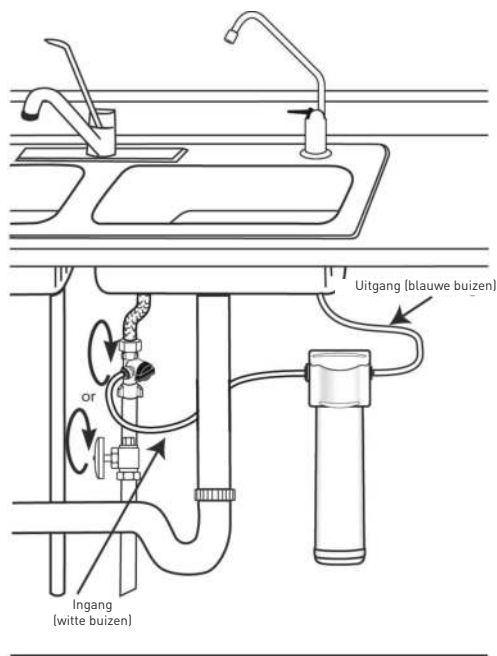
### Lekken tussen filterkop en filterpatroon

- Laat de druk ontsnappen door de watertoevoer naar het systeem af te sluiten en een kraan te openen tot er geen water meer stroomt. Plaats een emmer of handdoek onder het systeem om eventuele druppels op te vangen.
- Verwijder de patroon en controleer of de O-ringen correct op hun plaats zitten en zuiver zijn.
- Installeer de filterpatroon. Stel het systeem in werking en controleer op lekken. Sluit bij aanhoudende lekken de watertoevoer af en neem contact op met uw distributeur.

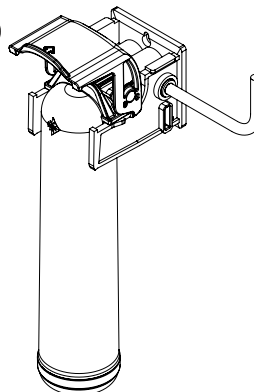
### Lekkage uit buiskoppelingen.

- Laat de druk ontsnappen door de watertoevoer naar het systeem af te sluiten en een kraan te openen tot er geen water meer stroomt. Plaats een emmer of handdoek onder het systeem om eventuele druppels op te vangen.
- Druk op de kraag van het systeem of van de buiskoppelingen van de toevoeradapter en trek de buis uit de koppeling. Controleer het buisoppervlak op krassen of brokstukken. Reinig de buis of snij indien nodig een deel weg.
- Maak het uiteinde van de toevoerbuis nat en druk de buis in de ingangskoppeling van het systeem. Controleer of de buis volledig voorbij de O-ringen van de koppeling geduwd is. Stel het systeem in werking en controleer op lekken. Sluit bij aanhoudende lekken de watertoevoer af en neem contact op met uw distributeur.

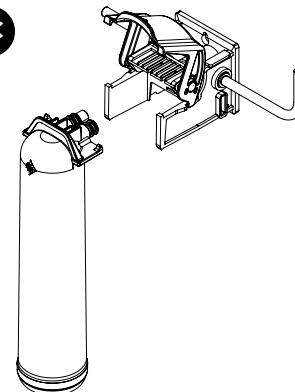
8a



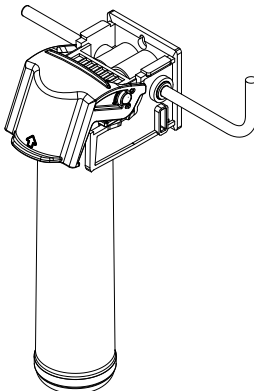
8b



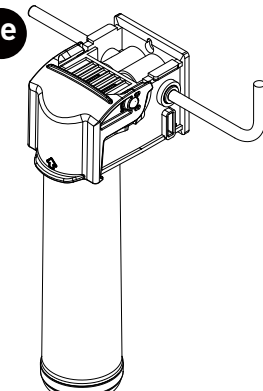
8c



8d



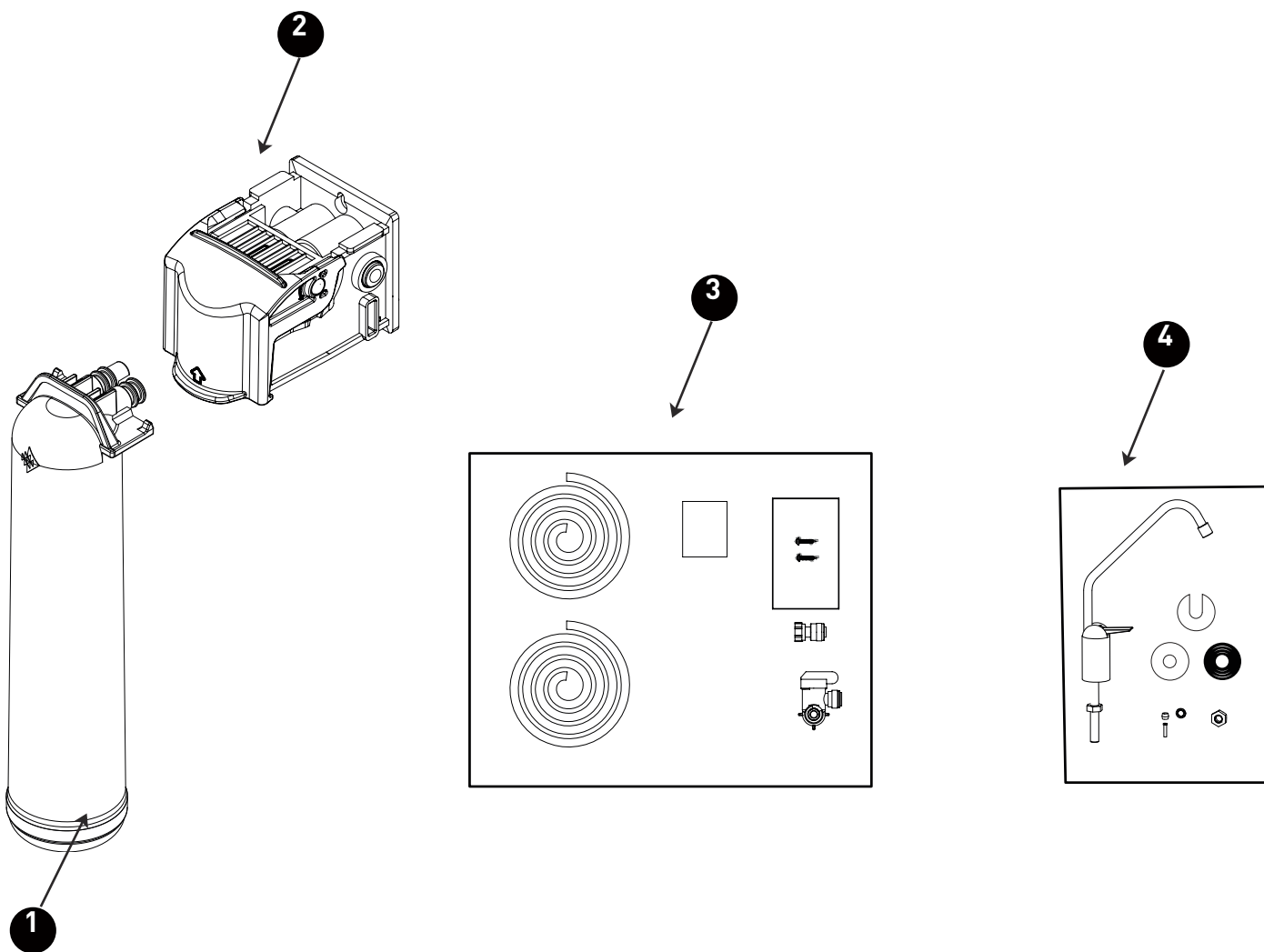
8e



## VERVANGSTUKKEN

ITEM-NUMMER	ARTIKEL-NUMMER	BESCHRIJVING	VEREIST AANTAL
1	655123-96	Patroon, FDF1-RC	1
	655120-96	Patroon, F1B1-RC	1
2	4004601	Filterkop, model F1000-DFB	1
	4004602	Filterkop, model F1000-B1B	1
3	4004294	Installatiekit	1
4	244960*	Kraan	1

\*De feitelijke kraan kan verschillen van die op de illustratie.



Voor vervangstukken neemt u contact op met de dichtstbijzijnde distributeur van Pentair.

## PRESTATIEGEGEVENS

Belangrijke opmerking: lees deze prestatiegegevens en vergelijk de mogelijkheden van het systeem met uw huidige vereisten inzake waterbehandeling. Om uw behoeften op het vlak van waterbehandeling te bepalen, wordt aanbevolen het ingangswater te testen voor u een waterbehandelingsstelsel installeert.

### Testomstandigheden

Debiet	F1000-DFB	= 2,83 l/min
	F1000-B1B	= 2,27 l/min

### Filtercapaciteit

F1000-DFB:	= 2.839 l
F1000-B1B:	= 2.839 l
Druk ter hoogte van de ingang	= 4,1 bar
Temperatuur	= 20 °C +/- 2,5 °C

De tests werden uitgevoerd in genormeerde laboratoriumomstandigheden. De werkelijke prestaties kunnen verschillen.

Bedrijfsvoorwaarden voor de F1000-DFB en F1000-B1B systemen:

Druk	= 2,75 - 6,89 bar
Temperatuur	= 4,4 - 37,8 °C

## F1000-DFB SYSTEEM GEÏNSTALLEERD MET DE FDF1-RC FILTERPATROON

Dit systeem werd overeenkomstig de NSF/ANSI norm 42 getest voor de reductie van de hierna opgesomde stoffen. De concentratie van de aangegeven stoffen in het water dat het systeem binnenstroomt, werd gereduceerd tot een concentratie lager dan of gelijk aan de toelaatbare limiet voor water dat het systeem verlaat, zoals voorgeschreven door de NSF/ANSI norm 42.

### Model F1000-DFB

Stof	Concentratie verontreinigers bij instroom	Maximaal toegelaten concentratie in gefilterd water	Vereiste reductie	Minimum-reductie	Gemiddelde reductie
Norm 42					
Chloor-smaak en -geur	2,0 mg/l ± 10%		≥ 50%		88,8%

Debiet = 2,8 l/min; capaciteit = 2.839 l of 12 maanden

De tests werden uitgevoerd in genormeerde laboratoriumomstandigheden. De werkelijke prestaties kunnen verschillen.



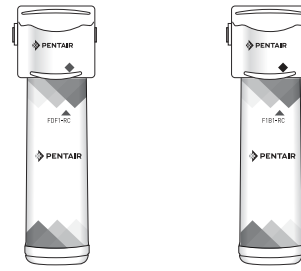
C US

NSF International heeft het model F1000-B1B getest en gecertificeerd volgens de NSF/ANSI norm 42 & CSA B483.1 voor de reductie van de stoffen die bij de prestatiegegevens gespecificeerd zijn.

## PATROONVOLGORDE

F1000-DFB

F1000-B1B



## F1000-B1B SYSTEEM GEÏNSTALLEERD MET DE F1B1-RC FILTERPATROON

Dit systeem werd overeenkomstig de NSF/ANSI normen 42 en 53 getest voor de reductie van de hierna opgesomde stoffen. De concentratie van de aangegeven stoffen in water dat het systeem binnenstroomt, werd gereduceerd tot een concentratie lager dan of gelijk aan de toelaatbare limiet zoals voorgeschreven door de NSF/ANSI normen 42 en 53.

### Model F1000-B1B

Stof	Concentratie verontreinigers bij instroom	Maximaal toegelaten concentratie in gefilterd water	Vereiste reductie	Minimum-reductie	Gemiddelde reductie
Norm 42					
Chloor-smaak en -geur	2,0 mg/l ± 10%		≥ 50%		95,9%
Deeltjes (0,5- < 1µm) Klasse 1*	minstens 10.000 deeltjes/ml		> 85%		97,9%
Norm 53					
Cysten**	Minimum 50.000/l		99,95%	99,97%	99,99%
Atrazine	0,009 mg/l ± 10%	0,003 mg/l		90,5%	93,7%
Lood (pH 6,5)	0,15 mg/l ± 10%	0,010 mg/l		99,3%	99,9%
Lood (pH 8,5)	0,15 mg/l ± 10%	0,010 mg/l		99,3%	99,6%
Lindaan	0,002 mg/l ± 10%	0,0002 mg/l		94,8%	97,4%

Debiet = 2,2 l/min; capaciteit = 2.839 l of 12 maanden

De tests werden uitgevoerd in genormeerde laboratoriumomstandigheden. De werkelijke prestaties kunnen verschillen.

\* Elimineert de allerkleinste deeltjes met een formaat van 0,5-1 micron door middel van mechanische middelen.

\*\* Gecertificeerd volgens de NSF/ANSI Norm 53 om de concentratie cysten zoals Cryptosporidium en Giardia door middel van mechanische middelen te verminderen.



C US

NSF International heeft het model F1000-B1B getest en gecertificeerd volgens de NSF/ANSI normen 42, 53 & CSA B483.1 voor de reductie van de stoffen die bij de prestatiegegevens gespecificeerd zijn.

[www.pentairaquaeurope.com](http://www.pentairaquaeurope.com)

4003609 Rev E OC17

All indicated Pentair trademarks and logos are property of Pentair. Third party registered and unregistered trademarks and logos are the property of their respective owners.  
© 2021 Pentair. All rights reserved.