

TECHNICAL SHEET

STRUCTURAL
LOW PROFILE COMPOSITE
PRESSURE TANK



TECHNICAL SHEET

OUR WEBSITE



STRUCTURAL LOW PROFILE COMPOSITE PRESSURE TANK

SPACE-SAVING DESIGN DELIVERS SAME TANK CAPACITY

The Pentair Structural Low Profile Composite Pressure Tank is the smart choice when space is a challenge and performance is a priority. This composite tank design offers a lower profile with a 5 cm reduction to the flange, allowing it to fit in tighter spaces without compromising media capacity. Its lightweight, fiberglass construction provides durability in harsh chemical environments.

Available in 24x72, 36x72, 42x72 and 48x72 inch tank sizes.

CE Tested under domestic cold: $23 \pm 2^{\circ}\text{C}$

Features

- Reduced tank height and improved flange-to-floor clearance makes pipe connections easier to reach
- No-thread seal design simplifies installation, provides better sealing surface and reduces risk of leaking
- 12 bolt flange pattern allows for easy plumbing alignment
- Quick access to internals through large, 6" flange opening

Material of construction

- Polyethylene inner shell

Operating parameters

- Maximum operating pressure - 10 bar
- Maximum operating temperature - 65°C

Color option

- NA - Natural



Benefits

- More room to maneuver
- 5 cm shorter tank height fits tight spaces
- Same storage capacity vs. standard tanks
- Leak-free performance for any commercial application

Installation tips

- Bolt base to floor
- Calculate height for valve and base combined
- Use vacuum breakers
- Use flexible connectors

Pentair design parameters

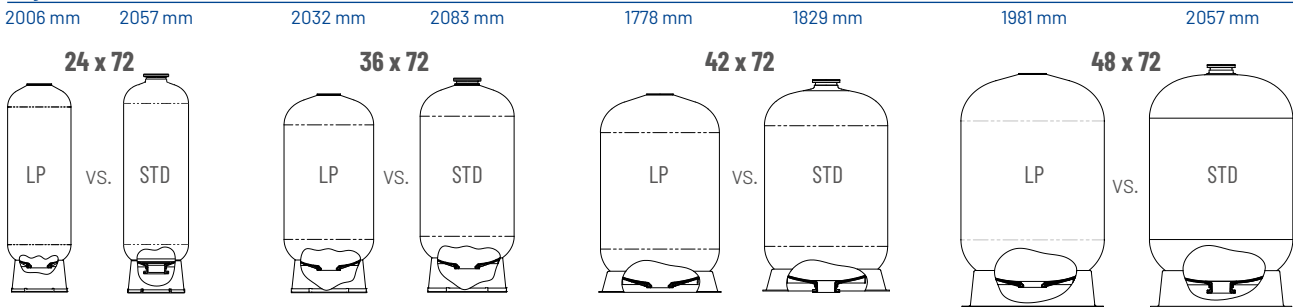
- Safety factor - 4:1
- Minimum burst at 40 bar
- Tested to 250,000 cycles without leakage

LOW PROFILE TANK PART NUMBERS

Part #	Description	Tank height (mm)	Bottom flange clearance (mm)
34816	2472, Comp 6" TLPF 6" BLPF SMC base, SK-5464	2006	228
34805	2472, Comp 6" TLPF 6" BLPF NAT tripod, SK-5462	2184	406
34817	3672, Comp 6" TLPF 6" BLPF SMC base, SK-5456	2032	229
34806	3672, Comp 6" TLPF 6" BLPF NAT tripod, SK-5374	2209	406
34819	4272, Comp 6" TLPF 6" BLPF NAT SMC base, SK-5476	1778	25
34818	4872, Comp 6" TLPF 6" BLPF SMC base, SK-5465	1981	152
34807	4872, Comp 6" TLPF 6" BLPF NAT tripod, SK-5463	2260	432

HEIGHT AND FLANGE CLEARANCE COMPARISON – LOW PROFILE VS STANDARD FLANGE

Height

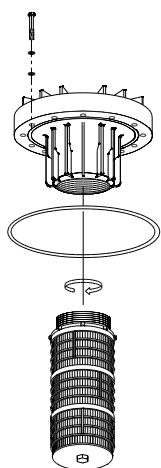


Clearance

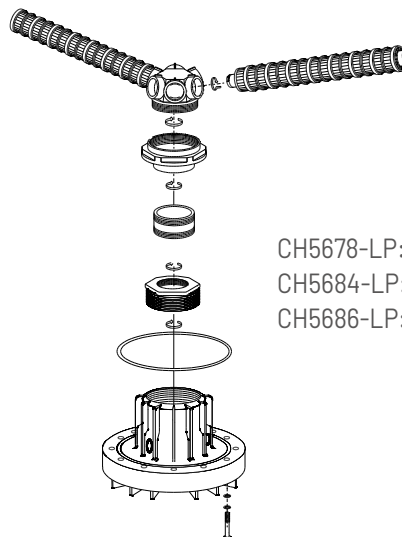


DISTRIBUTION KITS

Part #	Description
CH5679-LP	Top mount diffuser low profile flange 24" - 48" tanks
CH5678-LP	Bottom mount hub & lateral low profile flange 21" - 24" tanks
CH5684-LP	Bottom mount hub & lateral low profile flange 36" tanks
CH5686-LP	Bottom mount hub & lateral low profile flange 42" - 48" tanks



CH5679-LP: 24"-48" tanks



CH5678-LP: 21"-24" tanks

CH5684-LP: 36" tanks

CH5686-LP: 42"-48" tanks

All kits include flange adapter, o-ring and bolt kits

www.pentairaqueurope.com